



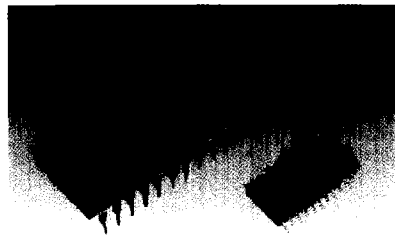
DC MEASUREMENT ADCs



Device	Resolution	Output Rate	INL	DNL	Power Dissipation	Supply Voltage	Package
AK5505-VP	16	60Hz	0.0015%	±1/8LSB	300uA (1uA)	+5V(Digital) +5/10V single or ±5V (Analog)	24 pin DIP
AK5505-VS				24 pin SOP			
AK5506-VP	20	60Hz	0.0015%	19bit	300uA (1uA)	+5V(Digital) +5/10V single or ±5V (Analog)	24 pin DIP
AK5506-VS				24 pin SOP			
AK5543-VS	20	100Hz	0.003%	20bit	300uA (0.1uA)	+3.0~4.0V	24 pin SOP
AK5545-VS	20	160Hz	0.0015%	20bit	300uA (0.1uA)	+4.5~5.5V	24 pin SOP

AK5505/06

16/20bit Ultra Low Power $\Delta\Sigma$ ADC



- ① Self Calibration Circuit
- ② Very low power consumption: 300uA (1uA at power down)
- ③ 4ch inputs
- ④ Output Rate: 60Hz
- ⑤ INL: 0.0015%
- ⑥ DNL: ±1/8LSB (AK5505)/No Missing Code (AK5506)
- ⑦ Serial Interface
- ⑧ Package: 24 pin DIP/SOP

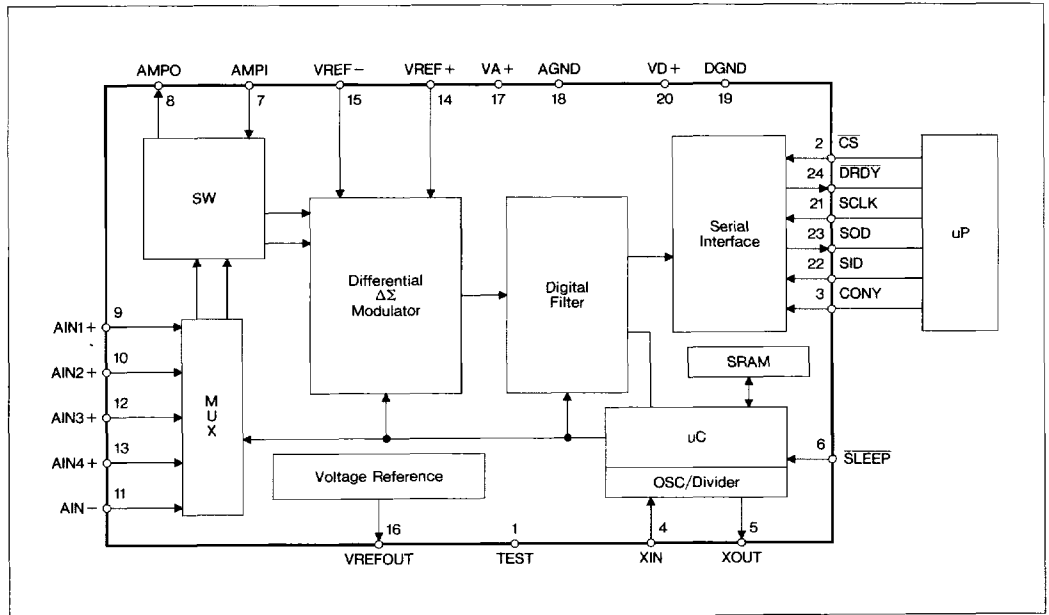
24pin DIP (31.8×13.7×3.8mm)

24pin SOP (8.4×15.8×2.5mm)

AK5543/45

20bit Ultra Low Power $\Delta\Sigma$ ADC

- ① Self Calibration Circuit
- ② Very low power consumption: 300uA (0.1uA at power down)
- ③ Low Operation Voltage: 3.5V (AK5543)/5.0V (AK5545)
- ④ 4ch inputs
- ⑤ Output Rate: 160Hz (AK5545)/100Hz (AK5543)
- ⑥ INL: 0.003% (AK5543)/0.0015% (AK5545)
- ⑦ DNL: No Missing Code
- ⑧ On Chip Clock Divider
- ⑨ External AMP Interface
- ⑩ Serial Interface
- ⑪ Package: 24 pin SOP (8.4×15.8×2.5mm)



AK5543/45 BLOCK DIAGRAM