

LM566 Series Voltage Controlled Oscillators

REFERENCE TABLE

Code	Stock No.
LM566H	31138F
LM566CH	31139E
LM566CN	31140G

GENERAL DESCRIPTION

The LM566/LM566C are general purpose voltage controlled oscillators which may be used to generate square and triangular waves, the frequency of which is a very linear function of a control voltage. The frequency is also a function of an external resistor and capacitor. The LM566 is specified for operation over the -55°C to $+125^{\circ}\text{C}$ military temperature range. The LM566C is specified for operation over the 0°C to $+70^{\circ}\text{C}$ temperature range.

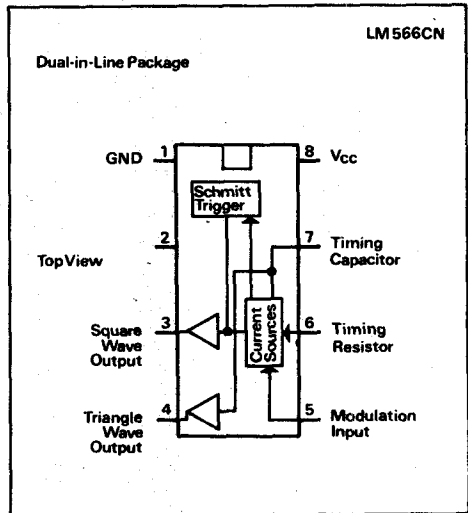
FEATURES

- Wide supply voltage range: 10 to 24 volts
- Very linear modulation characteristics
- High temperature stability
- Excellent supply voltage rejection
- 10 to 1 frequency range with fixed capacitor.
- Frequency programmable by means of current, voltage, resistor or capacitor.

ABSOLUTE MAXIMUM RATINGS

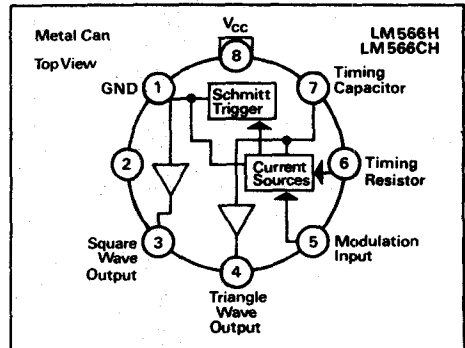
Power supply voltage	26V
Power dissipation (Note 1)	300mW
Operating Temperature Range	
LM566	-55°C to $+125^{\circ}\text{C}$
LM566C	0°C to $+70^{\circ}\text{C}$
Lead Temperature (Soldering, 10 sec)	300°C

CONNECTION DIAGRAM



See outline drawing No. 103 for dimensions.

CONNECTION DIAGRAM



See outline drawing No. 97 for dimensions.

MANUFACTURER'S CURRENT LIST PRICES ARE ALWAYS CHARGED