

The PDSP1601 is a high performance 16-bit arithmetic logic unit with an independent on-chip 16-bit barrel shifter.

The PDSP1601 supports Multicycle multiprecision operation. This allows a single device to operate at 10MHz for 16-bit-bit-fields, 5MHz for 32-bit fields and 2.5MHz for 64-bit fields. The PDSP1601 can also be cascaded to produce wider words at the 10MHz rate using the Carry Out and Carry In pins. The Barrel Shifter is capable of extension, for example the PDSP1601 can be used to select a 16-bit field from a 32-bit input in 100ns.

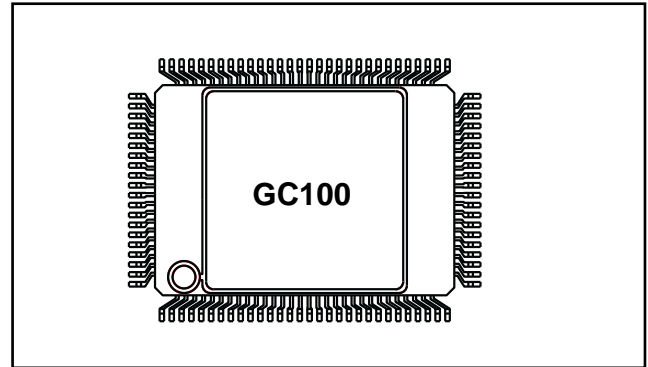


Fig.1 Pin connections

GC pin	Function	GC pin	Function	GC pin	Function	GC pin	Function
80	VCC	5	VCC	30	B7	55	A7
81	RS2	6	CO	31	B6	56	A6
82	C0	7	RA0	32	B5	57	A5
83	C1	8	RA1	33	B4	58	A4
84	C2	9	RA2	34	B3	59	A3
85	C3	10	CI	35	B2	60	A2
86	C4	11	IA0	36	B1	61	A1
87	C5	12	IA1	37	B0	62	A0
88	C6	13	IA2	38	CEB	63	CEA
89	C7	14	IA3	39	CLK	64	MSC
90	GND	15	IA4	40	GND	65	IS0
91	C8	16	MSB	41	MSA0	66	IS1
92	C9	17	MSS	42	MSA1	67	IS2
93	C10	18	B15	43	A15	68	IS3
94	C11	19	B14	44	A14	69	SV0
95	C12	20	B13	45	A13	70	SV1
96	C13	21	B12	46	A12	71	SV2
97	C14	22	B11	47	A11	72	SV3
98	C15	23	B10	48	A10	73	SVOE
99	OE	24	B9	49	A9	74	RS0
100	BFP	25	B8	50	A8	75	RS1

FEATURES

- 16-bit, 32 instruction 10MHz ALU
- 16-bit, 10MHz Logical, Arithmetic or Barrel Shifter
- Independent ALU and Shifter Operation
- 4 x 16-bit On Chip Scratchpad Registers
- Multiprecision Operation; e.g. 200ns 64-bit Accumulate
- Three Port Structure with Three Internal Feedback Paths Eliminates I/O Bottlenecks
- 300mW Maximum Power Dissipation
- 100-pin Ceramic Quad Flatpack

APPLICATIONS

- Digital Signal Processing
- Array Processing
- Graphics
- Database Addressing
- High Speed Arithmetic Processors

Rev	A	B	C	D
Date	MAR 1993	NOV 1998		

NOTE

Polyimide is used as an inter-layer dielectric and glassivation.

ORDERING INFORMATION

PDSP1601/MC/GC1R (Ceramic QFP Package - MIL STD 883 Class B Screening)

PDSP1601 MC

PIN DESCRIPTIONS

Symbol	Pin No. (GG100 Package)	Description
MSB	16	ALU B-input multiplexer select control. ¹ This input is latched internally on the rising edge of CLK.
MSS	17	Shifter Input multiplexer select control. ¹ This input is latched internally on the rising edge of CLK.
B15 - B0	18 - 25 30 - 37	B Port data Input. Data presented to this port is latched into the input register on the rising edge of CLK. B15 is the MSB.
$\overline{\text{CEB}}$	38	Clock enable, B Port input register. When low the clock to this register is enabled.
CLK	39	Common clock to all internal registered elements. All registers are loaded, and outputs change on the rising edge of CLK.
MSA0 - MSA1	41 - 42	ALU A-input multiplexer select control. ¹ This input are latched internally on the rising edge of CLK.
A15 - A0	43 - 50 55 - 62	A Port data Input. Data presented to this port is latched into the input register on the rising edge of CLK. B15 is the MSB.
$\overline{\text{CEA}}$	63	Clock enable, A Port input register. When low the clock to this register is enabled.
MSC	64	C-Port multiplexer select control. ¹ This input is latched internally on the rising edge of CLK.
IS0 - IS3	65 - 68	Instruction inputs to Barrel Shifter, IS3 = MSB. ¹ This input is latched internally on the rising edge of CLK.
SV0 - SV3	69 - 72	Shift Value I/O Port. This port is used as an input when shift values are supplied from external sources, and as an output when Normalise operations are invoked. The I/O functions are determined by the IS0 - IS3 instruction inputs, and by the $\overline{\text{SVOE}}$ control. The shift value is latched internally on the rising edge of CLK.
$\overline{\text{SVOE}}$	73	SV Output enable. When high the SV port can only operate as an input. When low the SV port can act as an input or as an output, according to the IS0 - IS3 instruction. This pin should be tied high or low, depending upon the application.
RS0, RS1 RS2	74 - 75 81	Instruction inputs to Barrel Shifter registers. ¹ These input are latched internally on the rising edge of CLK.
C0 - C15	82 - 98	C Port data output. Data output on this port is selected by the C output multiplexer. C15 is the MSB
OE	99	Output enable. The C Port outputs are in high impedance condition when this control is high
BFP	100	Block Floating Point Flag from ALU, active high.
CO	6	Carry out from MSB of ALU
RA0 - RA2	7 - 9	Instruction inputs to ALU registers. ¹ These inputs are latched internally on the rising edge of CLK.
CI	10	Carry in to LSB of ALU
IA0 - IA3 IA4	11 - 14	Instruction inputs to ALU. ¹ IA4 = MSB. These inputs are latched internally on the rising edge of CLK.
Vcc	80, 5	+5V supply: Both Vcc pins must be connected.
GND	90 & 40	0V supply: Both GND pins must be connected.

NOTES

1. All instructions are executed in the cycle commencing with the rising edge of the CLK which latches the inputs.

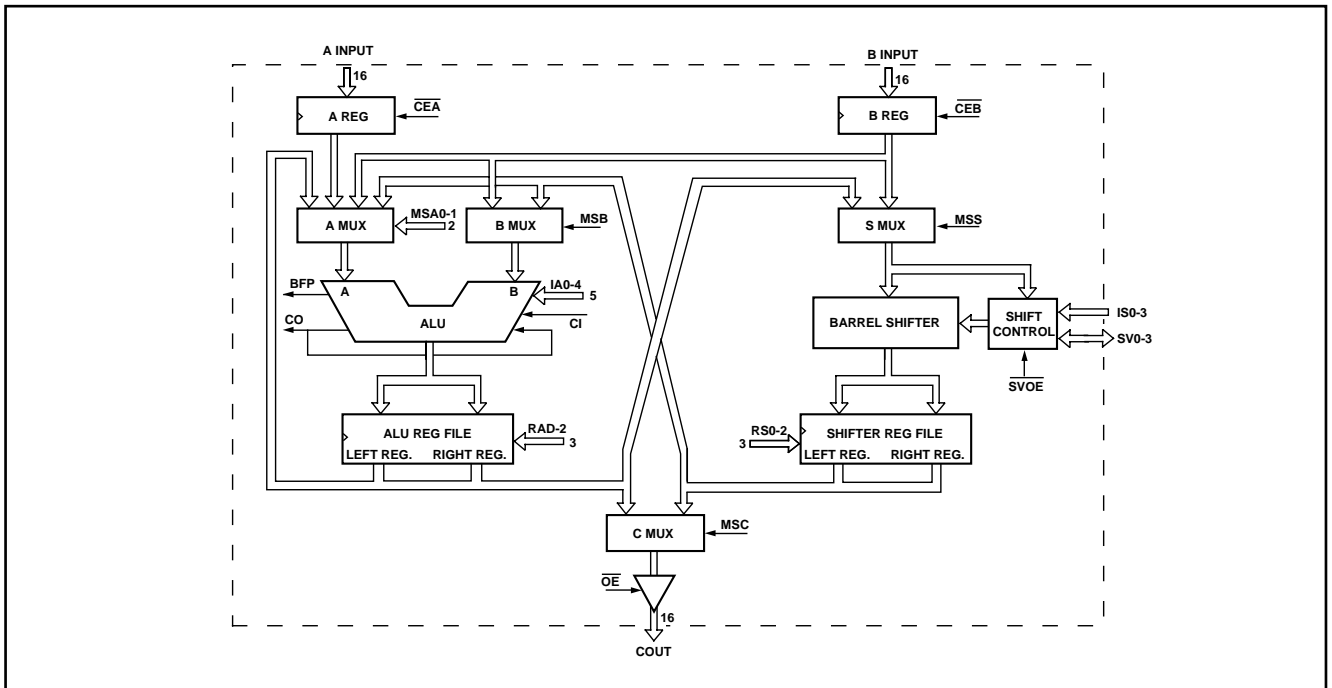


Fig.2 PDSP1601 block diagram

FUNCTIONAL DESCRIPTION

The PDSP1601 contains four main blocks: the ALU, the Barrel Shifter and the two Register Files.

The ALU

The ALU supports 32 instructions as detailed in Table 1.

The inputs to the ALU are selected by the A and B MUXs. Data will fall through from the selected register through the A or B input MUXs and the ALU to the ALU output register file in 100ns.

The ALU instructions are latched, such that the instruction will not start executing until the rising edge of CLK latches the instruction into the device.

The ALU accepts a carry in from the CI input and supplies a carry out to the CO output. Additionally, at the end of each cycle, the carry out from the ALU is loaded into an internal 1 bit register, so that it is available as an input to the ALU on the next cycle. In the manner, Multicycle, multiprecision operations are supported. (See MULTICYCLE CASCADE OPERATIONS).

BFP Flag

The ALU has a user programmable BFP flag. This flag may be programmed to become active at any one of four conditions. Two of these conditions are intended to support Block Floating Point operations, in that they provide flags indicating that the ALU result is within a factor of two or four of overflowing the 16 bit number range. For multiprecision operations the flag is only valid whilst the most significant 16 bit byte is being processed. In this manner the BFP flag may be used over any extended word width.

The remaining two conditions detect either an overflow condition or a zero result. For the overflow condition to be

active the ALU result must have overflowed into the 16th (sign) bit, (this flag is only valid whilst the most significant 16 bit byte is being processed). The zero condition is active if the result from the ALU is equal to zero. For multiprecision operations the zero flag must be active for all of the 16 bit bytes of an extended word.

The BFP flag is programmed by executing one of the four SBFXX instructions (see Table 1). During the execution of any of these four instructions, the output of the ALU is forced to zero.

Multicycle/Cascade Operation

The ALU arithmetic instructions contain two or three options for each arithmetic operation.

The ALU is designed to operate with two's complement arithmetic, requiring a one to be added to the LSB for all subtract operations. The instructions set includes instructions that will force a one into the LSB, e.g. MIAX1, AMBX1, BMAX1 (see Table 1).

These instructions are used for the least significant 16 bits of any subtract operation.

The user has an option of cascading multiple devices, or multicycling a single device to extend the arithmetic precision. Should the user cascade multiple devices, then the cascaded arithmetic instructions using the external CI input should be employed for all but the least significant 16 bits, e.g. MIACI, APBCI, BMACI (see Table 1).

Should the user multicycle a single device, then the Multicycle Arithmetic instructions, using the internally registered CO bit should be employed for all but the least significant 16 bits, e.g. MIACO, APBCO, AMBCO, BMACO (see Table 1).

PDSP1601 MC

Table 1 ALU instructions

1a. ARITHMETIC INSTRUCTIONS

Inst	IA4-IA0	Mnemonic	Operation	Function	Mode
00	00000	CLRXX	RESET	CLEAR ALL REGISTERS	-----
01	00001	MIAX1	MINUS A	NA Plus 1	LSBYTE
02	00010	MIACI	MINUS A	NA Plus CI	CASCADE
03	00011	MIACO	MINUS A	NA Plus CO	MULTICYCLE
04	00100	A2SGN	A/2	A/2 Sign Extend	MSBYTE
05	00101	A2RAL	A/2	A/2 with Ral LSB	MULTICYCLE
06	00110	A2RAR	A/2	A/2 with RAR LSB	MULTICYCLE
07	00111	A2RSX	A/2	A/2 with RSX LSB	MULTICYCLE
08	01000	APBCI	A PLUS B	A Plus B Plus CI	CASCADE
09	01001	APBCO	A PLUS B	A Plus B Plus CO	MULTICYCLE
0A	01010	AMBX1	A MINUS B	A Plus NB Plus 1	LSBYTE
0B	01011	AMBCI	A MINUS B	A Plus NB Plus CI	CASCADE
0C	01100	AMBCO	A MINUS B	A Plus NB Plus CO	MULTICYCLE
0D	01101	BMAX1	B MINUS A	NA Plus B Plus 1	LSBYTE
0E	01110	BMACI	B MINUS A	NA Plus B Plus CI	CASCADE
0F	01111	BMACO	B MINUS A	NA Plus B Plus CO	MULTICYCLE

1b. LOGICAL INSTRUCTIONS

Inst	IA4-AI0	Mnemonic	Operation	Function
10	10000	ANXAB	A AND B	A. B
11	10001	ANANB	A AND NB	A. NB
12	10010	ANNAB	NA AND B	NA. B
13	10011	ORXAB	A OR B	A + B
14	10100	ORNAB	NA OR B	NA + B
15	10101	XORAB	A XOR B	A XOR B
16	10110	PASXA	PASS A	A
17	10111	PASNA	INVERT A	NA

1c. CONTROL INSTRUCTIONS

Inst	IA4-AI0	Mnemonic	Operation
18	11000	SBFOV	Set BFP Flag to OVR, Force ALU output to zero
19	11001	SBFU1	Set BFP Flag to UND 1 Force ALU output to zero
1A	11010	SBFU2	Set BFP Flag to UND 2 Force ALU output to zero
1B	11011	SBFZE	Set BFP Flag to ZERO Force ALU output to zero
1C	11100	OPONE	Output 0001 Hex
1D	11101	OPBYT	Output 00FF Hex
1E	11110	OPNIB	Output 000F Hex
1F	11111	OPALT	Output 5555 Hex

KEY

- A = A input to ALU
- B = B input to ALU
- CI = External Carry in to ALU
- CO = Internally Registered Carry out from ALU
- RAL = ALU Register (Left)
- RAR = ALU Register (Right)
- RSX = Shifter Register (Left or Right)

MNEMONICS

- CLRXX Clear All Registers to zero
- MIAXX Minus A, XX = Carry in to LSB
- A2XXX A Divided by 2, XXX = Source of MSB
- APBXX A Plus B, XX = Carry in to LSB
- AMBXX A Minus B, XX = Carry in to LSB
- BMAXX B Minus A, XX = Carry in to LSB
- ANX-Y AND X = Operand 1, Y = Operand 2
- ORX-Y OR X = Operand 1, Y = Operand 2
- XORXY Exclusive OR X = Operand 1, Y = Operand 2
- PASXX Pass XX = Operand
- SBFXX Set BFP Flag XX = Function
- OPXXX Output Constant XXX

Divide by Two

The ALU has four (A2SGN, A2RAL, A2RAR, A2RSX) instructions used for right shifting (dividing by two) extended precision words. These words, (up to 64 bits) may be stored in the two on-chip register files. When the least significant 16 bit word is shifted, the vacant MSB must be filled with the LSB from the next most significant 16 bit byte. This is achieved via the A2RAL, A2RAR or A2RSX instructions which indicate the source of the new MSB (see SLU INSTRUCTION SET).

When the most significant 16 bit byte is right shifted, the MSB must be filled with a duplicate of the original MSB so as to maintain the correct sign (Sign Extension). This operation is achieved via the A2SGN instruction (see Table 1).

Constants

The ALU has four instructions (OPONE, OPBYT, OPNIB, OPALT) that force a constant value onto the ALU output. These values are primarily intended to be used as masks, or the seeds for mask generation, for example, the OPONE instruction will set a single bit in the least significant position. This bit may be rotated any where in the 16 bit field by the Barrel Shifter, allowing the AND function of the ALU to perform bit-pick operations on input data.

CLR

The ALU instruction CLRXX is used as a Master Reset for the entire device. This instruction has the effect of:

1. Clearing ALU and Barrel Shifter register files to zero.
2. Clearing A and B port input registers to zero.
3. Clearing the R1 and R2 shift control registers to zero.
4. Clearing the internally registered CO bit to zero.
5. Programming the BFP flag to detect *overflow* conditions.

The Barrel Shifter

The Barrel Shifter supports 16 instructions as detailed in Table 2. The input to the Barrel Shifter is selected by the S MUX. Data will fall through from the selected register, through the S MUX and the Barrel Shifter to the shifter output register file in 100ns.

The Barrel Shifter instructions are latched, such that the instructions will not start executing until the rising edge of CLK latches the instruction into the device.

The Barrel Shifter is capable of Logical Arithmetic or Barrel Shifts in either direction.

- A. Logical shifts discard bits that exit the 16 bit field and fill spaces with zeros.
- B. Arithmetic shifts discard bits that exit the 16 bit field and fill spaces with duplicates of the original MSB.
- C. Barrel Shifts rotate the 16 bit fields such that bits that exit the 16 bit field to the left or right reappear in the vacant spaces on the right or left.

The amount of shift applied is encoded onto the 4 bit Barrel Shifter input as illustrated in Table 3. The type of shift and the amount are determined by the shift control block. The shift control block (see Fig.3) accepts and decodes the four bit ISO-3 instruction. The shift control block contains a priority encoder and two, user programmable 4 bit registers R1 and R2.

There are four possible sources of shift value that can be passed onto the Barrel Shifter, there are:

1. The Priority Encoder
2. The SV input
3. The R1 register
4. The R2 register

Inst	IS3-ISO	Mnemonic	Operation	I/O
0	0000	LSRSV	Logical Shift Right by SV	I
1	0001	LLSV	Logical Shift Left by SV	I
2	0010	BSRSV	Barrel Shift Right by SV	I
3	0011	BLSV	Barrel Shift Left by SV	I
4	0100	LSRR1	Logical Shift Right by R1	X
5	0101	LSRR2	Logical Shift Left by R1	X
6	0110	LSLR1	Logical Shift Right by R2	X
7	0111	LSLR2	Logical Shift Left by R2	X
8	1000	LR1SV	Load Register 1 From SV	I
9	1001	LR2SV	Load Register 2 From SV	I
A	1010	ASRSV	Arithmetic Shift Right by SV	I
B	1011	ASRR1	Arithmetic Shift Right by R1	X
C	1100	ASRR2	Arithmetic Shift Right by R2	X
D	1101	NRMXX	Normalise Output PE	O
E	1110	NRMR1	Normalise Output PE, Load R1	O
F	1111	NRMR2	Normalise Output PE, Load R2	O

Table 2 Barrel shifter instructions

KEY

- SV = Shift Value
- R1 = Register 1
- R2 = Register 2
- PE = Priority Encoder Output
- I => SV Port operates as an Input
- O => SV Port operates as an Output
- X => SV Port in a High Impedance State

MNEMONICS

- LSXYY Logical Shift, X = Direction YY = Source of Shift Value
- BSXYY Barrel Shift, X = Direction YY = Source of Shift Value
- ASXYY Arithmetic Shift, X = Direction YY = Source of Shift Value
- LXXYY Load XX = Target YY = Source
- NRMYY Normalise by PE, Output PE value on SV Port, Load YY Reg

PDSP1601 MC

SV3	SV2	SV1	SV0	Shift
0	0	0	0	No shift
0	0	0	1	1 place
0	0	1	0	2 places
0	0	1	1	3 places
0	1	0	0	4 places
0	1	0	1	5 places
0	1	1	0	6 places
0	1	1	1	7 places
1	0	0	0	8 places
1	0	0	1	9 places
1	0	1	0	10 places
1	0	1	1	11 places
1	1	0	0	12 places
1	1	0	1	13 places
1	1	1	0	14 places
1	1	1	1	15 places

Table 3 Barrel shifter codes

Priority Encoder

If the priority encoder is selected as the source of the shift value (instructions:- NRMXX, NRMR1, MRMRZ), then within one 200ns cycle or two 100ns cycles, the shift circuitry will:

(1) Priority encode the 16 bit input to the Barrel Shifter and place the 4 bit value in either of the R1 or R2 registers and output the value on the SV port (if enabled by $\overline{\text{SVOE}}$).

(2) Shift the 16 bit input by the amount indicated by the Priority Encoder such that the output from the Barrel Shifter is a normalised value.

SV Input

If the SV port is selected as the source of the shift value, then the input to the Barrel Shifter is shifted by the value stored in the internal SV register.

SVOE

The SV port acts as an input or an output depending upon the ISO-3 instruction. If the user does not wish to use the normalise instructions, then the SV port may be forced to be input only by typing $\overline{\text{SVOE}}$ control high. In this mode the SV port may be considered an extension of the instruction inputs.

R1 and R2 Registers

The R1 and R2 registers may be loaded from the Priority Encoder (NRMR1 and NRMR2) or from the SV input (LR1SV, LR2SV).

Whilst the latter two instructions are executing, the Barrel Shifter will pass its input to the output unshifted.

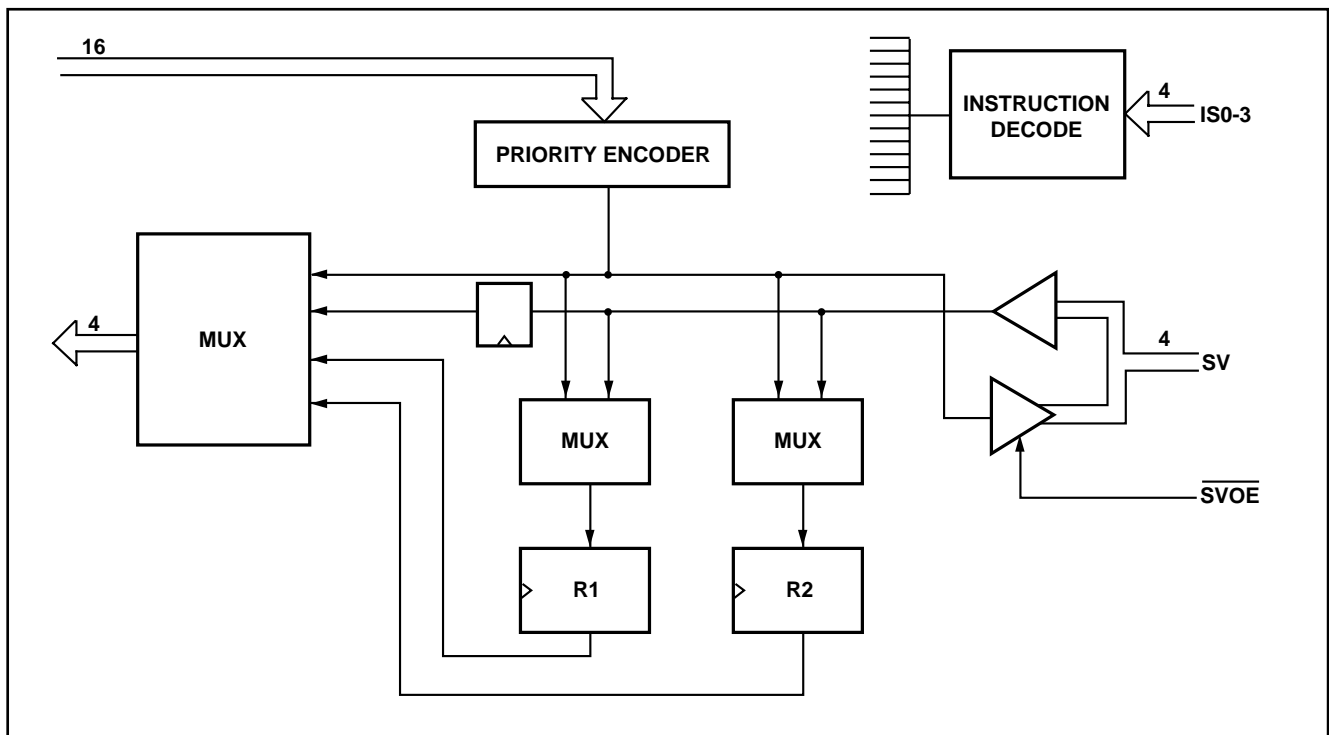


Fig.3 Shift control block

The Register Files

There are two on-chip register files (ALU and Shifter), each containing two 16 bit registers and each supporting 8 instructions (see Table 4). The instructions for the ALU register file and the Barrel Shifter Register file are the same.

The Inputs to the register files come from either the ALU or the Barrel Shifter, and are loaded into the Register files on the rising edge of CLK.

The register file instructions are latched such that the instruction will not start executing until the rising edge of the

CLK latches the instruction into the device.

The register file instructions (see Table 4) allow input data to be loaded into either, neither or both of the registers. Data is loaded at the end of the cycle in which the instruction is executing.

The register file instructions allow the output to be sourced from either of the two registers, the selected output will be valid during the cycle in which the instruction is executing.

ALU REGISTER INSTRUCTIONS			
Inst	RA2-RA0	Mnemonic	Operation
0	000	LLRRR	Load Left Reg Output Right Reg
1	001	LRRLR	Load Right Reg Output Left Reg
2	010	LLRLR	Load Left Register, Output Left Reg
3	011	LRRRR	Load Right Register, Output Right Reg
4	100	LBRLR	Load Both Register, Output Left Reg
5	101	NOPRR	No load Operation, Output Right Reg
6	110	NOPLR	No load Operation, Output Left Reg
7	111	NOPPS	No load Operation, Pass ALU Result
SHIFTER REGISTER INSTRUCTIONS			
Inst	RA2-RA0	Mnemonic	Operation
0	000	LLRRR	Load Left Reg Output Right Reg
1	001	LRRLR	Load Right Reg Output Left Reg
2	010	LLRLR	Load Left Register, Output Left Reg
3	011	LRRRR	Load Right Register, Output Right Reg
4	100	LBRLR	Load Both Register, Output Left Reg
5	101	NOPRR	No load Operation, Output Right Reg
6	110	NOPLR	No load Operation, Output Left Reg
7	111	NOPPS	No load Operation, Pass Barrel Shifter Result

Table 4 ALU and shift register instructions mnemonics

MNEMONICS

LXXYY Load XX = Target, YY = Source of Output
 LBOXX Load Both Registers, XX = Source of Output
 NOPXX No Load Operation, XX = Source of Output

PDSP1601 MC

Multiplexers

There are four user selectable on-chip multiplexers (A-MUX, B-MUX, S-MUX and C-MUX).

These four multiplexers support instructions as tabulated in Table 5.

The MUX instructions are latched such that the instruction will not start executing until the rising edge of CLK latches the instruction onto the device.

		MSA1	MSA2	Output
A-MUX	MARAX	0	0	ALU REGISTER FILE OUPUT
	MAAPR	0	1	A-PORT INPUT
	MABPR	1	0	B-PORT INPUT
	MARSX	1	1	SHIFTER REGISTER FILE OUTPUT
B-MUX	MSB		Output	
	0		B-PORT INPUT	
	1		SHIFTER REGISTER FILE OUTPUT	
	S-MUX	MSS		Output
0			B-PORT INPUT	
	1		SHIFTER REGISTER FILE OUTPUT	
	C-MUX	MSC		Output
0			ALU REGISTER FILE OUTPUT	
	1		SHIFTER REGISTER FILE OUTPUT	

Table 5

INSTRUCTION SET

ALU Arithmetic Instructions

Mnemonic	Op Code	Function
CLRXX	<00>	On the rising edge of CLK at the end of the cycle in which this instruction is executing, the A Port, B Port, ALU, Barrel Shifter, and Shift Control Registers will be loaded with zeros. The internal registered CO will also be set to zero, and the BFP flag will be set to activate on overflow conditions.
MIAX1	<01>	The A input to the ALU is inverted and a one is added to the LSB.
MIACI	<02>	The A input to the ALU is inverted and the CI input is added to the LSB.
MIACO	<03>	The A input to the ALU is inverted and the CO output from the ALU on the previous cycle is added to the LSB.
A2SGN	<04>	The A input to the ALU is right shifted one bit position. The LSB is discarded, and the vacant MSB is filled by duplicating the original MSB (Sign Extension).
A2RAL	<05>	The A input to the ALU is right shifted one bit position. The LSB is discarded, and the vacant MSB is filled with the LSB from the ALU left register.
A2RAR	<06>	The A input to the ALU is right shifted one bit position. The LSB is discarded, and the vacant MSB is filled with the LSB from the ALU right register.
A2RSX	<07>	The A input to the ALU is right shifted one bit position. The LSB is discarded, and the vacant MSB is filled with the LSB from the B input to the ALU.
APBCI	<08>	The A input to the ALU is added to the B input, and the CI input is added to the LSB.
APBCO	<09>	The A input to the ALU is added to the B input, and the CO out from the ALU on the previous cycle is added to the LSB.
AMBX1	<0A>	The A input to the ALU is added to the inverted B input, and a one is added to the LSB.
AMBCI	<0B>	The A input to the ALU is added to the inverted B input, and the CI input is added to the LSB.
AMBCO	<0C>	The A input to the ALU is added to the inverted B input, and the CO out from the ALU on the previous cycle is added to the LSB.
BMAX1	<0D>	The inverted A input to the ALU is added to the B input, and a one is added to the LSB.
BMACI	<0E>	The inverted A input to the ALU is added to the B input, and the CI input is added to the LSB.
BMACO	<0F>	The inverted A input to the ALU is added to the B input, and the CO out from the ALU on the previous cycle is added to the LSB.

ALU Logical Instructions

Mnemonic	Op Code	Function
ANXAB	<10>	The A input to the ALU is logically 'ANDed' with the B input.
ANANB	<11>	The A input to the ALU is logically 'ANDed' with the inverse of the B input.
ANNAB	<12>	The inverse of the A input to the ALU is logically 'ANDed' with the B input.
ORXAB	<13>	The A input to the ALU is logically 'ORed' with the B input.
ORNAB	<14>	The inverse A input to the ALU is logically 'ORed' with the B input.
XORAB	<15>	The A input to the ALU is logically Exclusive-ORed with the B input.
PASXA	<16>	The A input to the ALU is passed to the output.
PASNA	<17>	The inverse of the A input to the ALU is passed to the output.

PDSP1601 MC

ALU Control Instructions

Mnemonic	Op Code	Function
SBFOV	<18>	The BFP flag is programmed to activate when an ALU operation causes an overflow of the 16 bit number range. This flag is logically the exclusive-or of the carry into and out of the MSB of the ALU. For the most significant Byte this flag indicates that the result of an arithmetic two's complement operation has overflowed into the sign bit. The output of the ALU is forced to zero for the duration of this instruction.
SBFU1	<19>	The BFP flag is programmed to activate when an ALU operation comes within a factor of two of causing an overflow of the 16 bit number range. For the most significant Byte this flag indicates that the result of an arithmetic two's complement operation is within a factor of two of overflowing into the sign bit. The output of the ALU is forced to zero for the duration of this instruction.
SBFU2	<1A>	The BFP flag is programmed to activate when an ALU operation comes within a factor of four of causing an overflow of the 16 bit number range. For the most significant Byte this flag indicates that the result of an arithmetic two's complement operation is within a factor of four of overflowing into the sign bit. The output of the ALU is forced to zero for the duration of this instruction.
SBFZE	<1B>	The BFP flag is programmed to activate when an ALU operation causes a result of zero. The output of the ALU is forced to zero for the duration of this instruction. During the execution of this instruction the BFP flag will become active.
OPONE	<1C>	The ALU will output the binary value 0000000000000001, the MSB on the left.
OPBYT	<1D>	The ALU will output the binary value 0000000011111111, the MSB on the left.
OPNIB	<1E>	The ALU will output the binary value 0000000000001111, the MSB on the left.
OPALT	<1F>	The ALU will output the binary value 0101010101010101, the MSB on the left.

Barrel Shifter Instructions

Mnemonic	Op Code	Function
LSRSV	<0>	The 16 bit input to the Barrel Shifter is right shifted by the number of places indicated by the magnitude of the four bit number present in the SV register. The LSBs are discarded, and the vacant MSBs are filled with zeros.
LSLSV	<1>	The 16 bit input to the Barrel Shifter is left shifted by the number of places indicated by the magnitude of the four bit number present in the SV register. The MSBs are discarded, and the vacant LSBs are filled with zeros.
BSRSV	<2>	The 16 bit input to the Barrel Shifter is rotated to the right shifted by the number of places indicated by the magnitude of the four bit number present in the SV register. The LSBs that exit the 16 bit field to the right, reappear in the vacant MSBs on the left.
BSLSV	<3>	The 16 bit input to the Barrel Shifter is rotated to the left shifted by the number of places indicated by the magnitude of the four bit number present in the SV register. The MSBs that exit the 16 bit field to the left, reappear in the vacant LSBs on the right.
LSRR1	<4>	The 16 bit input to the Barrel Shifter is right shifted by the number of places indicated by the magnitude of the four bit number present in the R1 register. The LSBs are discarded, and the vacant MSBs are filled with zeros.
LSLR1	<5>	The 16 bit input to the Barrel Shifter is left shifted by the number of places indicated by the magnitude of the four bit number present in the R1 register. The MSBs are discarded, and the vacant LSBs are filled with zeros.
LSRR2	<6>	The 16 bit input to the Barrel Shifter is right shifted by the number of places indicated by the magnitude of the four bit number present in the R2 register. The LSBs are discarded, and the vacant MSBs are filled with zeros.
LSLR2	<7>	The 16 bit input to the Barrel Shifter is left shifted by the number of places indicated by the magnitude of the four bit number present in the R2 register. The MSBs are discarded, and the vacant LSBs are filled with zeros.

PDSP1601 MC

Mnemonic	Op Code	Function
LR1SV	<8>	On the rising edge of CLK at the end of the cycle in which this instruction is executing, the R1 register will be loaded with the data present on the SV port. The input to the Barrel Shifter will be passed onto the output unshifted.
LR2SV	<9>	On the rising edge of CLK at the end of the cycle in which this instruction is executing, the R2 register will be loaded with the data present on the SV port. The input to the Barrel Shifter will be passed onto the output unshifted.
ASRSV	<A>	The 16 bit input to the Barrel Shifter is right shifted by the number of places indicated by the magnitude of the four bit number present in the SV register. The LSBs are discarded, and the vacant MSBs are filled with duplicates of the original MSB. (Sign Extension).
ASRR1		The 16 bit input to the Barrel Shifter is right shifted by the number of places indicated by the magnitude of the four bit number resident within the R1 register. The LSBs are discarded, and the vacant MSBs are filled with duplicates of the original MSB. (Sign Extension).
ASRR2	<C>	The 16 bit input to the Barrel Shifter is right shifted by the number of places indicated by the magnitude of the four bit number resident within the R2 register. The LSBs are discarded, and the vacant MSBs are filled with duplicates of the original MSB. (Sign Extension).
NRMXX	<D>	The 16 bit input to the Barrel Shifter is left shifted by the number of places indicated by the magnitude of the four bit number output from the Priority Encoder. This value is also output on the SV port (provided \overline{SVOE} is low). The effect of this operation is to left shift the input by the necessary amount (max 15 places) to result in the MSB and the next most significant bit being different. This has the effect of eliminating unnecessary Sign Bits, and hence Normalising the input data. The MSBs shifted out to the left are discarded, and the vacant LSBs on the right are filled with zeros.
NRMR1	<E>	The 16 bit input to the Barrel Shifter is left shifted by the number of places indicated by the magnitude of the four bit number output from the Priority Encoder. This value is also loaded into the R1 register at the end of the cycle, and is output on the SV port (provided \overline{SVOE} is low). The effect of this operation is to left shift the input by the necessary amount (max 15 places) to result in the MSB and the next most significant bit being different. This has the effect of eliminating unnecessary Sign Bits, and hence Normalising the input data. The MSBs shifted out to the left are discarded, and the vacant LSBs on the right are filled with zeros.
NRMR2	<F>	The 16 bit input to the Barrel Shifter is left shifted by the number of places indicated by the magnitude of the four bit number output from the Priority Encoder. This value is also loaded into the R2 register at the end of the cycle, and is output on the SV port (provided \overline{SVOE} is low). The effect of this operation is to left shift the input by the necessary amount (max 15 places) to result in the MSB and the next most significant bit being different. This has the effect of eliminating unnecessary Sign Bits, and hence Normalising the input data. The MSBs shifted out to the left are discarded, and the vacant LSBs on the right are filled with zeros.

PDSP1601 MC

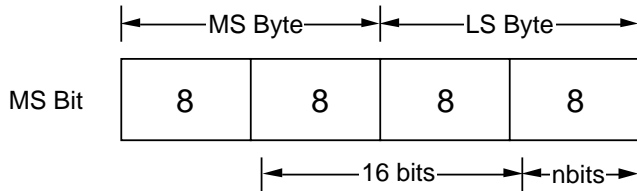
Barrel Shifter/ or ALU Register Instructions

Mnemonic	Op Code	Function
LLRRR	<0>	After the rising edge of CLK at the beginning of the cycle in which this instruction is executed, the contents of the Right register will appear on the output. On the rising edge of CLK at the end of the cycle, the data on the register inputs will be loaded into the Left Register.
LRRLR	<1>	After the rising edge of CLK at the beginning of the cycle in which this instruction is executed, the contents of the Left register will appear on the output. On the rising edge of CLK at the end of the cycle, the data on the register inputs will be loaded into the Right Register.
LLRLR	<2>	After the rising edge of CLK at the beginning of the cycle in which this instruction is executed, the contents of the Left register will appear on the output. On the rising edge of CLK at the end of the cycle, the data on the register inputs will be loaded into the Left Register.
LRRRR	<3>	After the rising edge of CLK at the beginning of the cycle in which this instruction is executed, the contents of the Right register will appear on the output. On the rising edge of CLK at the end of the cycle, the data on the register inputs will be loaded into the Right Register.
LBRLR	<4>	After the rising edge of CLK at the beginning of the cycle in which this instruction is executed, the contents of the Left register will appear on the output. On the rising edge of CLK at the end of the cycle, the data on the register inputs will be loaded into both Left and Right Registers.
NOPRR	<5>	After the rising edge of CLK at the beginning of the cycle in which this instruction is executed, the contents of the Right register will appear on the output. On the rising edge of CLK at the end of the cycle no load operation will occur, the register contents will remain unchanged.
NOPLR	<6>	After the rising edge of CLK at the beginning of the cycle in which this instruction is executed, the contents of the Left register will appear on the output. On the rising edge of CLK at the end of the cycle no load operation will occur, the register contents will remain unchanged.
NOPPS	<7>	After the rising edge of CLK at the beginning of the cycle in which this instruction is executed, the input to the register will appear on the output. On the rising edge of CLK at the end of the cycle no load operation will occur, the register contents will remain unchanged.

TYPICAL APPLICATION

Select a 16 bit field from each word in a block of 32 bit words with a 10MHz throughput.

The 16 bit field indicated is to be selected from each 32 bit word.



The 32 bit words are fed into the B port of the PDSP1601 in two cycles, MS byte first.

The PDSP1601 shift control is initiated by programming the R1 and R2 registers with n and 16-n respectively.

The shift operation is implemented in three steps:-

(1) The MS byte is logically left shifted (16-n) places, the MSBs being discarded and the LSB spaces being filled with zeros. This shifted data is loaded into the shifter register file left register.

(2) The LS byte is logically right shifted, n-places, the LSBs being discarded and the MSBs being filled with zeros. This shifted data is loaded into the shifter register file left register.

During this cycle the previous contents of this register are passed through the ALU to the ALU register file left register.

(3) While the MS byte of the next 32 bit word is shifted in the Barrel Shifter, the two previous results, resident within the left registers of the ALU and Shifter Register files are 'ORed' by the ALU, the result being the desired 16 bit field is loaded into the ALU register file right register ready to be output on the next cycle.

The instructions from initialisation are given in Table 6.

CLK	CEB	MSA	MSB	MSS	MSC	IA	IS	SV	RA	RS	Comment
1/	1	MARSX	1	0	0	CLRXX	X	X	NOPLR	NOPLR	Clear
2/	1	MARSX	1	0	0	PASXA	LR1SV	n	NOPLR	NOPLR	Load R1 with n
3/	0	MARSX	1	0	0	PASXA	LR2SV	(16-n)	NOPLR	NOPLR	Load R2 with (16-n)
4/	0	MARSX	1	0	0	PASXA	LSLR2	X	NOPLR	LLRLR	Shift 1st MS byte
5/	0	MARSX	1	0	0	PASXA	LSRR1	X	LLRRR	LLRLR	Shift 1st LS byte
6/	0	MARAX	1	0	0	ORXAB	LSLR2	X	LRRLR	LLRLR	OR 1st bytes and shift 2nd MS byte
7/	0	MARSX	1	0	0	PASXA	LSRR1	X	LLRRR	LLRLR	Shift 2nd LS byte
8/	0	MARAX	1	0	0	ORXAB	LSLR2	X	LRRLR	LLRLR	and output first result Shift 3rd LS byte

Repeat instruction pair 5/ and 6/ until all 16 bit fields have been selected.

Table 6

ABSOLUTE MAXIMUM RATINGS (Note 1)

Supply voltage V_{cc}	-0.5V to 7.0V
Input voltage V_{IN}	-0.9V to $V_{cc} + 0.9V$
Output voltage V_{OUT}	-0.9V to $V_{cc} + 0.9V$
Clamp diode current per pin I_K (see note 2)	$\pm 18mA$
Static discharge voltage (HMB)	500V
Storage temperature T_s	-65°C to +150°C
Ambient temperature with power applied T_{amb}	
Military	-40°C to +125°C
Package power dissipation P_{TOT}	
GC	1000mW

NOTES

- Exceeding these ratings may cause permanent damage. Functional operation under these conditions is not implied.
- Maximum dissipation or 1 second should not be exceeded, only one output to be tested at any one time.

THERMAL CHARACTERISTICS

Package type	θ_{Jc} °C/W
GC	12

PDSP1601 MC

ELECTRICAL CHARACTERISTICS

Operating Conditions (unless otherwise stated)

T_{AMB} (Military) = -55°C to +125°C, V_{CC} = 5.0V±10%, Ground = 0V

Static Characteristics

Characteristic	Symbol	Value			Units	Sub group	Conditions
		Min.	Typ.	Max.			
* Output high voltage	V_{OH}	2.4			V	1, 2, 3	$I_{OH} = 8mA$ $I_{OL} = -8mA$
* Output low voltage	V_{OL}			0.4	V	1, 2, 3	
* Input high voltage	V_{IH}	2.5			V	1, 2, 3	CLOCK, OE CLOCK, OE
* Input low voltage	V_{IL}			0.8	V	1, 2, 3	
	V_{IH}	Vdd -1			V	1, 2, 3	
	V_{IL}			0.5	V	1, 2, 3	
* Input leakage current	I_{IL}	-10		+10	µA	1, 2, 3	
* Vcc current	I_{CC}			60	mA	1, 2, 3	$T_{amb} = -40°C$ to $+85°C$ $GND < V_{IN} < V_{CC}$ $GND < V_{OUT} < V_{CC}$ $V_{CC} = Max$
* Output leakage current	I_{OZ}	-50		+50	µA	1, 2, 3	
† Output S/C current	I_{SC}	12		80	mA		
† Input capacitance	C_{IN}		5		pF		

Switching Characteristics

Characteristics	Value		Units	Sub group	Conditions
	PDSP1601				
	Min.	Max.			
† CLK rising edge to C-PORT	5	40	ns		2 x LSTTL + 20pF
† CLK rising edge to CO	5	100	ns		1 x LSTTL + 5pF
† CLK rising edge to BFP	5	100	ns		1 x LSTTL + 5pF
† Setup \overline{CEA} or \overline{CEB} to CLK rising edge	30		ns		
† Hold \overline{CEA} or \overline{CEB} to CLK rising edge		0	ns		
† Setup A or B port inputs to CLK rising edge	40		ns		
† Hold A or B port inputs to CLK rising edge		0	ns		
† Setup MSA0-1, MSB, MSS, MSC, RA2-0, RS0-2, IA0-4, IS0-3, to CLK rising edge	40		ns		
† Hold RS0-2, IA0-4 to CLK rising edge		0	ns		
† Hold IS0-3 to CLK rising edge		3	ns		
† Hold MSA0-1, MSB, MSS, MSC, RA0-2 to CLK rising edge		0	ns		
† Setup SV to CLK rising edge	40		ns		Input mode
† Hold SV to CLK rising edge		3	ns		Input mode
† CLK rising edge to SV	5	100	ns		20pF load, SV O P mode
† \overline{OE} \square C-PORT \square Z		40	ns		2 x LSTTL + 20pF
† \overline{OE} \square C-PORT \square Z		40	ns		2 x LSTTL + 20pF
† \overline{OE} \square C-PORT Z \square		40	ns		2 x LSTTL + 20pF
† \overline{OE} \square C-PORT Z \square		40	ns		2 x LSTTL + 20pF
† Clock period (ALU & Barrel Shifter, serial mode)	200		ns		
* Clock period (ALU & Barrel Shifter, parallel mode)	100		ns	9, 10, 11	
† Clock high time	40		ns		
† Clock low time	40		sn		

All parameter marked * are tested during production.

Parameters marked † are guaranteed by design and characterisation

PDSP1601 MC

Part No: PDSP1601 MC ALU and Barrel Shifter

Package Type: GC100

Pin No.	Volt.	Pin No.	Volt.	Pin No.	Volt.	Pin No.	Volt.
1	N/C	26	N/C	51	N/C	76	N/C
2	N/C	27	N/C	52	N/C	77	N/C
3	N/C	28	N/C	53	N/C	78	N/C
4	N/C	29	N/C	54	N/C	79	N/C
5	V1	30	V1	55	0V	80	N/C
6	N/C	31	V1	56	0V	81	0V
7	0V	32	V1	57	0V	82	N/C
8	0V	33	V1	58	0V	83	N/C
9	0V	34	V1	59	0V	84	N/C
10	V1	35	V1	60	0V	85	N/C
11	V1	36	V1	61	0V	86	N/C
12	V1	37	V1	62	0V	87	N/C
13	V1	38	V1	63	V1	88	N/C
14	V1	39	V1	64	V1	89	N/C
15	V1	40	0V	65	V1	90	0V
16	0V	41	0V	66	V1	91	N/C
17	0V	42	V1	67	0V	92	N/C
18	0V	43	V1	68	0V	93	N/C
19	0V	44	V1	69	V1 180K	94	N/C
20	0V	45	V1	70	V1 180K	95	N/C
21	0V	46	V1	71	0V 180K	96	N/C
22	0V	47	V1	72	0V 180K	97	N/C
23	0V	48	V1	73	V1	98	N/C
24	0V	49	V1	74	V1	99	V1
25	0V	50	V1	75	0V	100	N/C

VDD max = +5.0V = V1

N/C = not connected

Fig.4 Life Test/Burn-in connections
 NOTE: PDA is 5% and based on groups 1 and 7



<http://www.zarlink.com>

World Headquarters - Canada

Tel: +1 (613) 592 0200

Fax: +1 (613) 592 1010

North America - West Coast

Tel: (858) 675-3400

Fax: (858) 675-3450

North America - East Coast

Tel: (978) 322-4800

Fax: (978) 322-4888

Asia/Pacific

Tel: +65 333 6193

Fax: +65 333 6192

**Europe, Middle East,
and Africa (EMEA)**

Tel: +44 (0) 1793 518528

Fax: +44 (0) 1793 518581

Information relating to products and services furnished herein by Zarlink Semiconductor Inc. trading as Zarlink Semiconductor or its subsidiaries (collectively "Zarlink") is believed to be reliable. However, Zarlink assumes no liability for errors that may appear in this publication, or for liability otherwise arising from the application or use of any such information, product or service or for any infringement of patents or other intellectual property rights owned by third parties which may result from such application or use. Neither the supply of such information or purchase of product or service conveys any license, either express or implied, under patents or other intellectual property rights owned by Zarlink or licensed from third parties by Zarlink, whatsoever. Purchasers of products are also hereby notified that the use of product in certain ways or in combination with Zarlink, or non-Zarlink furnished goods or services may infringe patents or other intellectual property rights owned by Zarlink.

This publication is issued to provide information only and (unless agreed by Zarlink in writing) may not be used, applied or reproduced for any purpose nor form part of any order or contract nor to be regarded as a representation relating to the products or services concerned. The products, their specifications, services and other information appearing in this publication are subject to change by Zarlink without notice. No warranty or guarantee express or implied is made regarding the capability, performance or suitability of any product or service. Information concerning possible methods of use is provided as a guide only and does not constitute any guarantee that such methods of use will be satisfactory in a specific piece of equipment. It is the user's responsibility to fully determine the performance and suitability of any equipment using such information and to ensure that any publication or data used is up to date and has not been superseded. Manufacturing does not necessarily include testing of all functions or parameters. These products are not suitable for use in any medical products whose failure to perform may result in significant injury or death to the user. All products and materials are sold and services provided subject to Zarlink Semiconductor's conditions of sale which are available on request.

Purchase of Zarlink's I²C components conveys a licence under the Philips I²C Patent rights to use these components in an I²C System, provided that the system conforms to the I²C Standard Specification as defined by Philips

Zarlink and the Zarlink Semiconductor logo are trademarks of Zarlink Semiconductor Inc.
Copyright 2001, Zarlink Semiconductor Inc. All rights reserved.

TECHNICAL DOCUMENTATION - NOT FOR RESALE