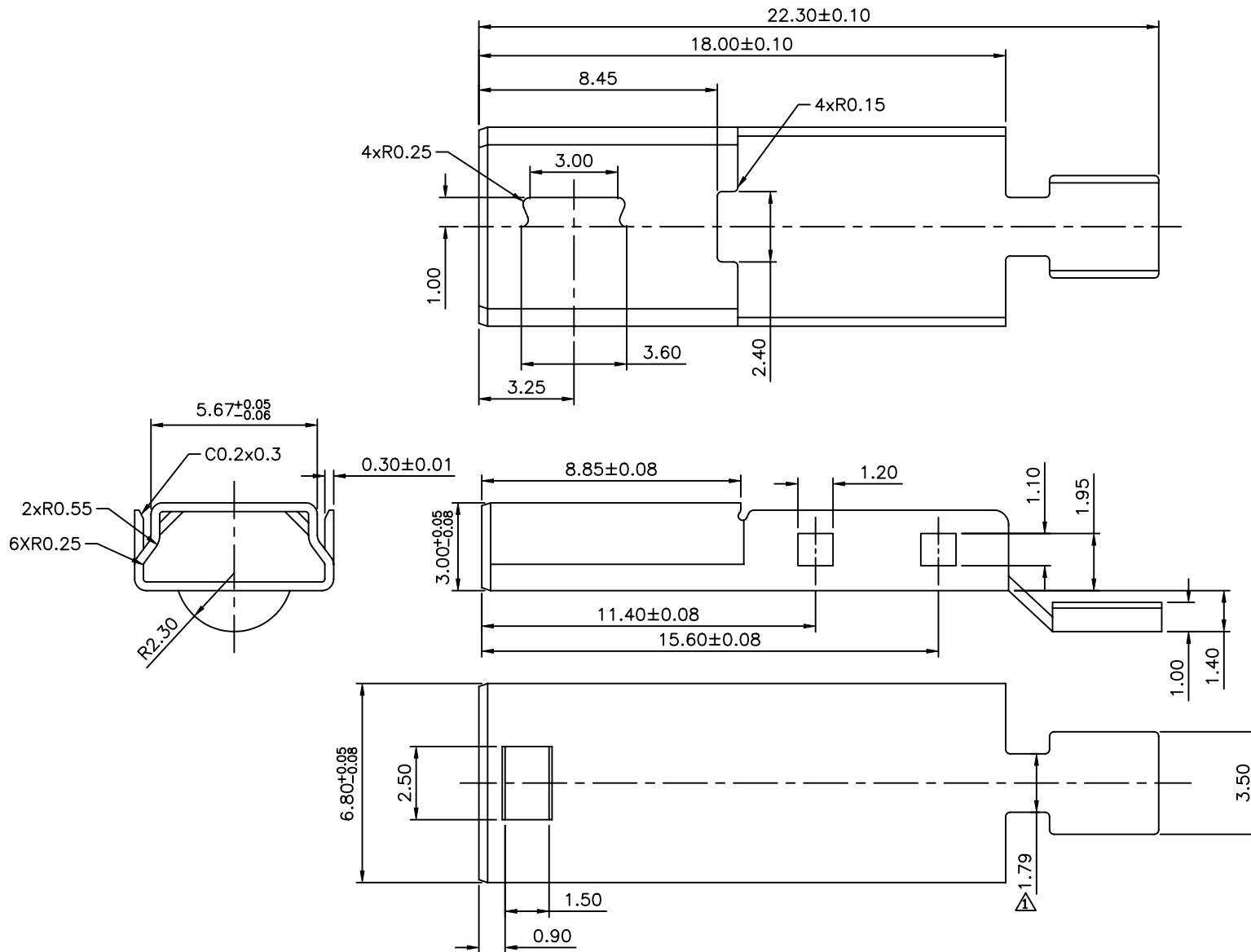


**SPECIFICATIONS**

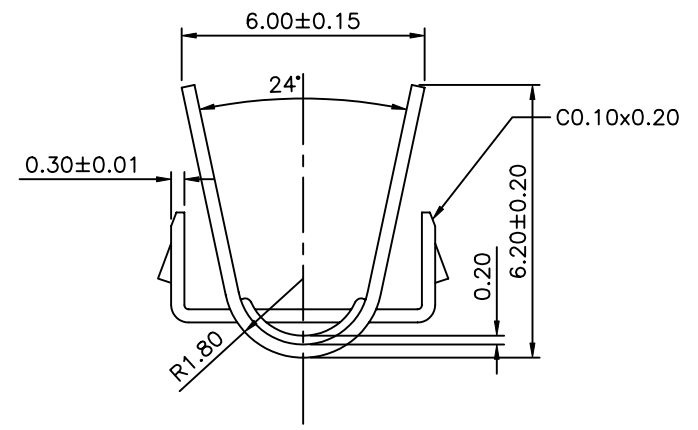
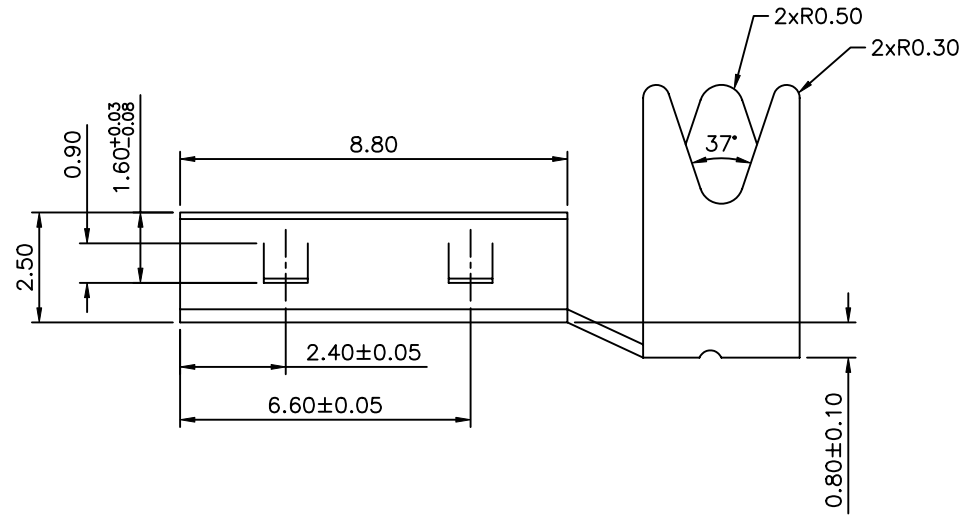
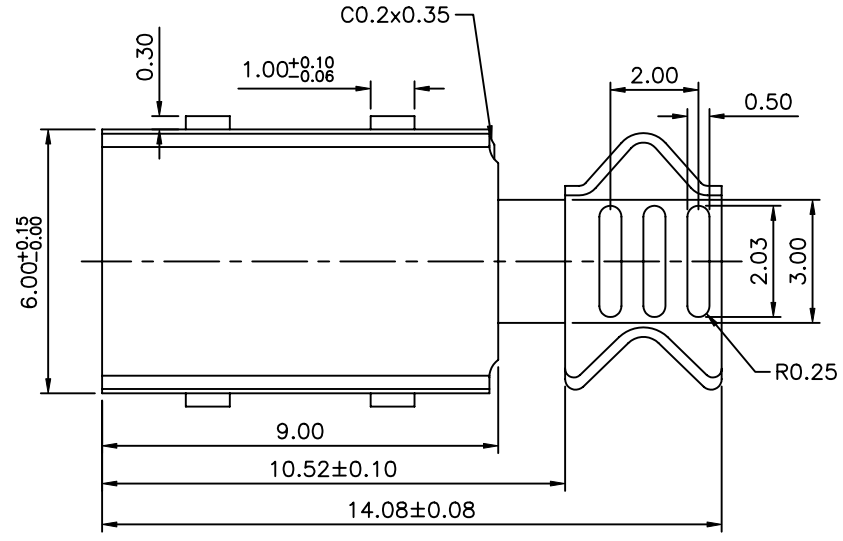
Material: SPCC T=0.30±0.01  
 Contact: Ni Plated Over Copper  
 RoHS Compliant



**AUK** A MEMBER OF AUK GROUP  
**太聯事業股份有限公司**  
**AUK CONTRACTORS CO., LTD.**

CATEGORY		APPROVED BY		UNLESS OTHERWISE SPECIFIED TOLERANCES ARE					
PART No. MSB5BPS-H		MEI		.X ±0.10 X. ±1*					
DRAWING No. MSB5BPS-H		CHECKED BY HZF		.XX ±0.05 .X ±0.5*					
		DRAWING BY PEGA		.XXX ±0.02 .XX ±0.02*		△ A1	Modify 2.00--1.79	HZF	12/08/2008
SCALE	NONE	REV.	A1	UNIT	mm	△ A0	NEW RELEASE	HZF	07/03/2006
				NO.REV.		REVISIONS		CHK	DATE

**SPECIFICATIONS**  
 Material: SPCC T=0.30±0.01  
 Contact: Ni Plated Over Copper  
 RoHS Compliant

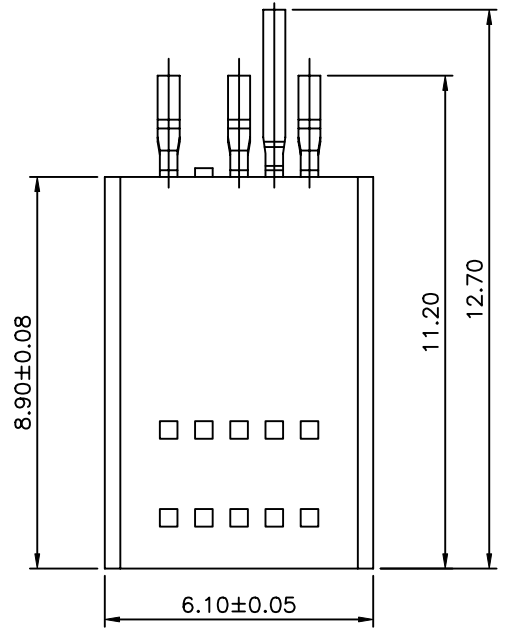
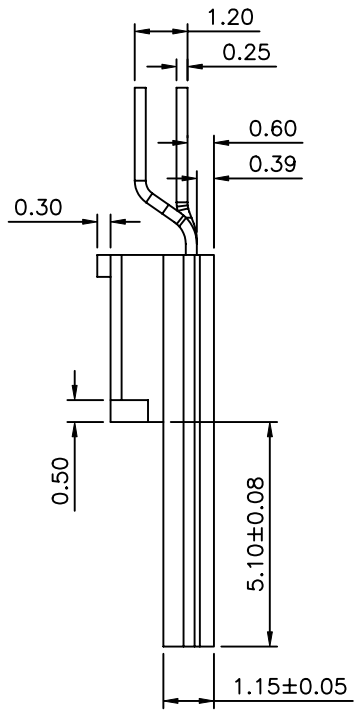
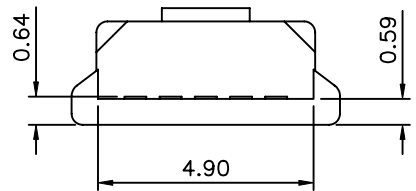
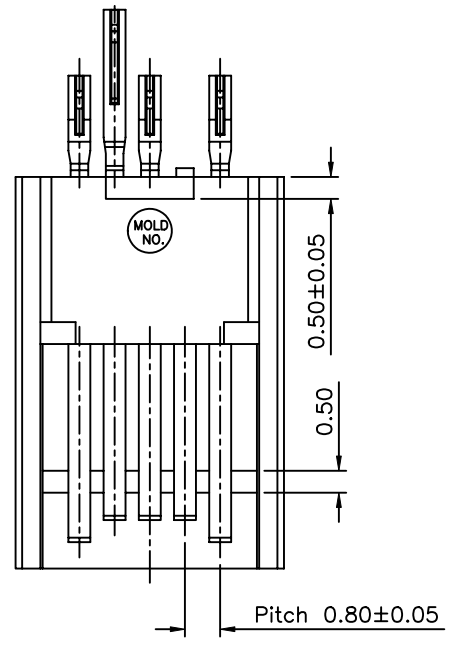
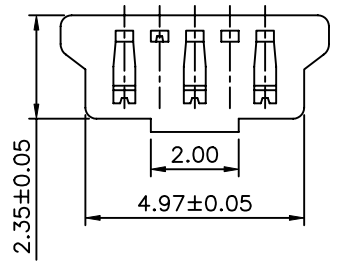


**AUK** A MEMBER OF AUK GROUP  
**太聯事業股份有限公司**  
**AUK CONTRACTORS CO., LTD.**

CATEGORY		APPROVED BY		UNLESS OTHERWISE SPECIFIED TOLERANCES ARE					
PART No. MSB5BPS-H		MEI		.X ±0.10 X. ±1°					
DRAWING No. MSB5BPS-H		CHECKED BY HZF		.XX ±0.05 .X ±0.5°		△ A1	Modify 2.00--1.79	HZF	12/08/2008
SCALE NONE		DRAWING BY PEGA		.XXX ±0.02 .XX ±0.02°		△ A0	NEW RELEASE	HZF	07/03/2006
REV.	A1	UNIT mm	⊕	NO.	REV.	REVISIONS		CHK	DATE

**SPECIFICATIONS**

Housing:LCP Glass Fibre UL94V-0  
 Contact:C2680 T=0.25  
 RoHS Compliant



**AUK** A MEMBER OF AUK GROUP  
**太聯事業股份有限公司**  
**AUK CONTRACTORS CO., LTD.**

CATEGORY		APPROVED BY		UNLESS OTHERWISE SPECIFIED TOLERANCES ARE .X ±0.10 X. ±1* .XX ±0.05 .X ±0.5* .XXX ±0.02 .XX ±0.02*
PART No. MSB5BPS-H		MEI		
DRAWING No. MSB5BPS-H		CHECKED BY HZF		
SCALE NONE		DRAWING BY PEGA		
REV.	A1	UNIT mm		

NO.	REV.	REVISIONS	CHK	DATE
△	A1	Modify 2.00--1.79	HZF	12/08/2008
△	A0	NEW RELEASE	HZF	07/03/2006