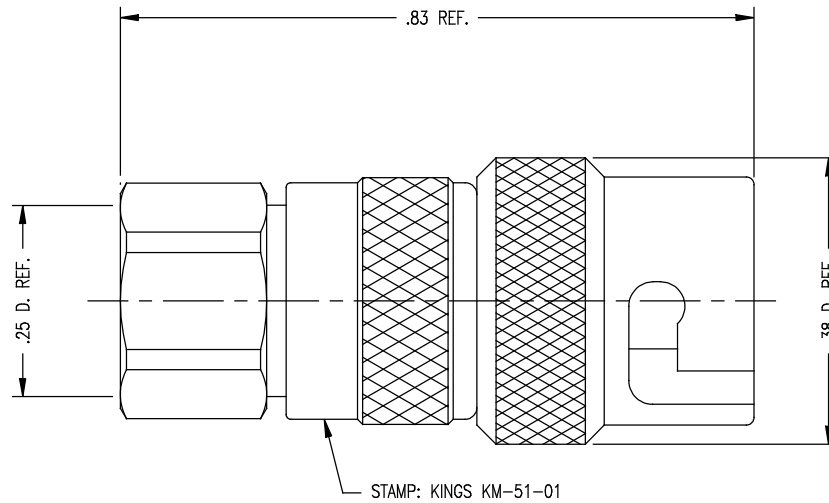


GSD

KM-51-01



NOTES:

1. FOR USE WITH RG-59, 62, 71 & 210/U CABLES.
2. MATERIALS:  
 INSULATORS: TEFLON, ASTM-D-1457  
 SPRING: MUSIC WIRE  
 CONTACT: BER. COP., ASTM-B-196  
 ALL OTHER PARTS: BRASS, ASTM-B16
3. FINISHES:  
 SPRING: CADMIUM PLATE PER QQ-P-416  
 ALL OTHER METAL PARTS: SILVER PLATE PER QQ-S-365
4. ELECTRICAL CHARACTERISTICS:  
 NOMINAL IMPEDANCE: NON-CONSTANT  
 VOLTAGE RATING: 500 VRMS  
 FREQUENCY RANGE: DC TO 500 MHz

REVISIONS

ISSUE	CHANGES
8	CN 29922 C KH 06/13/88

JCA3265

SCALE 6:1

APPROX SURFACE AREA

USED ON

REF:

PLUG, KM

DRAWN JCA DATE 10/23/92

DESIGN MJB DATE 10/23/92

APPR. DATE

**KINGS**  
 ELECTRONICS CO., INC.  
 TUCKAHOE, NEW YORK 10707

GSD

KM-51-01