

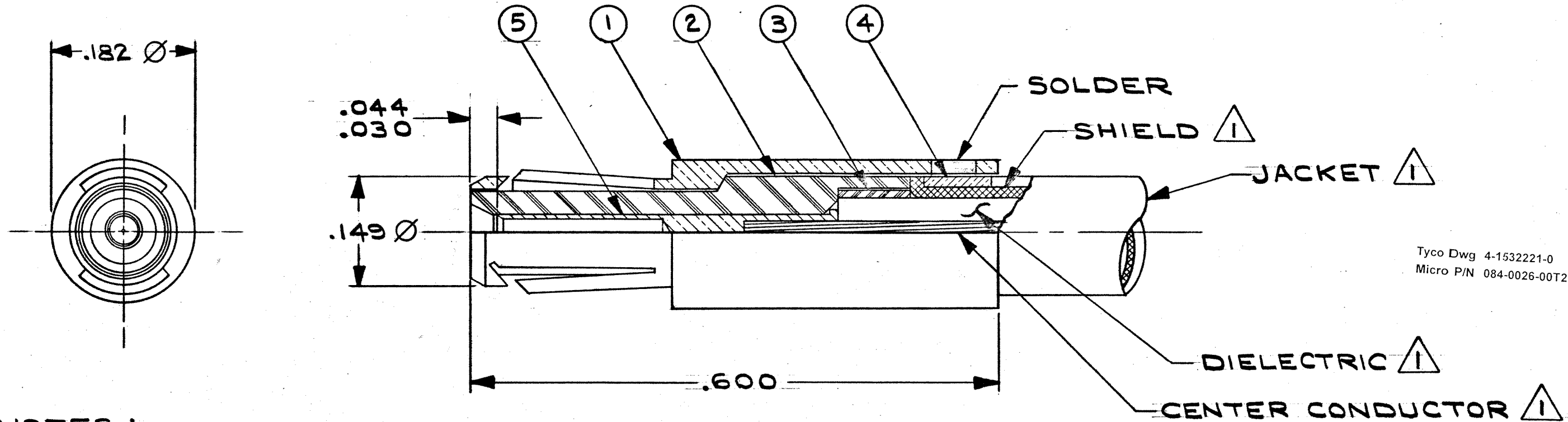
4

3

2

1

REVISIONS					
ZONE	LTR	ENC	DESCRIPTION	DATE	APPROVED
	D	23231	REVISED & REDRAWN.	7/5/78	RJC



NOTES :

- 1 CABLE ACCEPTANCE DIMENSIONS : CENTER CONDUCTOR .013 MAX, DIELECTRIC .104-.100, SHIELD .123-.115, JACKET .154-.137.
- 2. FOR ASSEMBLY INSTRUCTIONS, REFER TO CI-ASMB-1.
- 3 FOR COMPONENT FINISH, REFER TO MEP 202-08.

QTY.	PT. NO.	DESCRIPTION	ITEM NO.
1	083-0561-00R4	COAXIAL SOCKET CONTACT	5
1	083-0191-00Q6	RING, JERK.	4
1	083-0190-0000	BUSHING, BACK-UP	3
1	083-0551-0000	BUSHING, PLUG	2
1	083-0557-00Q6	HOUSING, PLUG	1

PARTS LIST

UNLESS OTHERWISE SPECIFIED DIMENSIONS ARE IN INCHES TOLERANCES ARE: FRACTIONS DECIMALS ANGLES $\pm \frac{1}{64}$ .XX $\pm .02 \pm 3^\circ$ $\pm .XXX \pm .010$		CONTRACT NO.		<b>MALCO</b> A MICRODOT COMPANY, INC. 220 PASADENA AVE., SO. PASADENA, CALIF. 91030	CONTACT PIN COAXIAL ASSY (95 OHM) INTER- CHANGEABLE COAX. CONTACT	PROD. CODE <b>984</b> CODE <b>M</b>	
MATERIAL		APPROVALS	DATE				
FINISH		DRAWN E. MINGWRA	4-7-78				
NEXT ASSY		CHECKED	4-12				
USED ON		PR. ENG. RJC	7/5/78	APPROVED	SIZE	CODE IDENT NO.	DRAWING NO.
APPLICATION		DO NOT SCALE DRAWING		<b>B</b> <b>98278</b> <b>084-0026-00T2</b>		SCALE	SHEET 1 OF 1

These drawings and specifications are the property of Microdot Inc., are issued in strict confidence and shall not be divulged, be reproduced or copied, or used as the basis for the manufacture or sale of any article without written permission of Microdot Inc.

4

3

2

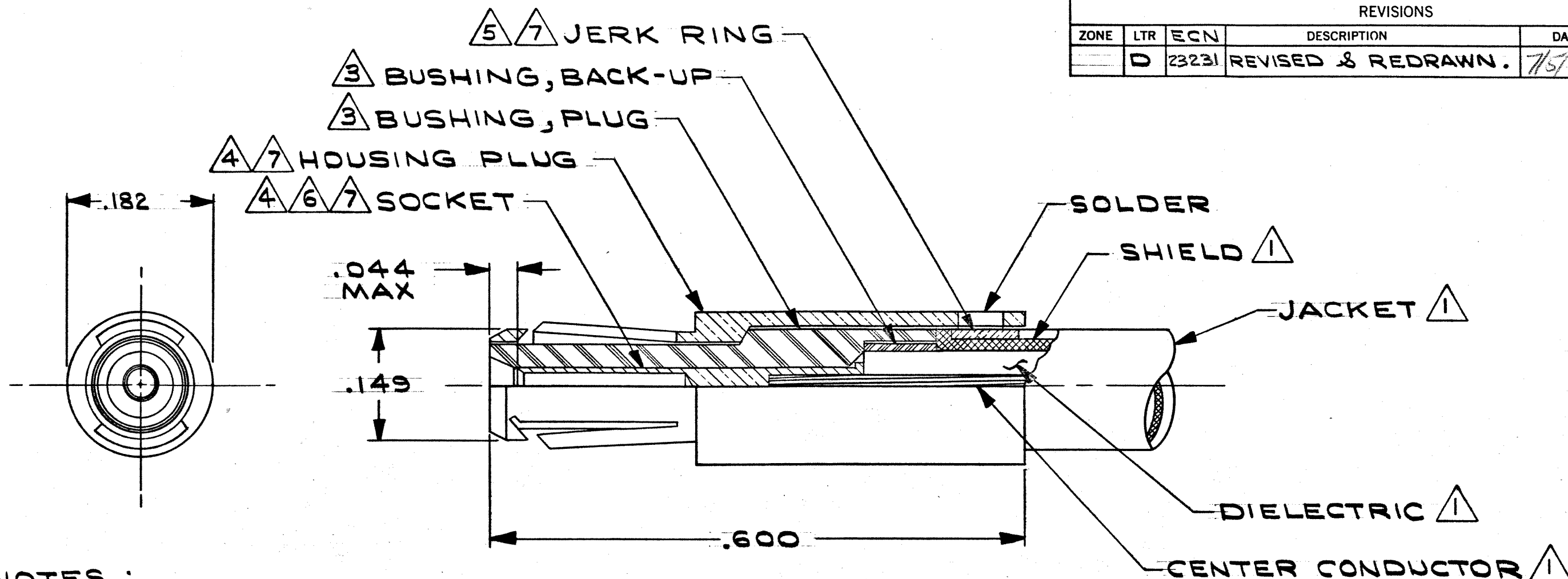
1

REVISIONS					
ZONE	LTR	ECN	DESCRIPTION	DATE	APPROVED
	D	23231	REVISED & REDRAWN.	7/5/78	REC

D

C

A



NOTES :

- 1. CABLE ACCEPTANCE DIMENSIONS : CENTER CONDUCTOR .013 MAX , DIELECTRIC .104-.100 SHIELD .123-.115 , JACKET .154-.137.
- 2. FOR ASSEMBLY INSTRUCTIONS , REFER TO CI-ASMB-1.
- 3. TEFLON PER L-P-403 .
- 4. BERYLLIUM COPPER PER QQ-C-530, HALF HARD
- 5. BRASS PER QQ-B-626, COMP 360, HALF HARD.
- 6. GOLD PLATE PER MIL-G-45204 , TYPE II , CLASS 1, GRADE C.
- 7. SILVER PLATE PER QQ-S-365 TYPE II , CLASS 3, GRADE B .
- 8. THIS CONTACT IS UTILIZED ON THE CIRCULAR CONNECTORS , SEE MALCO'S CATALOG 200-2 .

4-1532221-0

QTY.	PT. NO.	DESCRIPTION	ITEM NO.
------	---------	-------------	----------

PARTS LIST

UNLESS OTHERWISE SPECIFIED DIMENSIONS ARE IN INCHES TOLERANCES ARE: FRACTIONS DECIMALS ANGLES $\pm \frac{1}{64}$ .XX $\pm .03$ $\pm 3^\circ$ .XXX $\pm .015$		CONTRACT NO.		<b>MALCO</b> A MICRODOT COMPANY, INC. 220 PASADENA AVE., SO. PASADENA, CALIF. 91030		CONTACT PIN COAXIAL ASSY (95 OHM) INTER-CHANGEABLE COAX. CONTACT PROD. CODE 984 CODE CD	
MATERIAL		APPROVALS					DATE
FINISH		DRAWN					DATE
NEXT ASSY		CHECKED					DATE
USED ON		PR. ENG.		DATE	DRAWING NO.		
APPLICATION		APPROVED		SIZE		CODE IDENT NO.	
DO NOT SCALE DRAWING		These drawings and specifications are the property of Microdot Inc., are issued in strict confidence and shall not be divulged, be reproduced or copied, or used as the basis for the manufacture or sale of any article without written permission of Microdot Inc.		B		98278	
		SCALE		DRAWING NO.		084-0026-00T2	
		SHEET		1		OF 1	