



CONNOR-WINFIELD CORPORATION

AURORA, IL. 60505
PHONE (630) 851-4722
FAX (630) 851-5040

OSCILLATORS

HIGH FREQUENCY VCXO

SPECIFICATIONS	AV61-*	AV62-*	AV63-*	AV64-*
Frequency Range	30MHz to 100MHz			
Frequency Stability	±25ppm	±50ppm	±100ppm	±20ppm
Temperature Range	-40°C to +85°C			
Waveform	ACMOS Squarewave, TTL Compatible			
Output	Voltage	4.4V Minimum		
	Vol	0.44V Maximum		
	Current	-24mA		
	Iol	24mA		
	Duty Cycle	40/60 Maximum		
Rise/Fall Time	3nS, 15pF Load			
Frequency Control	* Deviation Code (add to model number)			
	100	(±50ppm Minimum)		
	150	(±75ppm Minimum)		
	160	(±80ppm Minimum) Not available above 60MHz		
	200	(±100ppm Minimum) Not available above 60MHz		
	Positive Transfer Characteristic			
Control Voltage	0.5Vdc to 4.5Vdc			
Center Frequency	2.5Vdc ±0.5Vdc			
Monotonic Linearity	< ±10%			
Input Impedance	≥ 50K ohms			
Modulation Bandwidth	≥ 15KHz			
Supply Voltage	+5Vdc ±5%			
Supply Current	35mA Max <50MHz , 60mA Max <90MHz			
Package	All metal, hermetically sealed, welded package			

WARNING! Do not insert oscillator into a hot circuit. Failure to comply will result in damage to oscillator.

Specifications subject to change without notice

BULLETIN #: VX115
PAGE 1 OF 2

REV: 03
DATE: 2/19/97

ISSUED BY: _____



CONNOR-WINFIELD CORPORATION

AURORA, IL. 60505

PHONE (630) 851-4722

FAX (630) 851-5040

EXAMPLE MODEL NUMBER:

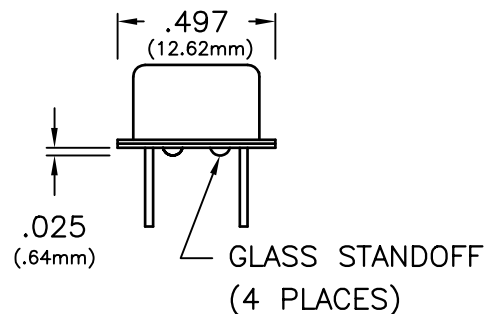
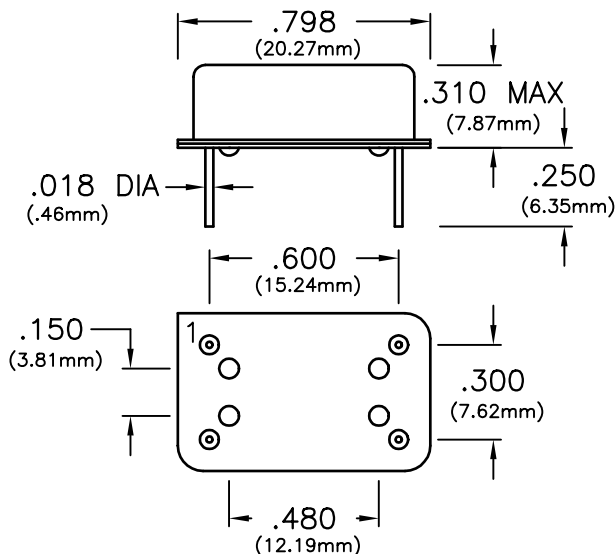
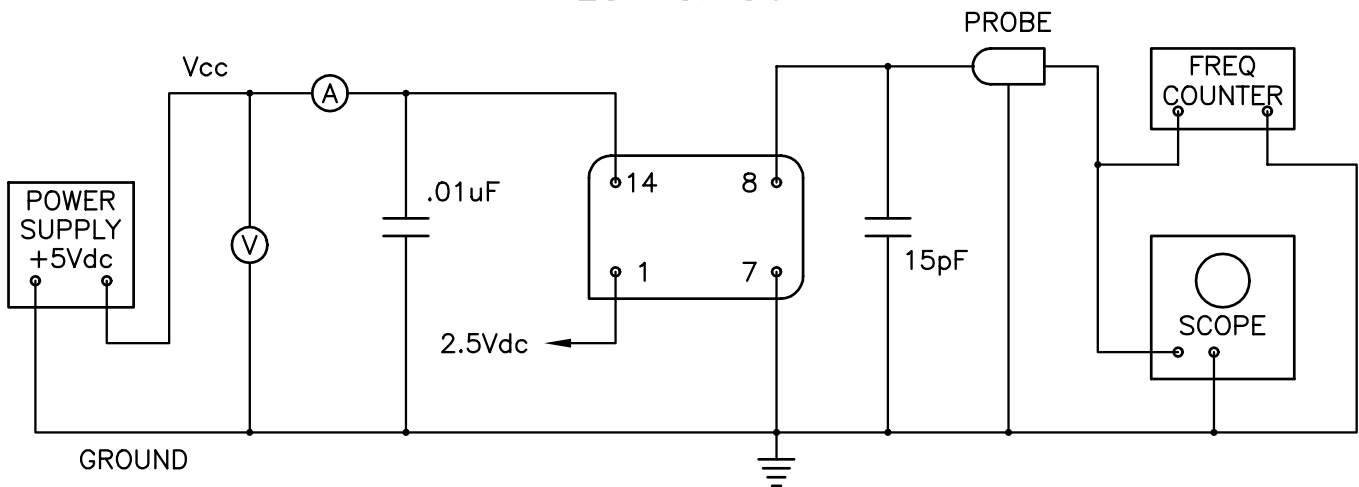
A V 6 3 - 1 0 0 / 4 4 . 7 3 6 M H z

VCXO SERIES

MINIMUM DEVIATION OF
±50ppm FROM 0.5
TO 4.5Vdc CONTROL
VOLTAGE.

CENTER FREQUENCY

TEST CIRCUIT



PIN	CONNECTION
1	CONTROL VOLTAGE
7	GROUND (CASE)
8	OUTPUT
14	(+) SUPPLY

Dimensional Tolerance ±.005

Specifications subject to change without notice

BULLETIN #: VX115
PAGE 2 OF 2

REV: 03
DATE: 2/19/97

ISSUED BY: _____