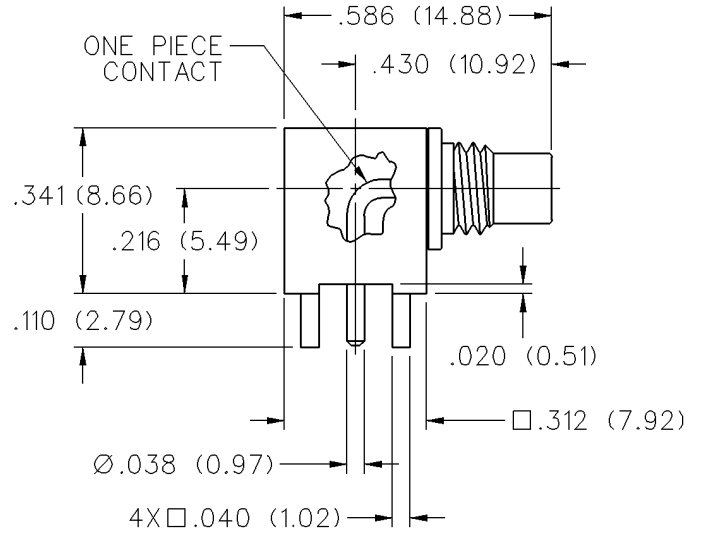
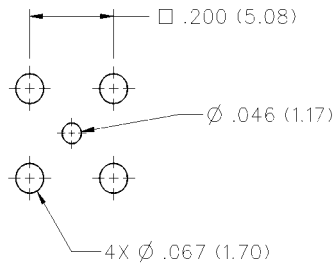


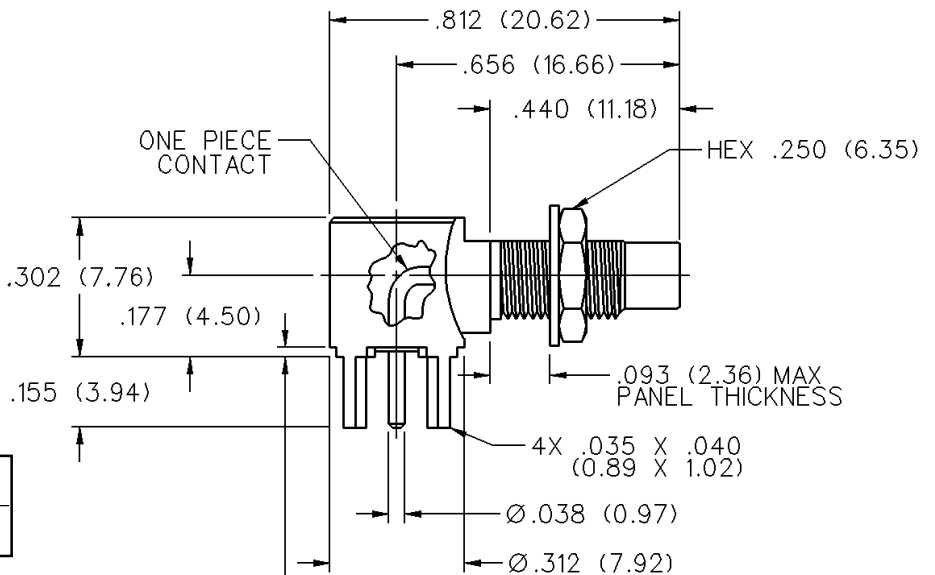
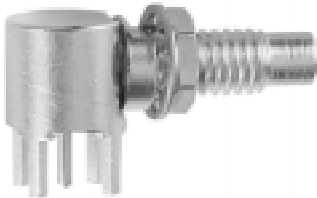
Right Angle Jack Receptacle - Moisture Seal*



NICKEL BODY, GOLD INTERFACE, IR COMPATIBLE*
131-6701-315*

*Tin/Lead Solder dipped legs and Moisture Sealed for IR reflow compatibility.

Right Angle Bulkhead Jack Receptacle



GOLD PLATED	NICKEL PLATED
131-6701-341	131-6701-346

