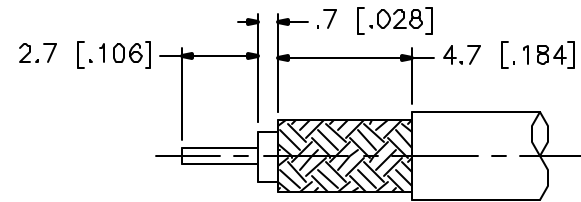
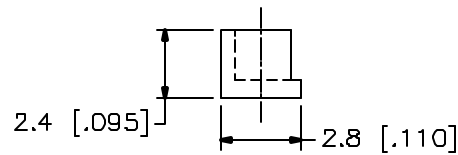
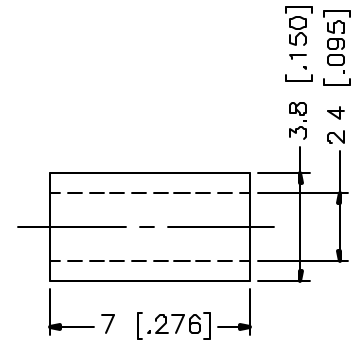
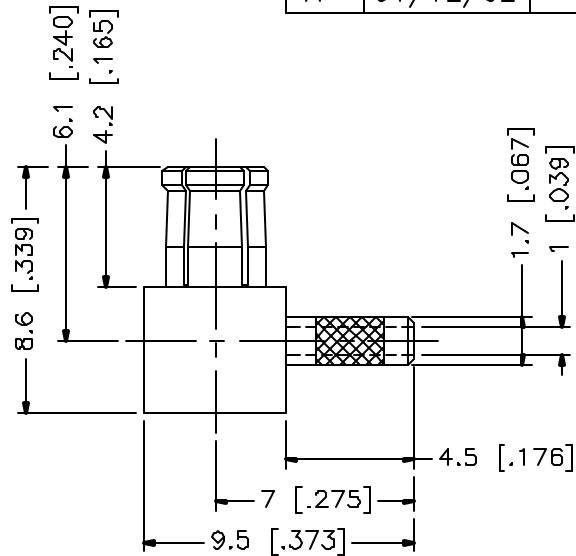
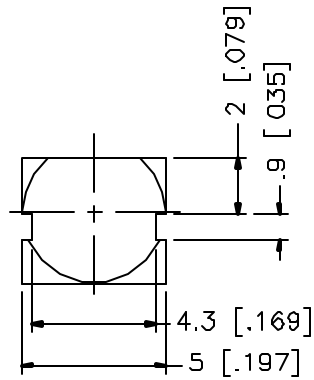
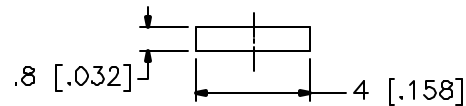



REV.	DATE	DESCRIPTION
A	01/12/02	MODIFY FERRULE LENGTH



RECOMMENDED CABLE STRIPPING DIMENSIONS



DESCRIPTION	MATERIAL	FINISH	UNLESS OTHERWISE SPECIFIED DIMENSIONS ARE IN MILLIMETERS	APPROVALS	DATE	 <b>Connex</b> Connector Corporation			
1 HOUSING	BRASS	NICKEL	DIMENSIONS IN [ ] ARE IN INCHES FOR CUSTOMER REFERENCE ONLY	DRAWN G.R.S.	01/12/02				
2 BODY	BER. COPPER	NICKEL		UNLESS OTHERWISE SPECIFIED TOLERANCES FOR MILLIMETERS ARE 0.5-6 = ± 0.2 6-30 = ± 0.4 30-120 = ± 0.6 120-315 = ± 1 315-1000 = ± 1.6 1000-2000 = ± 2.4	CHECKED		SIZE A	FSOM NO 99001	DWG NO. 252134.DWG
3 INSULATOR	TEFLON	NATURAL			ISSUED		SCALE NA	PART NO 252134	SHEET 1 OF 1
4 CONTACT PIN	BRASS	GOLD							
5 FERRULE	COPPER	NICKEL							
6									
7									
8			DO NOT SCALE DRAWING						