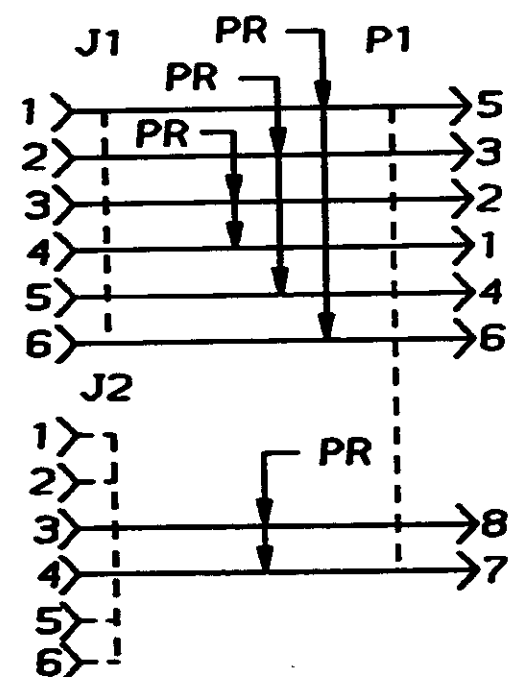
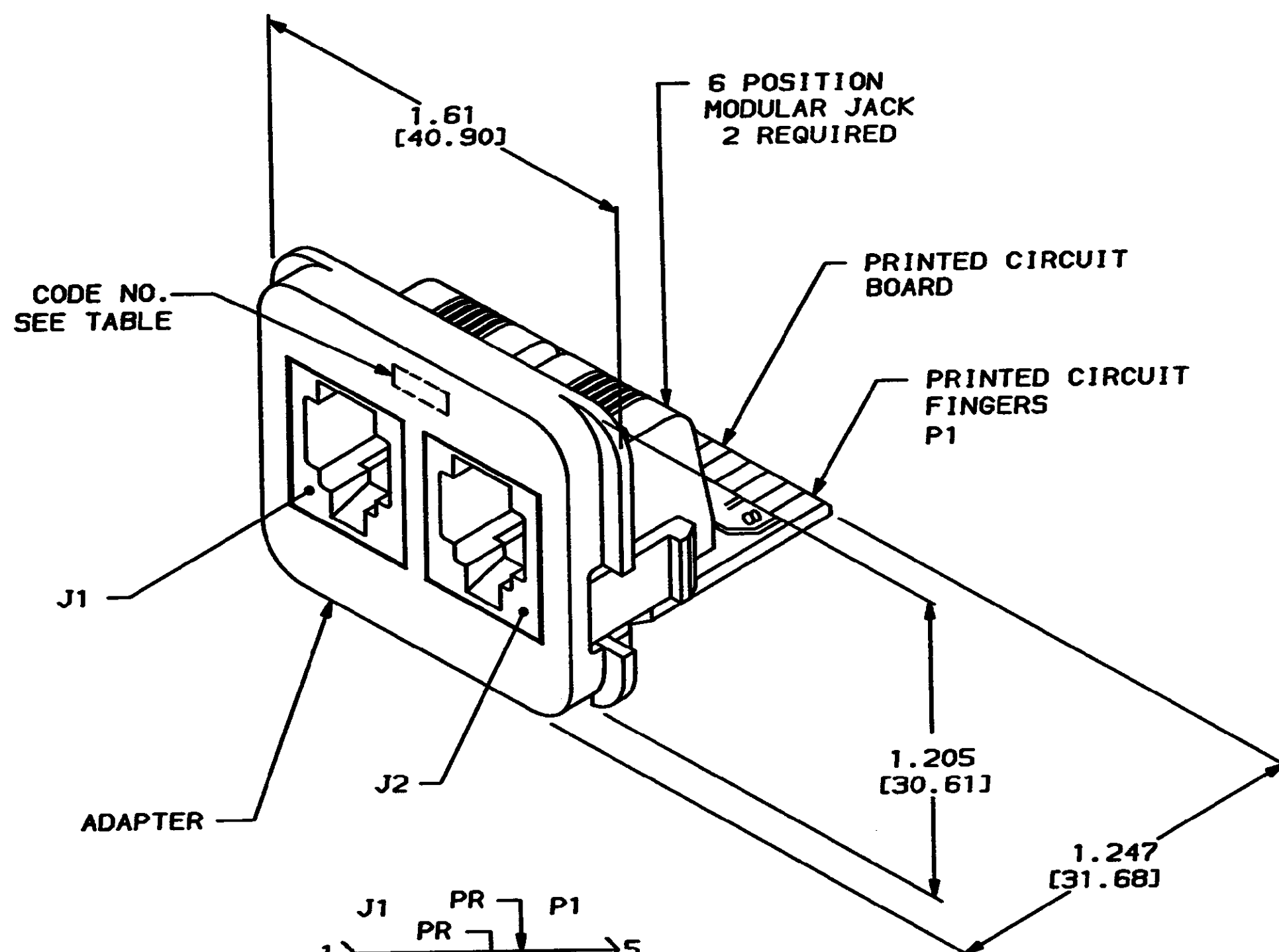


DRAWING MADE IN THIRD ANGLE PROJECTION

THIS DRAWING IS UNPUBLISHED. RELEASED FOR PUBLICATION .19
 © COPYRIGHT 19 BY AMP INCORPORATED. ALL INTERNATIONAL RIGHTS RESERVED.

LOC		DIST		REVISIONS				DATE	APPD
AA	28	P	F	ZONE	LTR	DESCRIPTION			
					D	ADD: -5; NPR C92-109	5-18-92	DS (NJ)	

- ⚠ DIMENSIONS ARE MAXIMUM.
- ⚠ MATERIAL: PRINTED CIRCUIT BOARD - LAMINATED PLASTIC SHEET, .062 [1.57] THICK.
 ADAPTER - ABS MOLDING COMPOUND, SEE TABLE.
 PRINTED CIRCUIT FINGERS - .000020 [0.51μm]
 MINIMUM GOLD PLATE OVER .000050 [1.27μm]
 MINIMUM NICKEL PLATE.
- 3. THIS INSERT IS DESIGNED TO MATE WITH AMP INC. EDGE CONNECTOR KIT AND WALLBOX KITS.
- 4. DIMENSIONS IN BRACKETS [] ARE IN MILLIMETERS.



ELECTRICAL SCHEMATIC

BLACK	17-5	WHITE	555617-5
BLACK	17-4	NEMA GRAY	555617-4
WHITE	17-3	BLACK	555617-3
BLACK	17-1	LIGHT ALMOND	555617-1
MARKINGS COLOR	CODE NO.	ADAPTER COLOR	PART NO

DO NOT SCALE PRINT. UNLESS SPECIFIED DIMENSIONS IN INCHES DIMD TOLERANCES ON : 2 PLC DEC ± 3 PLC DEC ± ANGLES ±	DR C. YATES CHK B. FOX APPD J.R. SCHLUNZ APPD J.B. WILKERSON PRODUCT SPEC	9-12-88 10-10-88 10-18-88 18-18-88	AMP AMP INCORPORATED Harrisburg, Pa. 17105 NAME INSERT ASSEMBLY, MODULAR JACK, DUAL, 6 POSITION, 3 PAIR/1 PAIR, AMP COMMUNICATION OUTLET
MATERIAL	FINISH	APPLICATION SPEC	
		WEIGHT	SIZE C FSCM NO 00779 DRAWING NO 555617 SCALE 2:1 SHEET 1 OF 1

CAD DRAWINGS
 THIS DRAWING WAS CREATED ON A COMPUTER AIDED DESIGN (CAD) SYSTEM. TO INSURE THE INTEGRITY OF THE DATA BASE ALL CHANGES/REVISIONS MUST BE MADE ON THE CAD SYSTEM.