

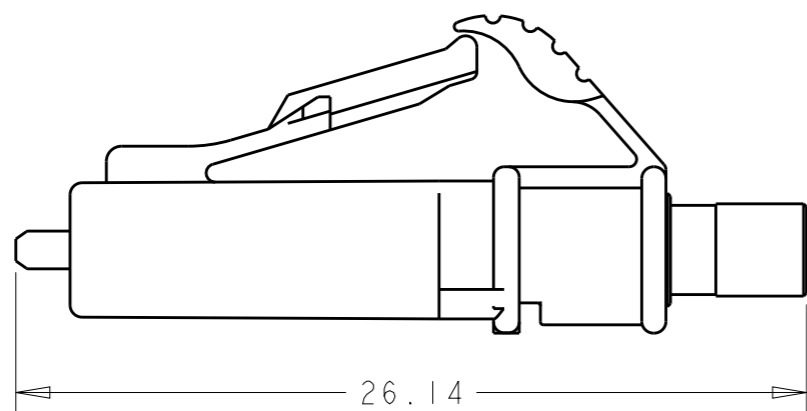
THIS DRAWING IS UNPUBLISHED.

RELEASED FOR PUBLICATION

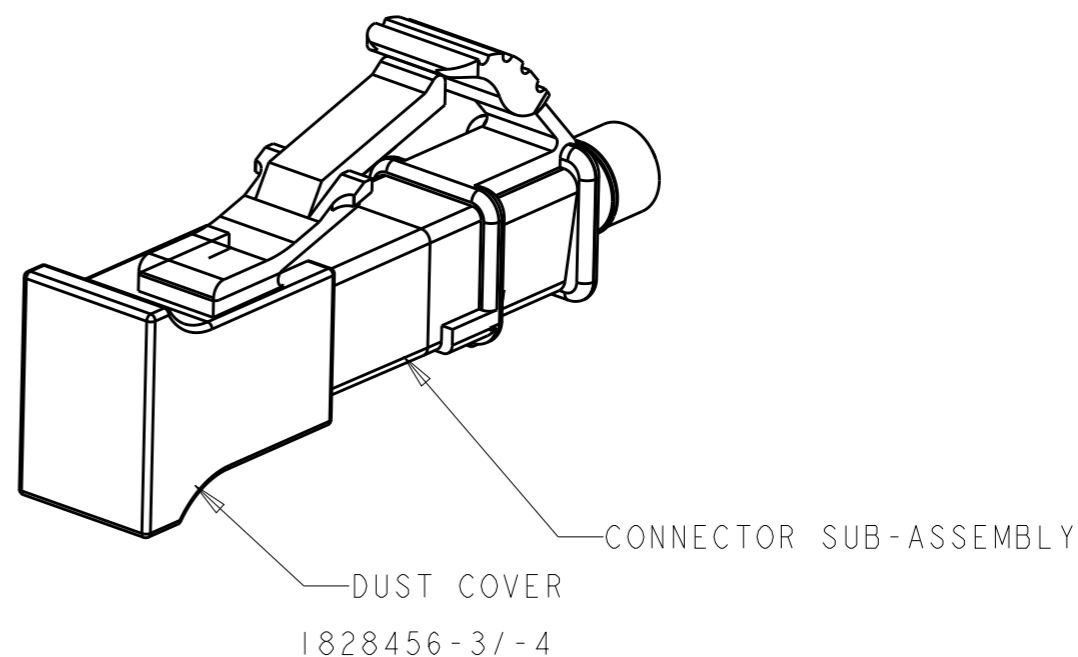
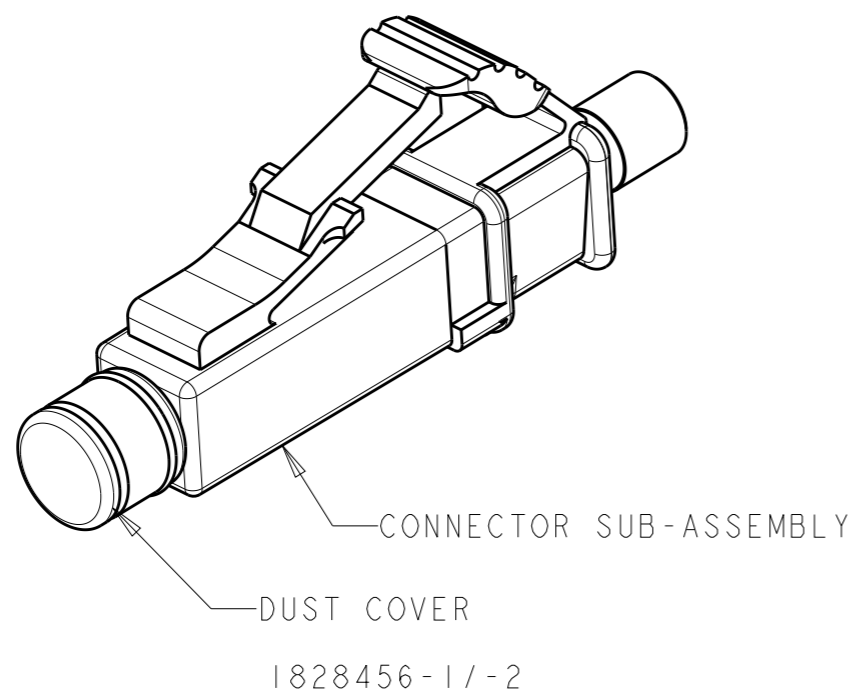
© COPYRIGHT -

ALL RIGHTS RESERVED.

LOC	DIST	REVISIONS				
P	LTR	DESCRIPTION	DATE	DWN	APVD	
	C	REV PER ECR-10-009334	12MAY2010	IL	CT	
	C1	REV PER ECR-11-004322	9MAR2011	LL	CT	
	C2	ADD NEW DASH -4	28DEC2012	SW	RZ	
	D	REV PER ECR-13-001434	25JAN2013	SW	RZ	



CONNECTOR SUB-ASSEMBLY



PVC	WHITE	1828456-4
PVC	WHITE	1828456-3
TPE	BLACK	1828456-2
TPE	BLACK	1828456-1
<b>1</b> MATERIAL	COLOR OF DUST COVER	PART NO

**1** MATERIAL:  
 DUST COVER - SEE TABLE FOR DETAIL, UL 94 V-0 \*  
 FERRULE SUB ASSEMBLY - ZIRCONIA/METAL  
 COMPRESSION SPRING - STAINLESS STEEL  
 HOUSING - PEI, BLUE, UL 94 V-0 \*  
 INNER TUBING - PTFE, CLEAR, UL VW-1  
 REAR BODY - ALUMINUM

\* RATED AT QUALIFYING THICKNESS

2. BULK PACKAGED.

THIS DRAWING IS A CONTROLLED DOCUMENT.		DWN E. HOPKINS 16FEB2006																
DIMENSIONS: mm		CHK D. ROHDE 16FEB2006																
TOLERANCES UNLESS OTHERWISE SPECIFIED:		APVD D. BAECHTLE 16FEB2006	NAME CONNECTOR ASSEMBLY, ONE-PIECE LC SINGLE MODE															
<table border="0"> <tr> <td>0 PLC</td> <td>±-</td> </tr> <tr> <td>1 PLC</td> <td>±-</td> </tr> <tr> <td>2 PLC</td> <td>±-</td> </tr> <tr> <td>3 PLC</td> <td>±-</td> </tr> <tr> <td>4 PLC</td> <td>±-</td> </tr> <tr> <td>ANGLES</td> <td>±-</td> </tr> </table>		0 PLC	±-	1 PLC	±-	2 PLC	±-	3 PLC	±-	4 PLC	±-	ANGLES	±-	PRODUCT SPEC -	SIZE A3	CAGE CODE -	DRAWING NO C-1828456	RESTRICTED TO -
0 PLC	±-																	
1 PLC	±-																	
2 PLC	±-																	
3 PLC	±-																	
4 PLC	±-																	
ANGLES	±-																	
MATERIAL -	FINISH -	APPLICATION SPEC -	WEIGHT -	CUSTOMER DRAWING														
			SCALE 4:1	SHEET 1	OF 1	REV D												