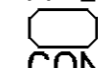
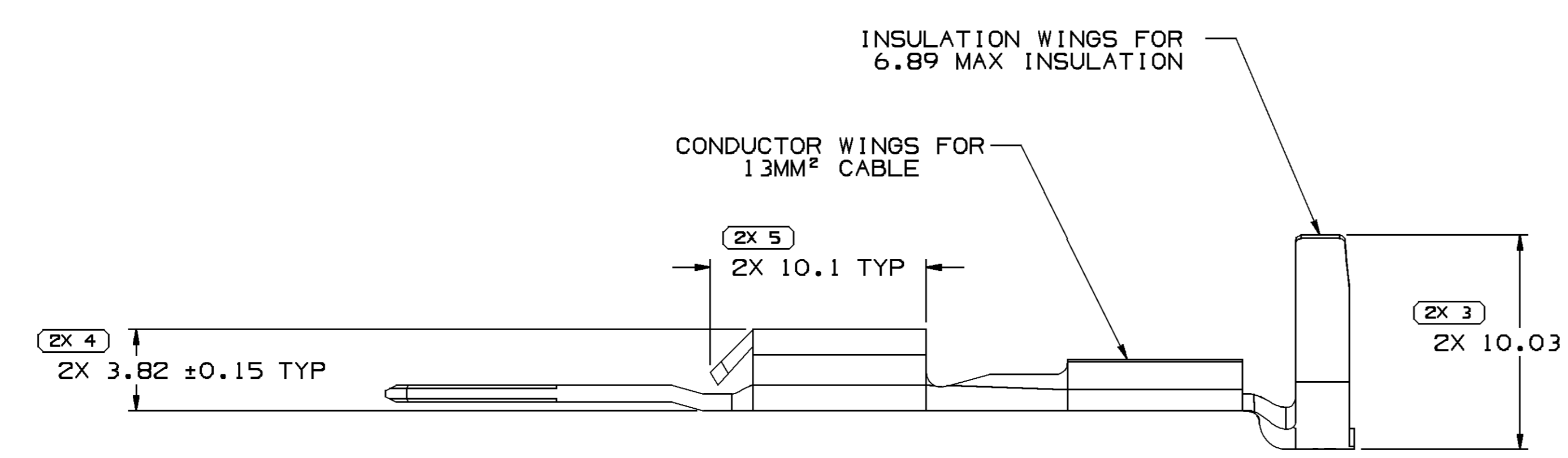
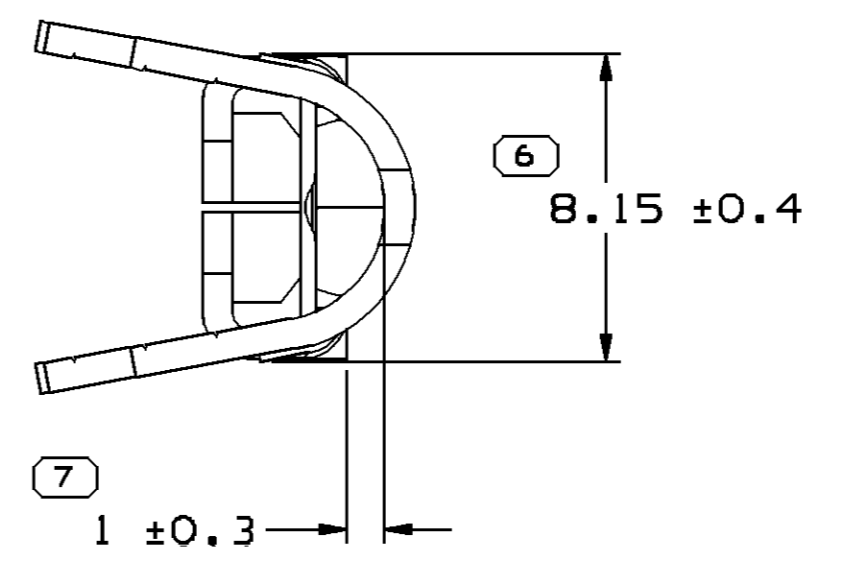
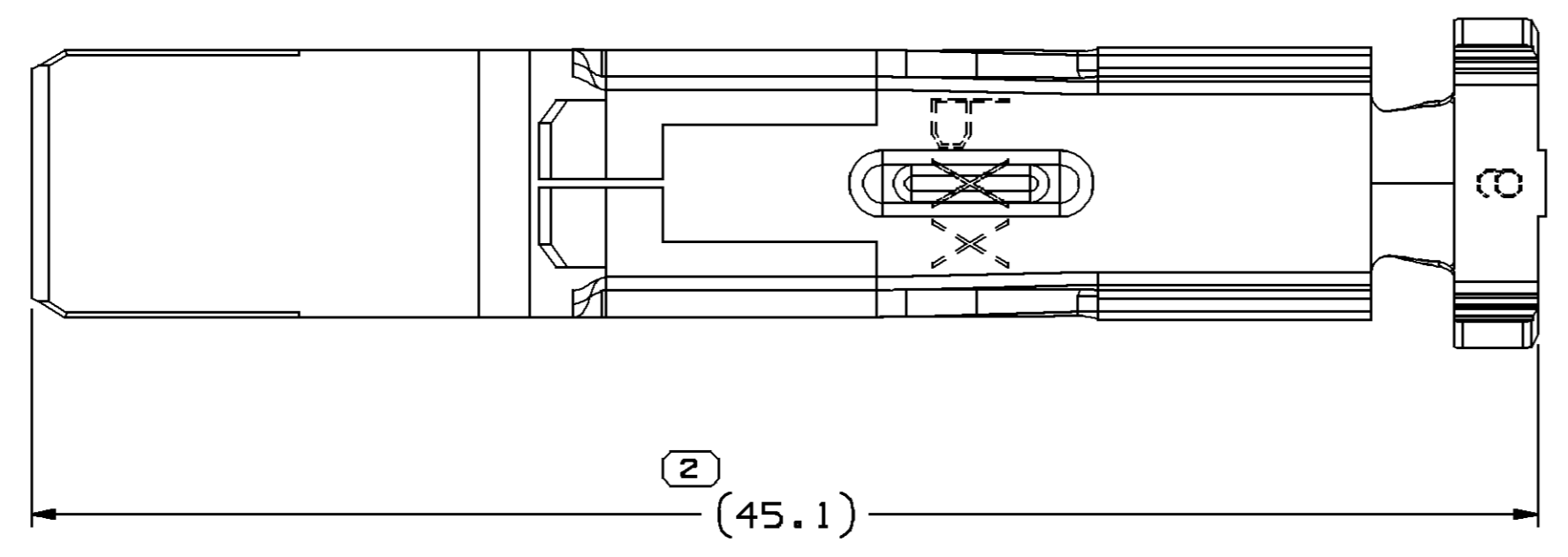
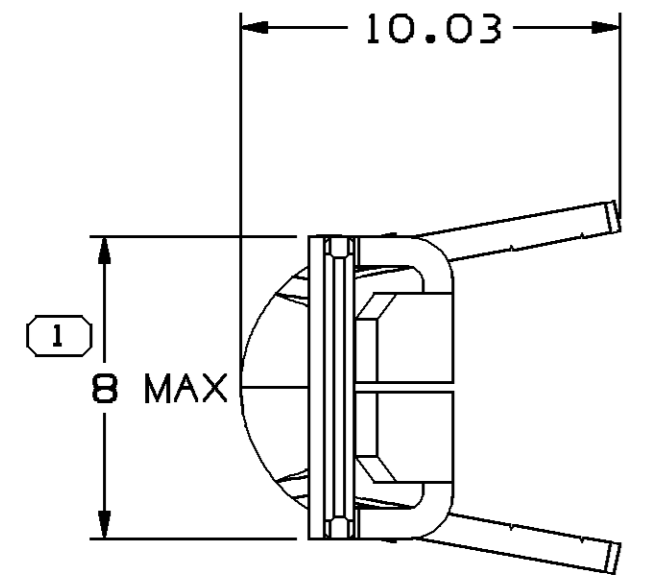


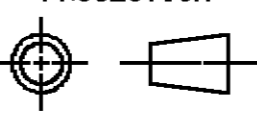

| SYMBOL DEFINITION | |
|---|--|
| A DIMENSION WITHOUT AN INSPECTION REPORT SYMBOL  DOES NOT REQUIRE INSPECTION. IT MAY BE CONTROLLED ON THE INDIVIDUAL COMPONENT DRAWING. | TOTAL NO OF INSPECTIONS REQUIRED 10 |
| | LAST NO. USED 7 |

| MISSING SYMBOLS | | | | | NO MISSING SYMBOL NUMBER | | | | | |
|-----------------|-----|-----|-----|-----|--------------------------|---|--------|-----|-------|-------|
| DATE | STG | REV | N/P | CHG | ZONE | REVISION HISTORY | AUTH | DR | APVD1 | APVD2 |
| 03JUN02 | R | 01 | - | - | | WAS PE096067 AND RELEASED | 225913 | CJP | CJP | RF |
| 17SE02 | R | 01 | AA | - | | DIM #2 WAS 45.1±0.3 | 230743 | TLD | TLD | RF |
| 09MY07 | R | 01 | AB | - | | MAT'L SPEC WAS CDA 151 ALLOY 1/2 HT NIKEL AND SILVER PLATED | 401386 | ACG | JAA | LRD |



- NOTES
- UNLESS OTHERWISE SPECIFIED AND/OR INDICATED:
DIMENSIONS ARE TO FACE OF VIEW SHOWN AND AUTOMATICALLY ROUNDED BY COMPUTER FOR INSPECTION (SEE MATH MODEL FOR PRECISE DIMENSIONS). FOR ALL OTHER DIMENSIONS NOT SHOWN BUT REQUIRED FOR TOOL BUILD, SEE MATH MODEL FOR PRECISE TOOL PATH DATA.
 - TERMINAL IS USED IN CONJUNCTION WITH CONNECTOR 15326119 AND SEAL 15355390.

| | |
|--|---------|
| 2 PROCESS SENSITIVE DIMENSION | |
| DIMENSIONS ENCLOSED IN () INDICATE REFERENCE DIMENSIONS AND NO TOLERANCE LIMITS ARE ESTABLISHED | |
| DIMENSIONAL RANGE (MM) | CHART D |
| FROM 0 | > 12 |
| TO 12 | |
| TOLERANCE UNLESS OTHERWISE SPECIFIED | |
| ±0.1 | ±0.2 |
| ANGULAR TOLERANCE ±2° | |

| | |
|---|-------------------------------|
| DWG TYPE PART DRAWING | |
| STYLE | |
| VOLUME (CPI) 0.393 | DISTR CODE D |
| UNLESS OTHERWISE SPECIFIED THIS DOCUMENT IS IN ACCORDANCE WITH ASME Y14.5M-1994 AS AMENDED BY THE 04 GLOBAL DIMENSIONING AND TOLERANCING ADDENDUM - 1997. ALL GEOMETRIC TOLERANCES AND RELATED DATUMS APPLY RFS. RULE #1 (PERFECT FORM AT MMC) DOES NOT APPLY WHEN RELATIONSHIP BETWEEN FEATURES IS ESTABLISHED BY ORIENTATION OR LOCATION TOLERANCES. SEPARATE POSITION CALLOUTS MAY BE GAGED SEPARATELY, REGARDLESS OF DATUM REFERENCE. ALL DIMENSIONS ARE IN MILLIMETERS | |
| REFERENCE | |
| THIRD ANGLE PROJECTION | DO NOT SCALE USE MATH DATA |
|   | |

DELPHI
DELPHI PACKARD ELECTRICAL/ELECTRONIC ARCHITECTURE
WARREN, OH

| | |
|---------------------|---------|
| DR | DATE |
| APVD1 CHUCK PAPAS | 03JUN02 |
| APVD2 CHUCK PAPAS | 03JUN02 |
| APVD3 RICK FETCENKO | 04JUN02 |
| APVD4 | |
| APVD5 | |

SUBSTANCES OF CONCERN AND RECYCLED CONTENT PER DELPHI 10945001

MATERIAL
MS259C80 C15100 1/2 HD

DRAWING NAME
TERM M M/P 800 A0 SEALED

DRAWING NUMBER
15430290

| | | | | | | |
|------------|--------------|--------------------|--------------------|----------|-----------|-----------|
| SIZE A1 | SCALE 5:1 | FRAME NO 1 OF 1 | SHEET NO 1 OF 1 | STG R | REV 01 | N/P AB |
|------------|--------------|--------------------|--------------------|----------|-----------|-----------|