

# High efficiency, single-character alphanumeric displays

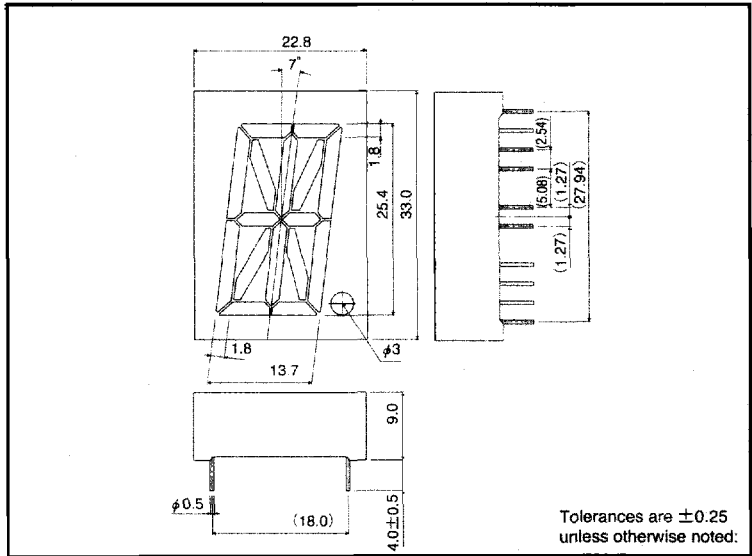
## LA-131 AK Series

The LA-131 AK series are LED alphanumeric displays designed to be used in bright locations. The height of the character is 25.4 mm, and the color is bright red. These displays have been designed for use as large numeric displays.

● Features

- 1) Height of character : 25.4 mm.
- 2) Dimensions : 22.8 × 33 × 9 mm.
- 3) Common anode and common cathode configurations are available.
- 4) The package surface is coated black and the segments are milky white.
- 5) High luminance, clear display.

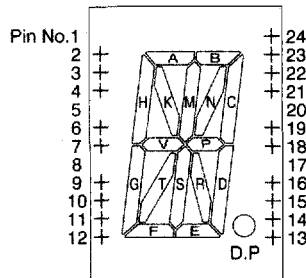
● External dimensions (Unit: mm)



● Selection guide

Emitting color		Red
Common		
Anode		LA-131LA
Cathode		LA-131LK

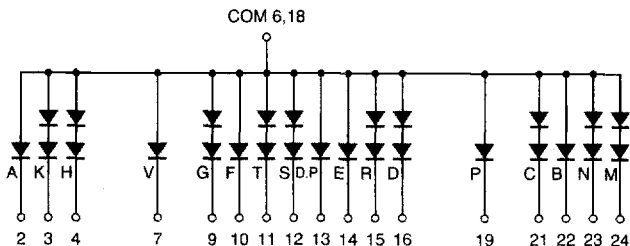
● Pin layout



Pin No.	Function
2	Segment "A"
3	Segment "K"
4	Segment "H"
6	Common
7	Segment "V"
9	Segment "G"
10	Segment "F"
11	Segment "T"
12	Segment "S"
13	Segment "D.P"
14	Segment "E"
15	Segment "R"
16	Segment "D"
17	Common
18	Common
19	Segment "P"
21	Segment "C"
22	Segment "B"
23	Segment "N"
24	Segment "M"

LED Numeric Displays

● Internal circuit schematic (example of common anode)



● Absolute maximum ratings (Ta = 25°C)

Parameter	Symbol	Red	Unit
		LA-131LA/LK	
Power dissipation	P <sub>D</sub>	1500	mW
Power dissipation	P <sub>D</sub> /seg	125/2 elements 62.5/1 element	mW
Forward current	I <sub>F</sub>	25	mA
Peak forward current	I <sub>FP</sub>	80*	mA
Reverse voltage	V <sub>R</sub>	8/2 elements 4/1 element	V
Operating temperature	T <sub>opr</sub>	-25~75	°C
Storage temperature	T <sub>stg</sub>	-30~85	°C

\* Pulse width 1ms Duty 1/5

● Electrical and optical characteristics (Ta = 25°C)

Parameter	Symbol	Conditions	Red			Unit
			Min.	Typ.	Max.	
Forward voltage	V <sub>F</sub>	I <sub>F</sub> =20mA	—	1.75	2.5	V
Reverse current	I <sub>R</sub>	V <sub>R</sub> =3V	—	—	100	μA
Peak wavelength	λ <sub>P</sub>	I <sub>F</sub> =20mA	—	660	—	nm
Spectral line half width	Δλ	I <sub>F</sub> =20mA	—	25	—	nm

\* Not designed for radiation resistance.

The forward voltage and reverse current values are the guaranteed values per element.

● Luminous intensity

Color	λ <sub>p</sub>	Type	Min.	Typ.	Max.	Unit
Red	660	LA-131LA	36	100	—	mcd
		LA-131LK				

Note: Measured at I<sub>F</sub> = 20 mA