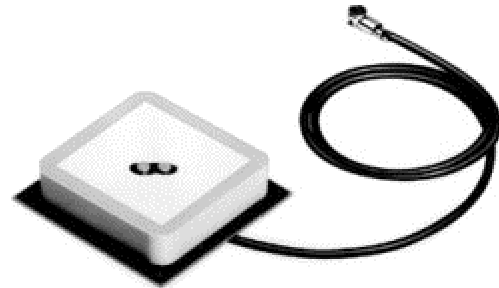


DESCRIPTION

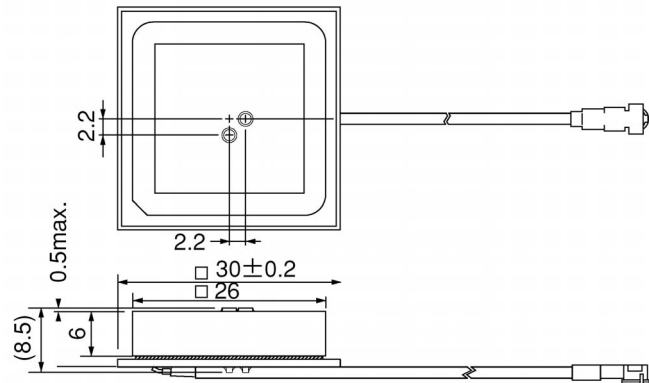
The TOKO ASWR02H is a wide-directivity, circularly polarized dielectric antenna unit specifically designed for 2.45GHz ISM applications including IEEE 802.11b wireless networking. The ASWR02H antenna unit consists of a dielectric antenna element mounted with adhesive tape to a printed circuit board soldered to a coaxial cable with RF connector.



FEATURES

- Miniature footprint: 30mm x 30mm
- Low profile: 8.5mm
- Center Frequency: 2450 MHz
- Bandwidth: ± 50 MHz
- Peak Gain (at center axis): 2.14 dBi (typ.)
- SWR: 2.0 max.
- Impedance: 50 Ω
- Operating temperature: - 20°C to + 85°C
- Storage temperature: - 30°C to + 90°C

DIMENSIONS

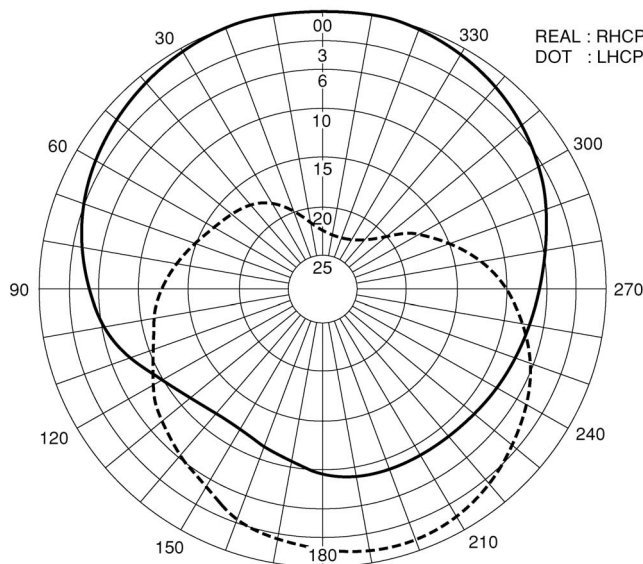


Units: mm

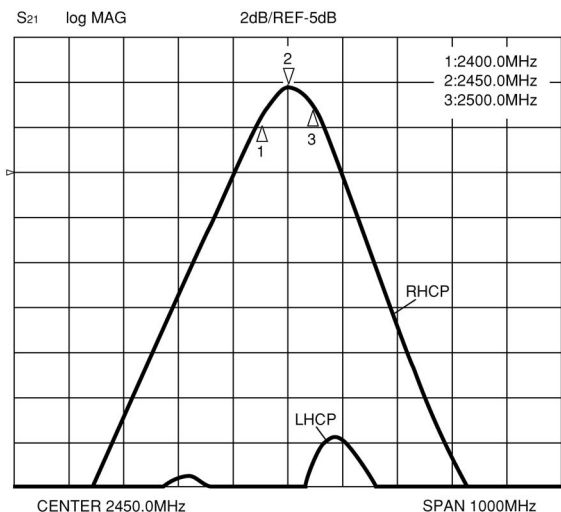
TOKO Part No.	Cable and Connector Option
ASWR02HB1	Hirose connector HFL & 90mm cable
ASWR02HB2	Hirose connector HFL & 155mm cable
ASWR02HP1	Hirose connector HFL & 260mm cable
ASWR02HP2	Hirose connector HFL & 65mm cable
ASWR03	Without cable or connector

TYPICAL CHARACTERISTICS

Directivity Plot

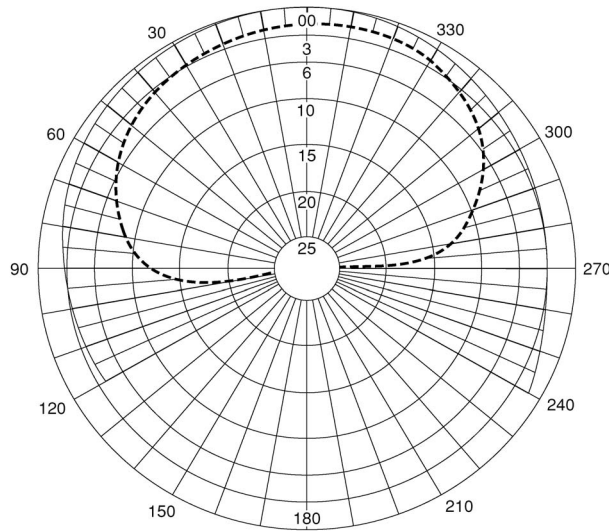


Receiving Signal Response Over Frequency

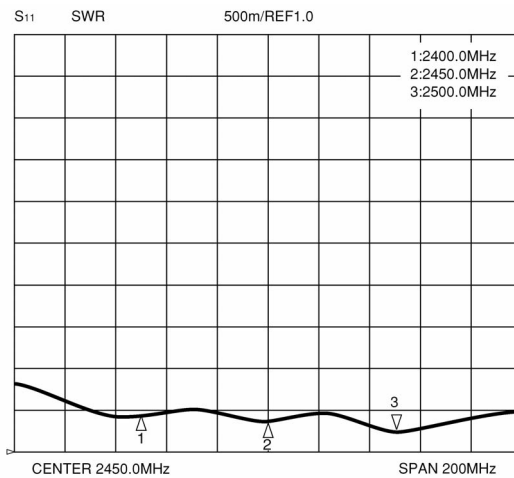


TYPICAL CHARACTERISTICS

Axial Ratio vs. Elevation Angle



SWR



The information furnished by TOKO, Inc., is believed to be accurate and reliable. However, TOKO reserves the right to make changes or improvements in the design, specification, or manufacture of its products without further notice. TOKO does not assume any liability arising from the application or use of any product or circuit described herein, nor for infringements of patents or other rights of third parties which may result from the use of its products. No license is granted by implication or otherwise under any patent or patent rights of TOKO, Inc.