



Tel (toll-free): +1-855-32-AAVID

[Register](#) [Log in](#)

<a href="#">Home</a>	<a href="#">Products</a>	<a href="#">Solutions</a>	<a href="#">Aavid Design</a>	<a href="#">Tools &amp; Docs</a>	<a href="#">Contact</a>	<a href="#">Company</a>	<a href="#">Online Store</a>
----------------------	--------------------------	---------------------------	------------------------------	----------------------------------	-------------------------	-------------------------	------------------------------

» [Board Level Products](#)

## 574502B00000G

TO-220, TO-220-single gauge (0.020")



Qty in stock: 9,352

Enter QTY:

**Need assistance?**

Call us: 1-855-32-AAVID

Email: [estore@aavid.com](mailto:estore@aavid.com)

» [Help Page](#)

**Check Stock**

Enter a part number for pricing and availability.

Low cost labor saving slide on heat sink featuring spring action

This non-electronic component is functionally unaffected by the normal soldering or reflow processes used for semiconductor circuits. The heat resistance time or heat resistance temperature is not applicable for the component.

**Height:** 19.05

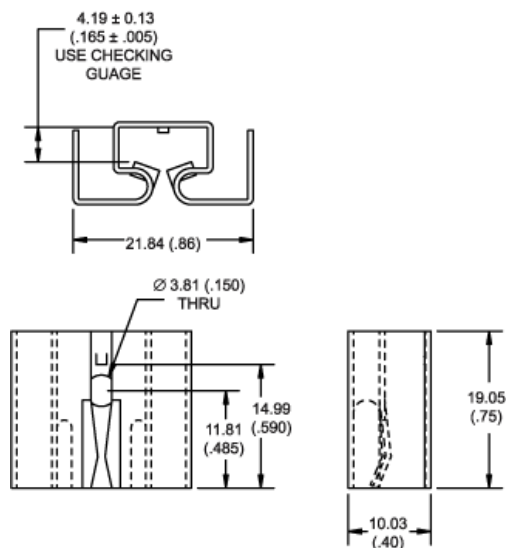
**Mount Orientation:** Vertical & Horizontal

**Finish:** Black Anodize

**RoHS:** compliant

[Download PCN](#)

**Thermal Resistance:** 21.20



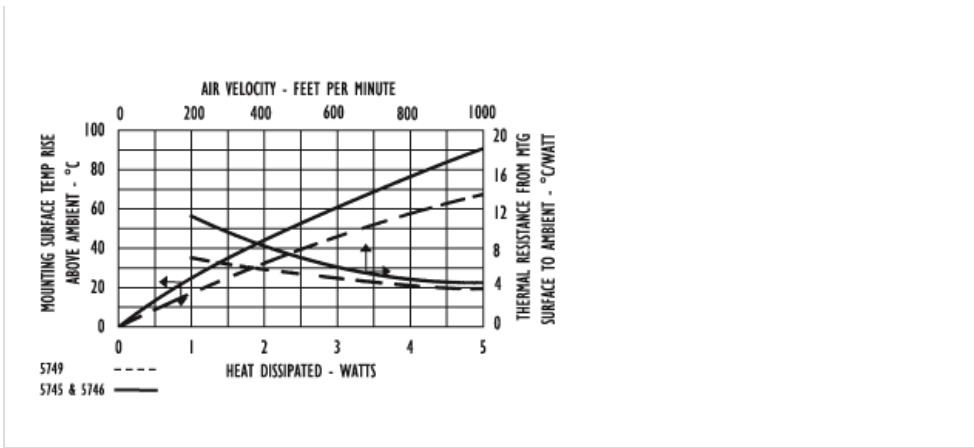
X Dim: 10.54 (0.415) | Y Dim: 4.06 (0.160) | Z Dim: 1.91 (0.075)

[Request a Sample](#) ▶

[Request a Quote](#) ▶

[Ask an Engineer](#) ▶

- » [Product Return Policy](#)
- » [Terms & Conditions](#)
- » [Privacy Policy](#)



**Customer Assistance**

- [Contact Us](#)
- [Get Design assistance](#)
- [Find a Distributor](#)
- [Find a Sales Rep](#)
- [Request a Quote](#)
- [Placing an Order](#)
- [Terms and Conditions](#)
- [Returns](#)

**Popular Products**

- [Extrusions](#)
- [Board Level](#)
- [Liquid Cooling](#)
- [Heat Pipe Technology](#)
- [Heat Sink Accessories](#)
- [Interface Materials](#)

**Our Company**

- [About Aavid](#)
- [News and Events](#)
- [Management Team](#)
- [Worldwide Locations](#)
- [Directions to Headquarters](#)
- [Disclaimer](#)
- [Customer Survey](#)
- [Privacy Policy](#)

Sign up to receive Aavid news & alerts



Aavid will lead the electronics thermal management industry worldwide. We will be the first company customers call to enable their thermal designs anywhere in the world. We will respond with extraordinary speed and will provide them with timely and cost-effective solutions because we understand their needs, their industry, and their culture. 2012 Aavid Thermalloy, LLC