

Features

- IEEE 802.3af Ethernet Compatible
- Designed for AMD IC manufacturers
- Fully integrated for adapter, hub and motherboard applications
- Lead free version available (see How to Order)
- Lead free version is RoHS compliant*

Applications

- LAN (Local Area Network)
- Ethernet

PT61017 LAN 10/100 Base-Tx

Electrical Specifications @ 25 °C

Turns Ratio	
TX ± 5%	1CT*:1CT*
RX ± 5%	1CT*:1CT*
OCL (uH min)	350
Interwinding Capacitance	
C _{ww} (pF typ.)	20
Leakage Inductance L _s (uH max.)	0.5
Hipot 60 sec. (Vrms)	1500
DCR (Ω max.)	0.9
Polarity	
	1-16, 6-11 In-Phase
Insertion Loss	
	0.3-100 MHz - 1.1 dB Max. (TX/RX)
Return Loss	
0.3-30 MHz	-18 dB Min. (TX/RX)
40 MHz	-15 dB Min. (TX/RX)
50 MHz	-13 dB Min. (TX/RX)
60-80 MHz	-12 dB Min. (TX/RX)
Cross Talk	
0.3 - 60 MHz	-42 dB Min. (TX to RX)
60-100 MHz	-35 dB Min. (TX to RX)
Common Mode Rejection	
0.3-30 MHz	-40 dB Min. (TX/RX)
60-100 MHz	-35 dB Min. (TX/RX)
80-100 MHz	-30 dB Min. (TX/RX)
Operating Temperature	
	0 °C to +70 °C

*CT: Center tap

Material

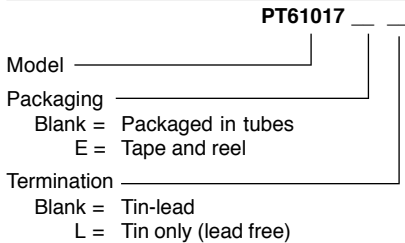
Termination	
PT61017	Phosphor Bronze/Tin-Lead
PT61017L	Phosphor Bronze/Tin

Packaging Specifications

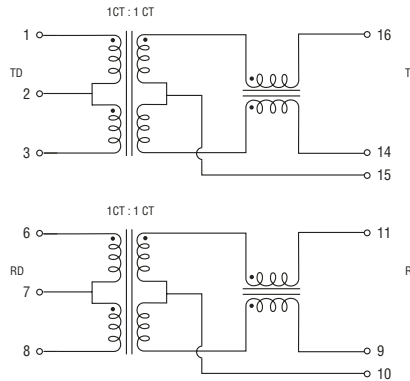
Tube	50 pcs./tube
Tape & Reel*	750 pcs./reel

*Optional "E" suffix at end of part number designates tape & reel packaging - e.g. PT61017E.

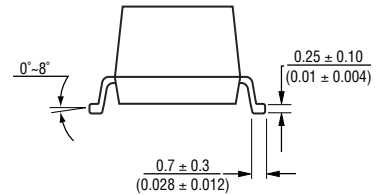
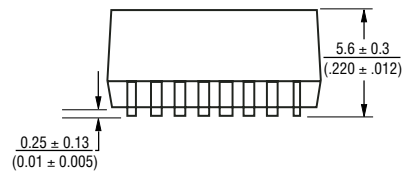
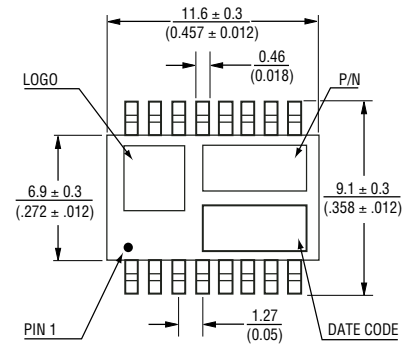
How to Order



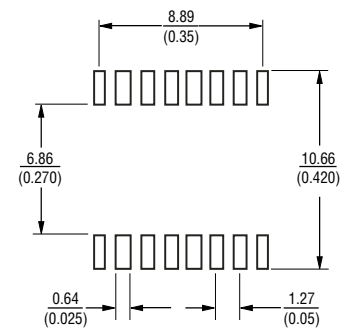
Electrical Schematic



Product Dimensions



Recommended Layout



DIMENSIONS: MILLIMETERS
(INCHES)

REV. 07/07

*RoHS Directive 2002/95/EC Jan 27 2003 including Annex

Specifications are subject to change without notice.

Customers should verify actual device performance in their specific applications.