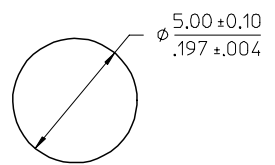
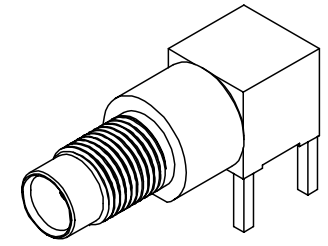
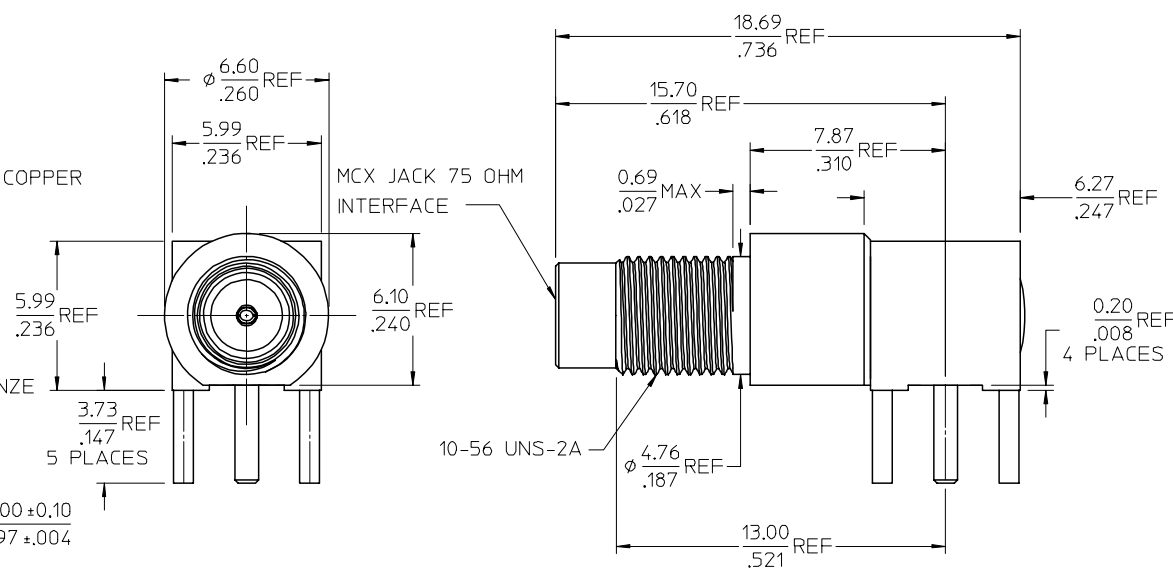


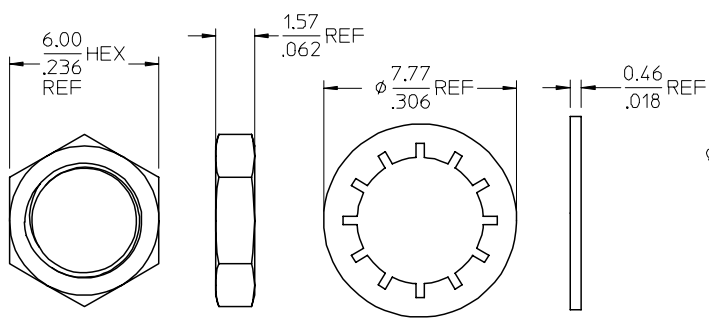
13 12 11 10 9 8 7 6 5 4 3 2 1

MATERIALS AND FINISHES

- BODY, JAM NUT BRASS
PLATED GOLD
- CENTER CONTACT BERYLLIUM COPPER
PLATED GOLD
- INSULATOR ULTEM
- INSULATOR TEFLON
- LOCKWASHER PHOSPHOR BRONZE
PLATED GOLD



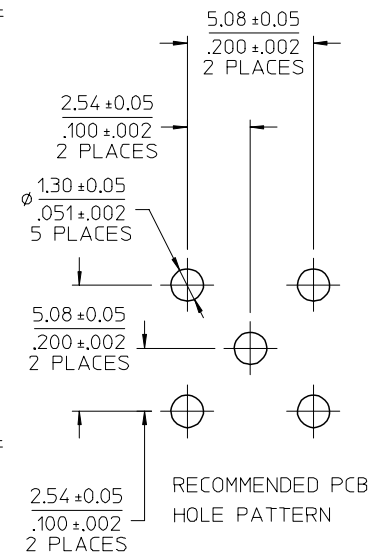
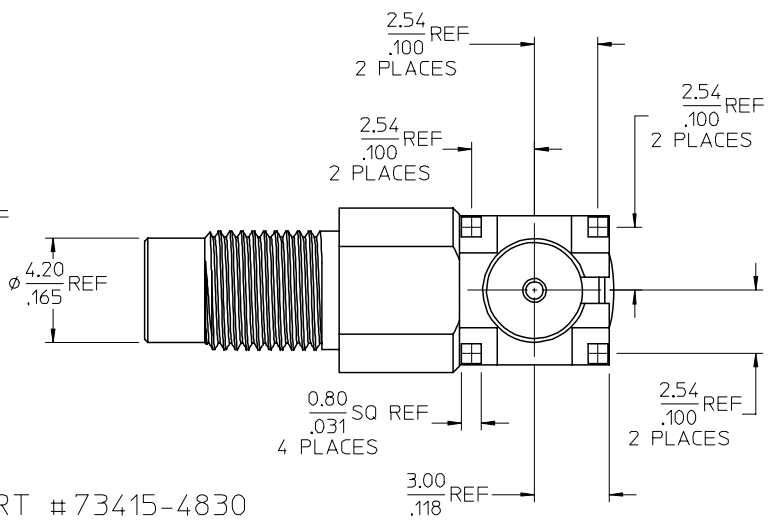
RECOMMENDED MOUNTING HOLE PATTERN
MAXIMUM PANEL THICKNESS 3.18/125



JAM NUT

LOCKWASHER

PART # 73415-4830



RECOMMENDED PCB HOLE PATTERN

UNLESS OTHERWISE SPECIFIED DIMS ARE MILLIMETERS AND ANGLES ARE DEGREES.

- $\frac{1}{4}$ ALL OVER.
- NO CHATTER OR NON-UNIFORM SURFACE FINISH ALLOWED.
- PARTS TO BE FREE OF BURRS & SHARP EDGES 0.13(005) MAX BREAK.
- EXTERNAL THREADS TO BE ROLLED OR SINGLE POINT.
- DIAMETERS TO BE CONCENTRIC WITHIN 0.08(003) TIR.

CHG: UPDATED DEPICTION OF BODY FC NO: URF2005-0488 DRAWN: SHAH 2005/05/13 CHKD: FLAHERTY 2005/05/13 APPR: WILNER 2005/05/13	QUALITY SYMBOLS	GENERAL TOLERANCES (UNLESS SPECIFIED)	DIMENSION STYLE	SCALE	DESIGN UNITS	THIRD ANGLE PROJECTION
	DESCRIPTION	mm INCH	MM/IN	METRIC		

4 PLACES ± --- ± ---	3 PLACES ± --- ± ---	2 PLACES ± --- ± ---	1 PLACE ± --- ± ---	ANGULAR ± 2 °
----------------------	----------------------	----------------------	---------------------	---------------

DRAWN BY	DATE	CHECKED BY	DATE	APPROVED BY	DATE
TEF	2003/12/01	SSS	2003/12/01	GMH	2003/12/01

TITLE	MATERIAL NO.	DOCUMENT NO.	SHEET NO.
MCX JACK, BLKH, R/A, PCB 75 OHMS, EWR2218 MCX-J/RA/PCB	734154830	SD-73415-483	1 OF 1

12 11 10 9 8 7 6 5 4 3 2 1