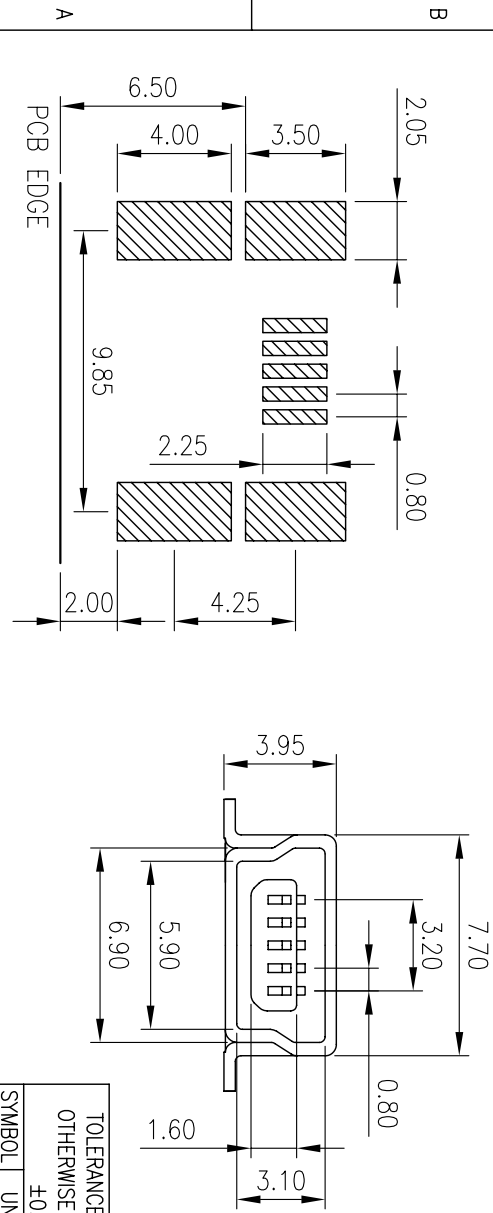
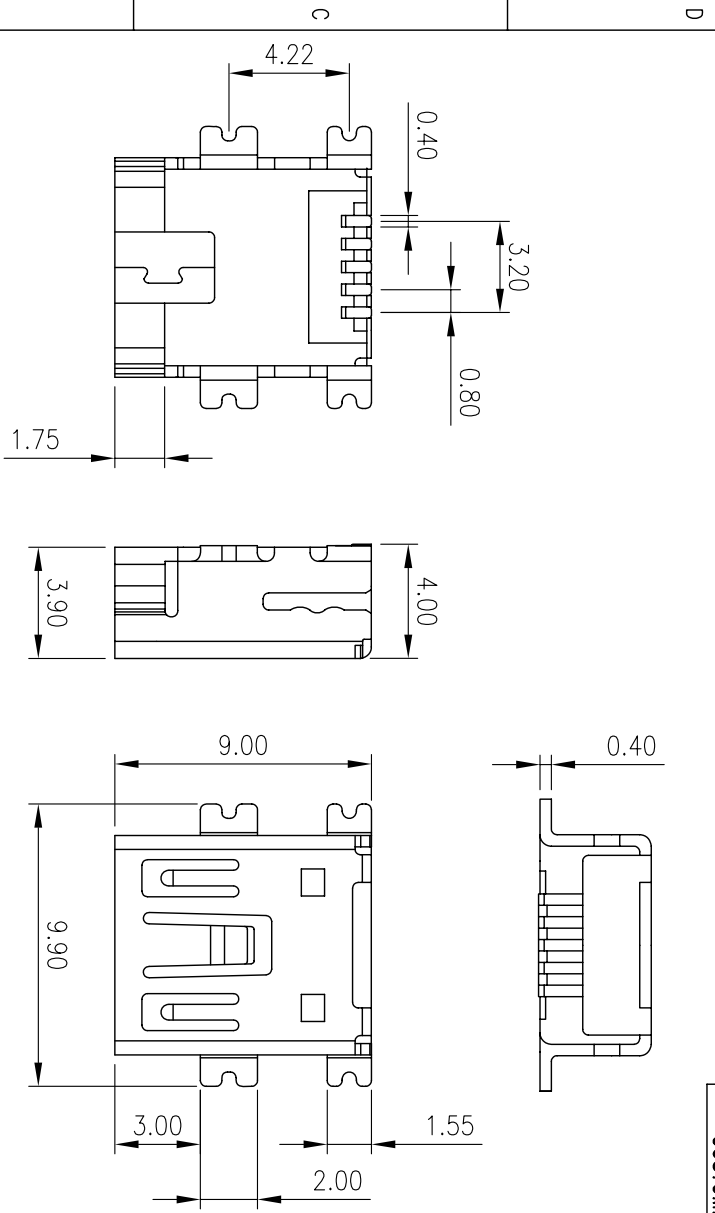


V2.1 NOTE: THIS DEVICE IS ROHS COMPLIANT.

REVISIONS				
SYM	DESCRIPTION	DATE	APPROVED	SYM
Δ				Δ
Δ				Δ
**CUSTOMER DRAWING FOR REFERENCE ONLY, SAMPLES APPROVAL ARE REQUIRED!!				225



RECOMMENDED P.C.B. LAYOUT

**ELECTRICAL CHARACTERISTICS**  
 CONTACT CURRENT RATING: 1.0 AMP.  
 DIELECTRIC WITHSTANDING VOLTAGE: AC 500V 0.5mA/ 60s MIN.  
 INSULATION RESISTANCE: 1000MΩ MIN AT DC 500V MIN.  
 CONTACT RESISTANCE: 30mΩ MAX.  
 OPERATING TEMPERATURE: -55~85°C

**MECHANICAL CHARACTERISTICS**  
 CONTACT INSERTION FORCE: 35N MAXIMUM.  
 CONTACT SEPARATION FORCE: 7N MINIMUM.  
 MATERIAL  
 CONTACT: PHOSPHOR BRONZE.  
 INSULATOR: NYLON 6T+GLASS, UL 94V-0 RATED.  
 SHELL: BRASS

**ORDER INFORMATION:**  
 MUSB-Rt05NGX-01-B  
 MUSB: MINI USB CONNECTOR  
 R: PCB TYPE, RIGHT ANGLE & SURFACE MOUNT  
 05: 5 OF CONTACT  
 N: SHELL PLATING.  
 -N: NICKEL PLATING  
 GX: CONTACT PLATED  
 GT: GOLD FLASH ON CONTACT, TIN PLATING ON SOLDER TAIL  
 G15t: 15u" GOLD ON CONTACT, TIN PLATING ON SOLDER TAIL  
 G30t: 30u" GOLD ON CONTACT, TIN PLATING ON SOLDER TAIL  
 01: PLASTIC COLOR, BLACK  
 B: MINI USB B TYPE

TOLERANCES UNLESS OTHERWISE SPECIFIED			
±0.25	UNIT	SCALE	
Δ	mm	4/1	
SIGNATURES		DATE	MODEL
DRAWN	AARON	18/APR/08	TITLE
CHECKED	WENDY	18/APR/08	MINI USB CONNECTOR
APPROVALS			NO.
			MUSB-Rt05NG_01-B

MMT CORPORATION

TEL: (510) 979-2188 FAX: (510) 979-2189

www.mmtmachine.com