

Philips Components

Data sheet	
status	Product specification
date of issue	July 1990

LTA342

Liquid Crystal Display

T-41-38

DEVICE DESCRIPTION

The LTA342 is a 24-character, 2-line dot matrix display. Typical applications include hand held equipment and industrial applications. The display may be inverted to adapt the optimal viewing direction to the application.

QUICK REFERENCE DATA

Viewing area dimensions	83 x 18.6 mm
Overall glass dimensions	93.6 x 34.6 mm
Character format	5 x 7 dots and cursor
Character size	5.55 x 2.95 mm
Dot size (spacing 0.05 mm)	0.65 x 0.65 mm
Drive method	MUX 1:16
Operating voltage	5 V
Illumination mode	reflective/trans-reflective
Preferred viewing direction	6 o'clock

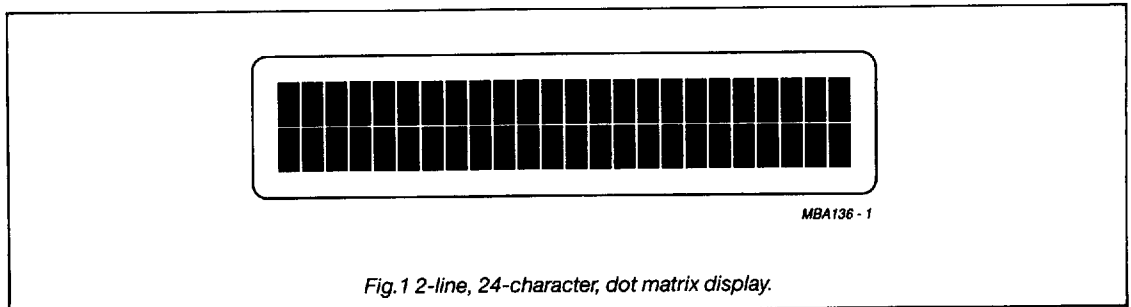
DISPLAY MODE

Fig.1 2-line, 24-character, dot matrix display.

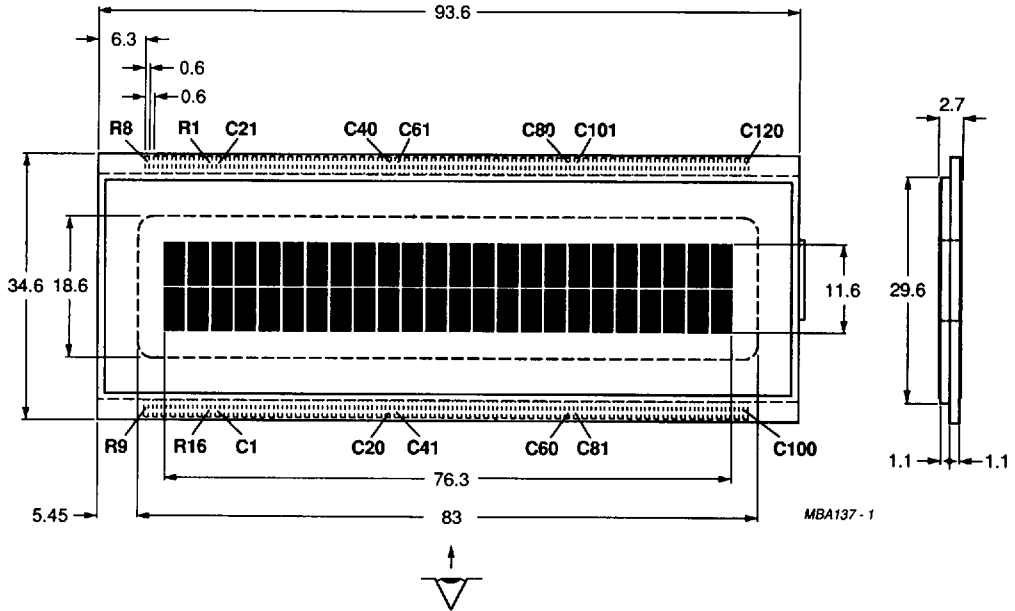
TYPE DEPENDENT DATA

TYPE	ILLUMINATION MODE	CONNECTION METHOD	OPERATING AMBIENT TEMPERATURE RANGE	RELIABILITY GRADE
LTA342R-11	reflective	for conductive rubber	-10 to +60 °C	commercial
LTA342F-11	transflective	for conductive rubber	-10 to +60 °C	commercial

Liquid Crystal Display

LTA342

MECHANICAL DATA



PIN DESCRIPTION

R = row
C = column

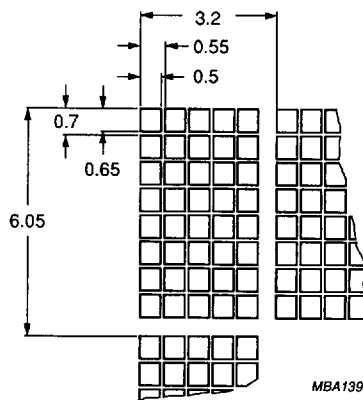


Fig.2 Display area dimensions.

Liquid Crystal Display**LTA342****RATINGS**

Limiting values in accordance with Absolute Maximum System (IEC 134)

Maximum voltage between any two connections (see note)	V_{max}	10 V RMS
Storage temperature range	T_{stg}	-25 to +70 °C

Note: maximum DC component = 0.1 V

OPERATING CONDITIONSAll values at, $T_{amb} = 25\text{ °C}$; $V_{op} = V_{op\ typ}$; $f_{dr} = 100\text{ Hz}$, unless otherwise specified

PARAMETER	SYMBOL	MIN	TYP	MAX	UNIT
operating voltage	V_{op}	-	5	-	V
temperature compensation of V_{op}	TC	-	-13	-	mV/°C
operating ambient temperature	T_{amb}	-10	-	+60	°C
current consumption (see note)	I	-	175	350	µA
frame frequency	f_{dr}	30	-	100	Hz

Note: with all dots "ON".

ELECTRO-OPTICAL CHARACTERISTICS $T_{amb} = 25\text{ °C}$, $V_{op} = V_{op\ typ}$, $\alpha = 10^\circ$, $\phi = \phi_{opt}$, unless otherwise specified

PARAMETER	SYMBOL	CONDITIONS	TYP.	MAX.	UNIT
Response times	t_{on}	$T_{amb} = 0\text{ °C}$	380	760	ms
		$T_{amb} = 25\text{ °C}$	110	220	ms
		$T_{amb} = 50\text{ °C}$	45	90	ms
	t_{off}	$T_{amb} = 0\text{ °C}$	470	940	ms
		$T_{amb} = 25\text{ °C}$	110	220	ms
		$T_{amb} = 50\text{ °C}$	45	90	ms
Viewing Angles (contrast ratio CR > 3)	α_{opt} $\alpha_2 - \alpha_1$	reflective types	30	-	°
			30	-	°
	α_{opt} $\alpha_2 - \alpha_1$	transflective types reflective operation	30	-	°
			25	-	°
	α_{opt} $\alpha_2 - \alpha_1$	transflective types transmissive operation	30	-	°
			20	-	°

For definitions of contrast ratio, viewing angles and response times see notes 1 to 3.

Liquid Crystal Display

LTA342

Note 1 Definition of contrast ratio (C_R).

in positive image mode: $C_R = \frac{B_{off}}{B_{on}}$

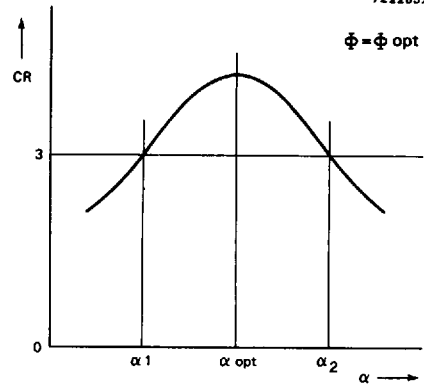
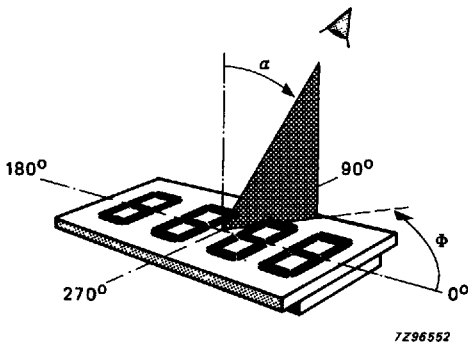
in negative image mode: $C_R = \frac{B_{on}}{B_{off}}$

B_{on} is the brightness of selected segments

B_{off} is the brightness of non-selected segments

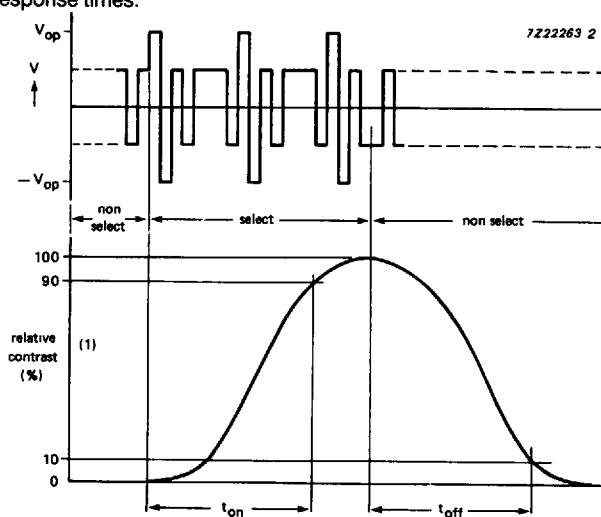
Note 2 Definition of viewing angles α and ϕ .

722857



Note 3 Definition of response times.

722263 2



1) measured at $\alpha = 10^\circ$

Liquid Crystal Display

LTA342

Note 4 Definition of waveforms.

