

3.3Vdc HCMOS SMD Crystal Clock Oscillator



7.0 x 5.08 x 1.6 mm

ASV1 SERIES



RoHS/RoHS II compliant

Moisture Sensitivity Level (MSL) – This product is Hermetically Sealed and not Moisture Sensitive - MSL = N/A: Not Applicable

➤ **FEATURES:**

- Leadless Chip Carrier (LCC)
- HCMOS Compatible, 3.3Vdc, 2.5Vdc, & 1.8Vdc options
- Reflow capable, Seam Sealed Package

➤ **APPLICATIONS:**

- Clock signaling for μ Processors, PC Motherboards and Graphic Cards
- High output drive capability (up to 50pf)

➤ **STANDARD SPECIFICATIONS:**

Parameters	Minimum	Typical	Maximum	Units	Notes
Frequency Range	0.5		200	MHz	
Operating Temperature	-10		+70	°C	See options
Storage Temperature	-55		+125	°C	
Overall Frequency Stability	-100		+100	ppm	See options
Supply Voltage (Vdd)	+2.97	3.3	+3.63	V	See options
Supply Current (Idd) ^(*)			15.0	mA	0.5 ~ 30.0 MHz
			35.0		30.01 ~ 70.0 MHz
			45.0		70.01 ~ 125.0 MHz
			65.0		125.01 ~ 165.0 MHz
Symmetry @ 1/2Vdd	40	50	60	%	See options
Rise and Fall Time (Tr/Tf) ^(*)			10	ns	0.5 ~ 30.0 MHz
			7		30.01 ~ 70.0 MHz
			7		70.01 ~ 125.0 MHz
			5		125.01 ~ 165.0 MHz
Output Load			15	pF	See options
Output Voltage	V _{OH}	0.9 x Vdd		V	
	V _{OL}		0.4	V	
Start-up Time			10	ms	
Tri-state function	"1" (VIH ≥ 0.7*Vdd) or Open: Oscillation "0" (VIL < 0.3*Vdd) : Hi Z				
Aging at 25°C (first year)	-5		+5	ppm	
Disable Current			10	uA	
Enable Time			400	ms	
Disable Time			100	ns	

(*) Contact Abracon for higher frequencies

3.3Vdc HCMOS SMD Crystal Clock Oscillator



ASV1

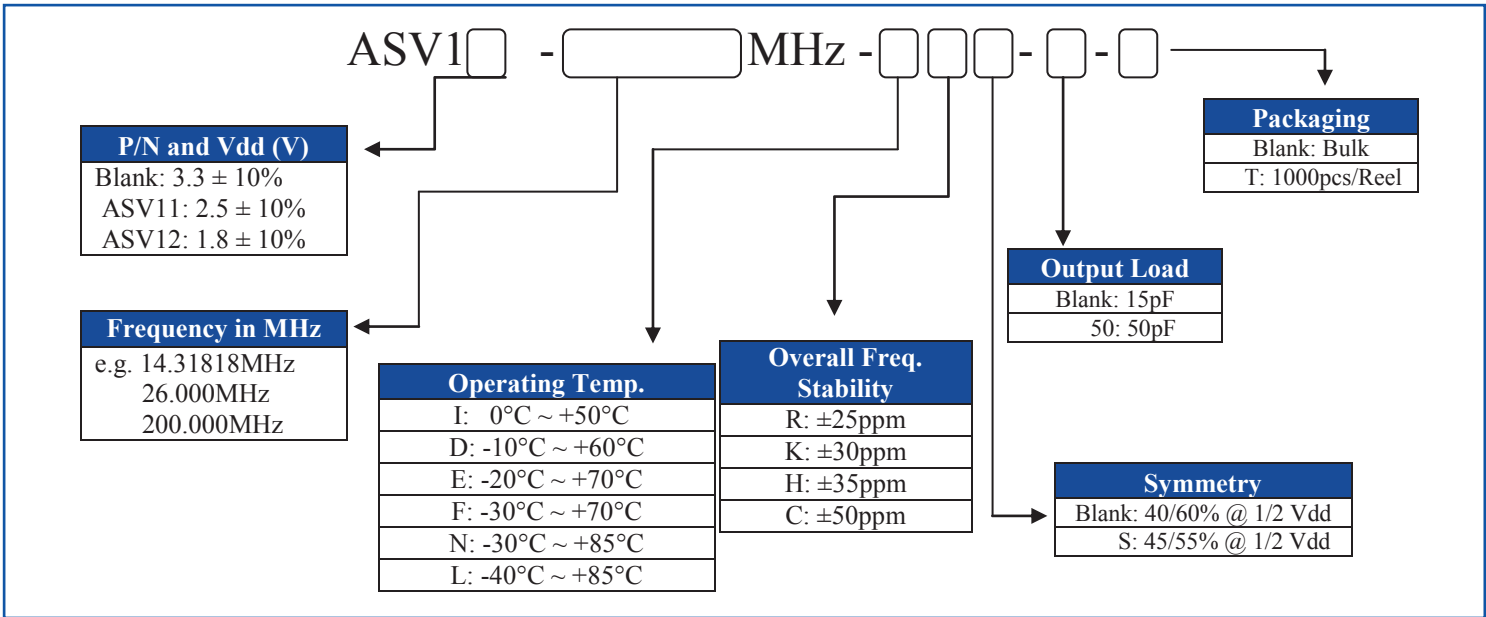
7.0 x 5.08 x 1.6 mm

ASV1 SERIES

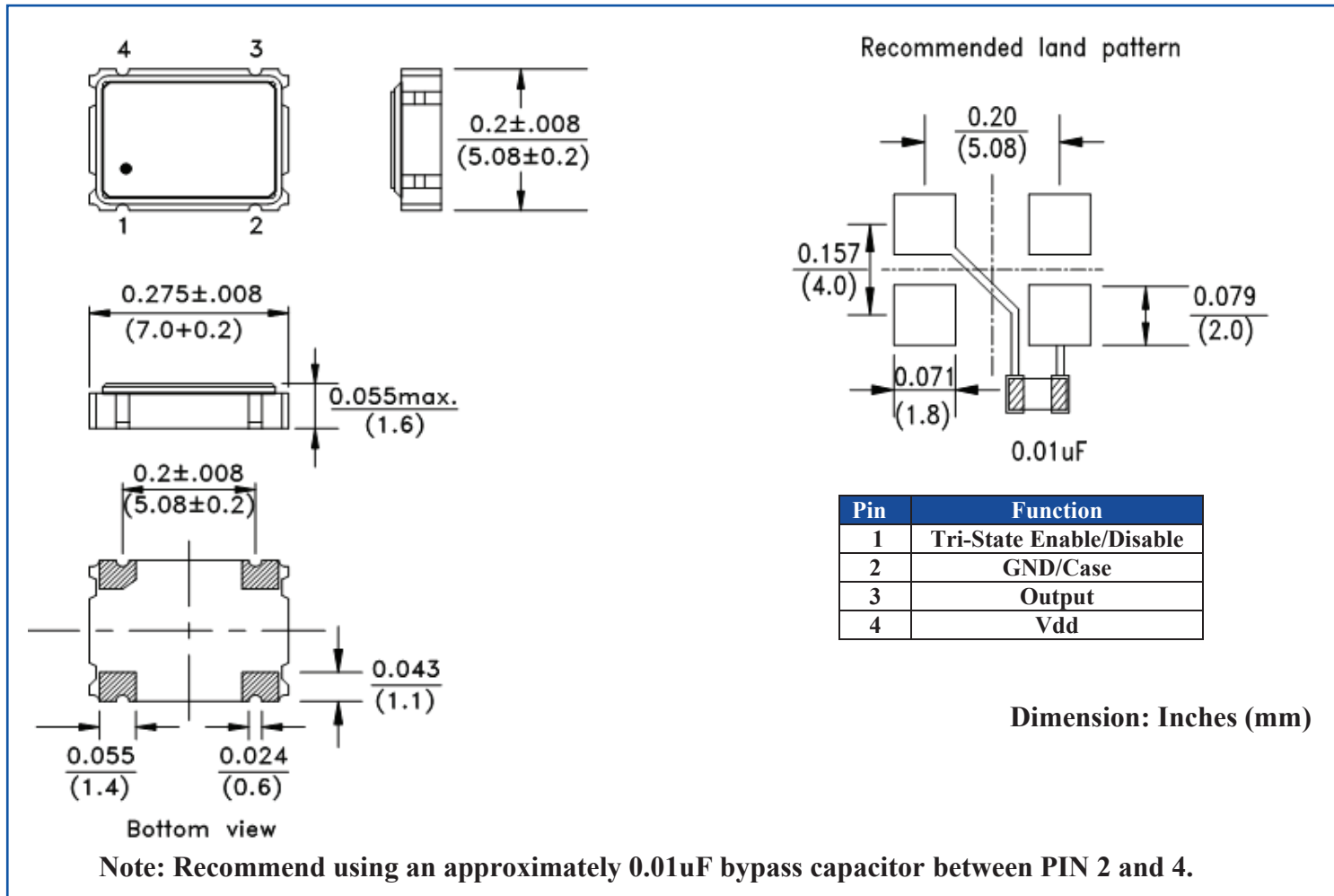


RoHS/RoHS II compliant

PART IDENTIFICATION (LEFT BLANK IF STANDARD)



OUTLINE DRAWING:



3.3Vdc HCMOS SMD Crystal Clock Oscillator



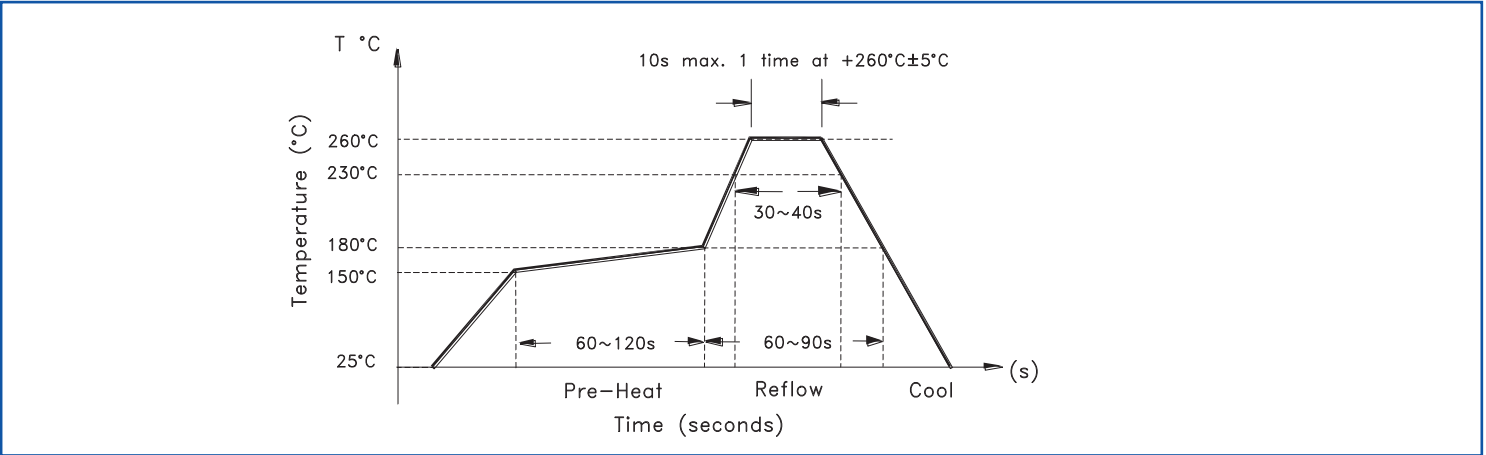
ASV1

7.0 x 5.08 x 1.6 mm

ASV1 SERIES

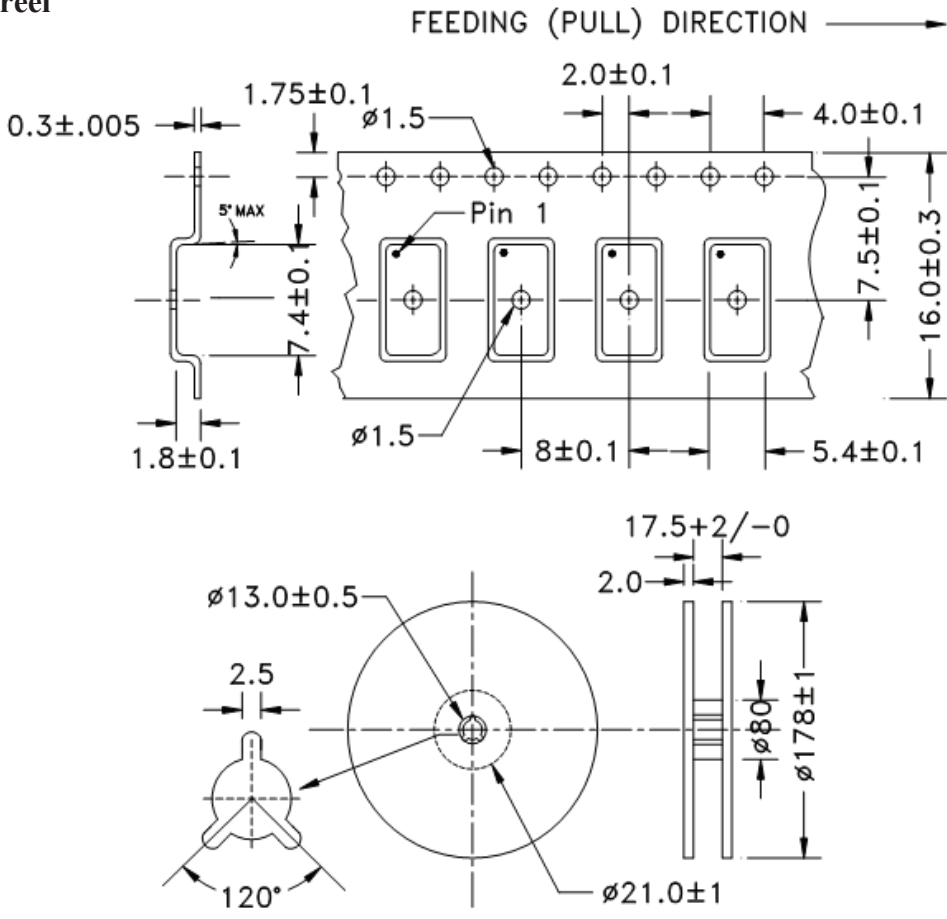
Pb RoHS/RoHS II compliant

REFLOW PROFILE



TAPE & REEL:

T: 1000pcs/reel



Dimension:mm

ATTENTION: Abracon Corporation's products are COTS – Commercial-Off-The-Shelf products; suitable for Commercial, Industrial and, where designated, Automotive Applications. Abracon's products are not specifically designed for Military, Aviation, Aerospace, Life-dependant Medical applications or any application requiring high reliability where component failure could result in loss of life and/or property. For applications requiring high reliability and/or presenting an extreme operating environment, written consent and authorization from Abracon Corporation is required. Please contact Abracon Corporation for more information.



Visit www.abracon.com for Terms & Conditions of Sale
 30332 Esperanza, Rancho Santa Margarita, California 92688
 tel 949-546-8000 | fax 949-546-8001 | www.abracon.com
 Revised: 02.07.14