

A4987SES

Data sheet  [ダウンロード](#) (PDF: 636.52KB)

Application Note  [ダウンロード](#) (PDF: 1866.89KB)

Overview

It is DAC built-in motor driver for driving the stepping motor. A stepping motor driver of parallel input type of bipolar drive system, it can respond to the full step (two-phase excitation method) Half-step (1-2 phase excitation) 4 division micro step (W1-2-phase excitation method). In addition, the output is 35V, has become possible for up to $\pm 2.0A$. A4986S / it is, has the current control function of the fixed OFF time system. The current control function has become a corresponding (decay mode of the high-speed / low-speed mixing) MIXED DECAY, reduce the vibration of the motor, the accuracy of the step angle I was raised, and has realized the improvement of loss. In addition, A4986S / has improved the loss in the PWM operation by the internal synchronous rectification circuit. A4986S / is, as the internal protection circuit, hysteresis with overheat protection circuit, low-voltage protection circuit (UVLO circuit) through current prevention circuit overcurrent protection we have circuit (OCP circuit). There is no special start-up sequence upon power-up.

Application

MFP, ATM, Amuse

Feature

And low on-resistance output (A4986SES: 0.43-0mumax A4987SES:.. 0.9-0mumax)

-MixedDecay current decay mode adopted

, low-loss synchronous rectifier built

-voltage protection function (UVLO), overtemperature protection (TSD), over-current protection (OCP) equipped with

dead time function equipped to prevent a through current in-output driver

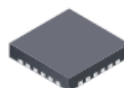
Remarks

Overcurrent protection function with

Representative circuit example

Package

Package name: QFN24



Key Specifications

Excitation method	2W1-2
Power-supply voltage	8-35
Output current	1A
On-resistance	0.7 Ω
Input method	Clocked
OCP	Yes
UVLO	Yes
TSD	Yes
STP (simultaneous ON prevention function)	Yes

Support Menu

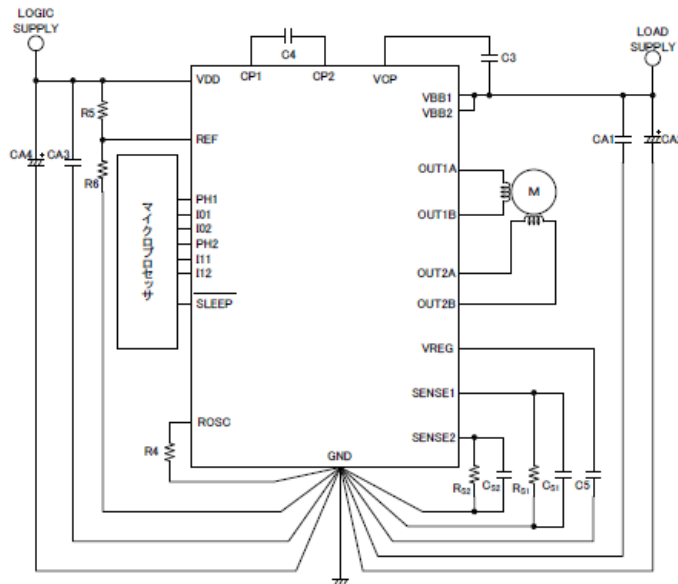
- [▶ Product catalog](#)
- [▶ Quality and reliability information](#)
- [▶ Stop maintenance information](#)
- [▶ RoHS Compliance](#)
- [▶ Frequently Asked Questions](#)



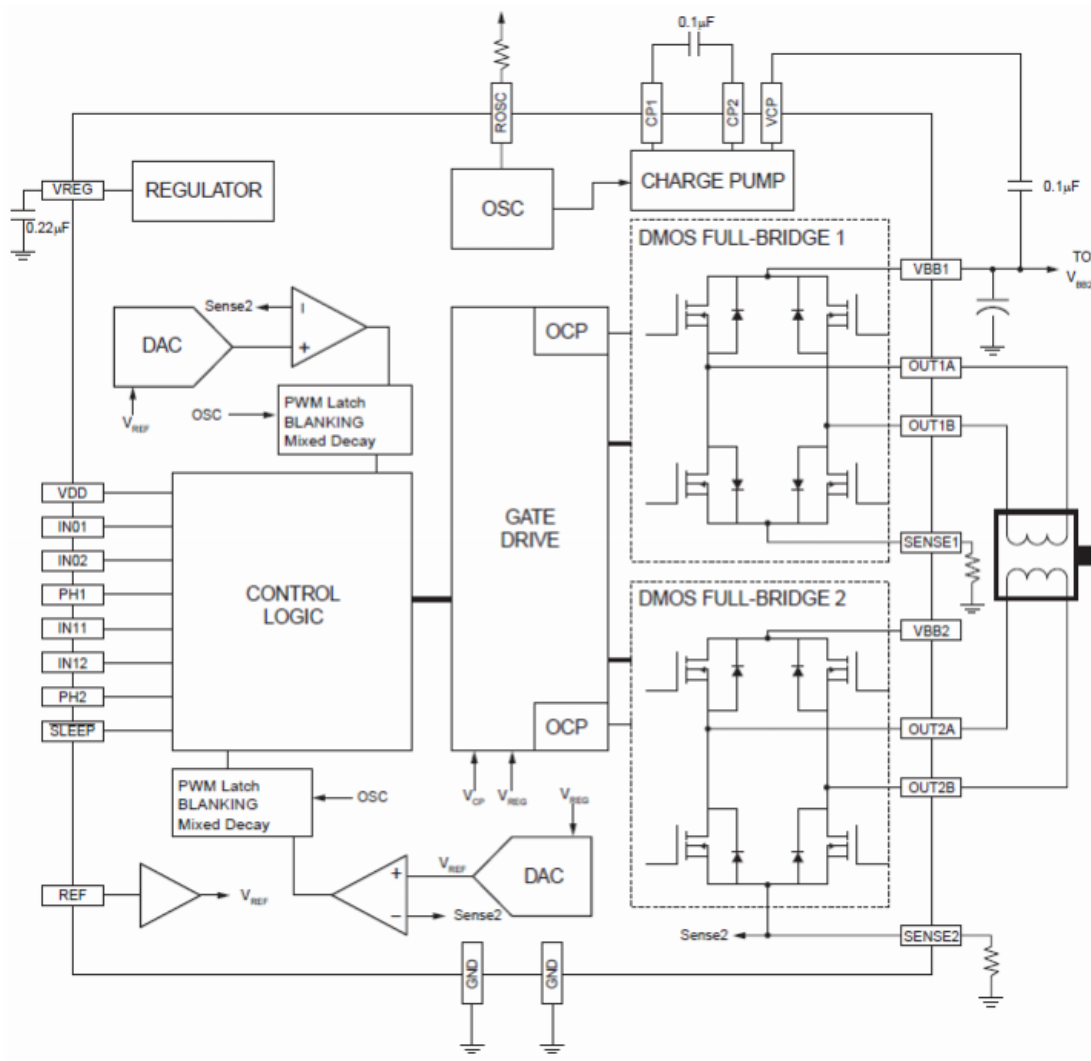
[▶ オンライン販売のご案内](#)



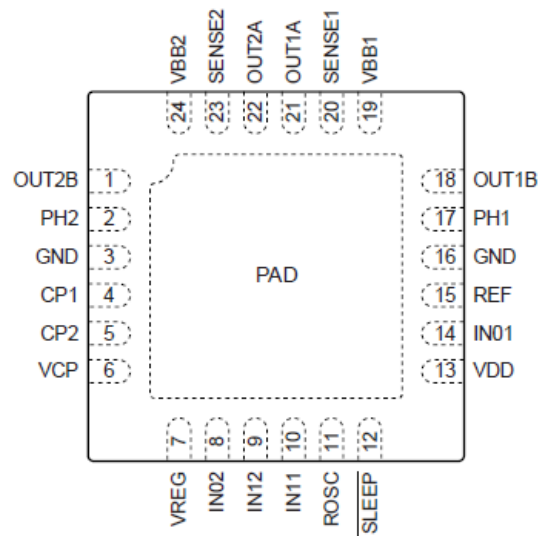
[▶ お問い合わせ](#)



Internal circuit diagrams



Terminal connection diagram



Data sheet	ダウンロード (PDF: 636.52KB)
Application Note	ダウンロード (PDF: 1866.89KB)

▲ to the top of the page

[HOME](#) > [Product List](#) > [IC](#) > [Motor driver IC](#) > [Low pressure](#) > [2-phase stepping motor bipolar driving IC](#) > A4987SES

<p>■ Categorical menu</p> <ul style="list-style-type: none"> • IC • Discreet • Electrical products • Module power • LED 	<p>■ Application-specific menu</p> <ul style="list-style-type: none"> • Automotive • HA (white goods) • OA • Switching supply • LED lighting 	<p>■ Customer Support Menu</p> <ul style="list-style-type: none"> • Please read first • Product catalog • Reliability Information • Stop maintenance information • RoHS Compliance • Frequently Asked Questions 	<p>■ Inquiries menu</p> <ul style="list-style-type: none"> • Purchase sales offices • Contact Us
---	--	--	---

[Sanken Electric Co., Ltd. top](#)

[Semiconductor device HOME](#) | [Privacy policy](#) | [Site Policy](#) | [Site map](#)

Copyright (C) SANKEN ELECTRIC CO., LTD. 2013, All Rights Reserved.