

DESCRIPTION

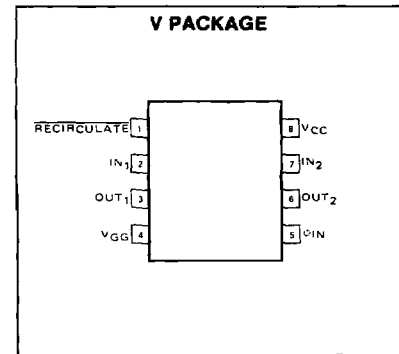
The 2528 250-bit recirculating static shift register consists of enhancement mode P-channel silicon gate MOS devices integrated on a single monolithic chip.

TRUTH TABLE

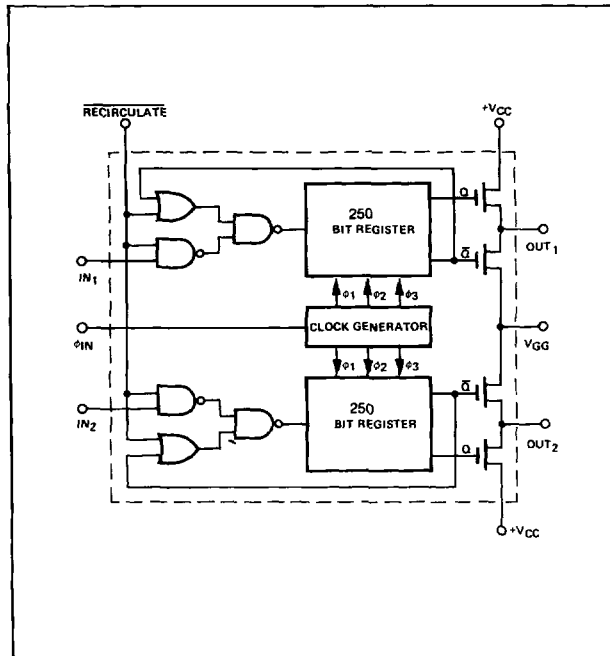
RECIRCULATE	INPUT	FUNCTION
0	0	Recirculate
0	1	Recirculate
1	0	"0" is Written
1	1	"1" is Written

NOTE: "0" = 0V; "1" = +5V

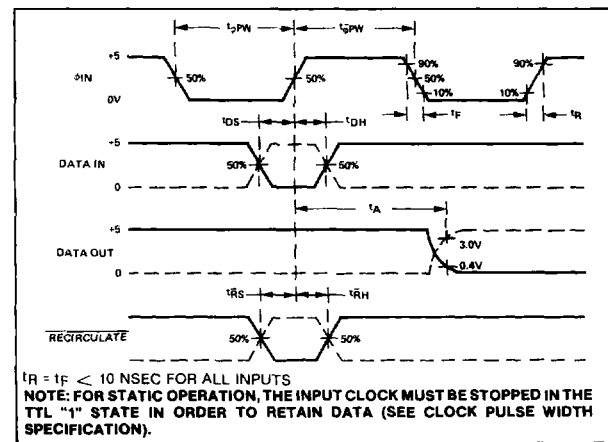
PIN CONFIGURATION



BLOCK DIAGRAM



TIMING DIAGRAM



MEMORIES