

Autotransformer ESP 230/1,5



Picture shows ESP 230/10

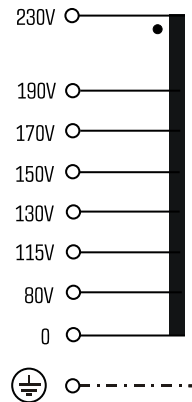
Advantages

- Low weight and small size (compared to isolating transformers)
- High efficiency
- Very good moisture protection and low noise due to BLOCK IMPEX vacuum impregnation
- Contact protected screw connection terminals complying with UVV BGV A3
- Simple mounting due to robust metal footplate with oval slots

Applications

Autotransformer for example for setting the speed of single-phase fan motors.

Sample application



Standards

Autotransformer
to: VDE 0570 Teil 2-13, DIN EN 61558-2-13, EN 61558-2-13,
IEC 61558-2-13

Approvals



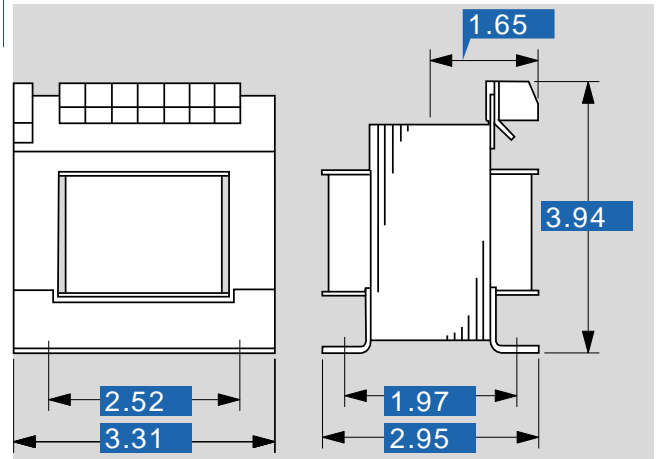


Autotransformer ESP 230/1,5

Type		ESP 230/1,5
Electrical data	Input	
	Rated input voltage	230 Vac
	Rated frequency	50 - 60 Hz
	Output	
	Rated output voltage	80 Vac/ 115 Vac/ 130 Vac/ 150 Vac/ 170 Vac/ 190 Vac
	Rated output current	1.50 A
	Environment	
	Ambient temperature max.	104.0 °F
	Safety and protection	
	Type	Open type
Insulation class	B	
Protection index	IP 00	
Safety class (prepared)	I	
Short circuit strength	non-short-circuit proof	
Order numbers		
Order Number		ESP 230/1,5

Type		ESP 230/1,5
Mechanical data	Terminal and mounting	
	Fixing method	Fixing rail
	Fixing screws	M4
	Terminals	Screw-type terminals, PE 6.3 x 0.8
	Measures and weights	
	Weight	3.31 lbs

Dimensions in inch



Subject to change.