



Mini Din Series Connector

Panel Mount, Female

Materials

Contact:

Phosphor Bronze

Insulator:

Polyester, Glass-filled, Black
UL 94V-0

Shell:

Steel Strip

Finishes

Contact:

Code A - Au Flash over
50 uinches Ni undercoat

Code B - 30 uinches Au over
50 uinches Ni undercoat

Terminal:

Brass, Ni Plated

Tube:

Brass, Ni Plated

Ferrule:

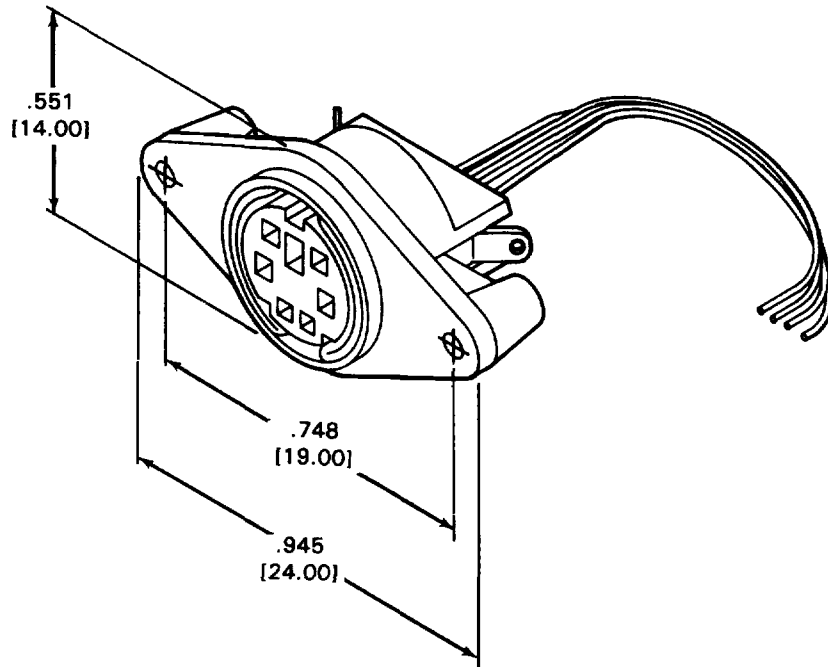
Brass, Ni Plated

Shell:

150 uinches Bright Tin

Notes:

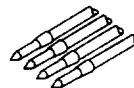
Consult our factory
specialists for your
specific design needs.



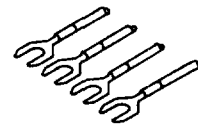
CUT OFF



SOLDER DIP



CRIMPED PIN



SPADE LUG

CONTACT POSITION	PLATING CODE	CONTACT TYPE
		PANEL MOUNT
3	A	311-134-102
	B	311-134-302
4	A	311-144-102
	B	311-144-302
5	A	311-154-102
	B	311-154-302
6	A	311-1641002
	B	311-164-302
7	A	311-174-102
	B	311-174-302
8	A	311-184-102
	B	311-184-302
9	A	311-194-102
	B	311-194-302