

High Frequency Ceramic Solutions

2.45 GHz RF Balun. 1:2 Ratio, 50/100Ω Impedance

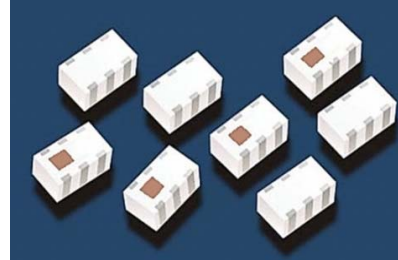
P/N 2450BL15B100

Detail Specification: 3/12/2014

Page 1 of 3

General Specifications

Part Number	2450BL15B100	Operating Temperature	-40 to +85°C
Frequency (MHz)	2400 ~ 2500	Reel Quantity	4,000
Unbalanced Impedance	50Ω		
Balanced Differential Imped.	100Ω		
Insertion Loss	1.0 dB max.		
Return Loss	9.5 dB min.		
Phase Difference	180° ± 10°		
Amplitude Difference	2.0 dB max.		
Input Power	3 Watts max. (CW)		

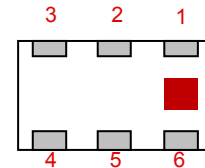


Mechanical Dimensions

	In	mm
L	0.079 ± 0.004	2.00 ± 0.10
W	0.049 ± 0.004	1.25 ± 0.10
T	0.033 ± 0.004	0.85 ± 0.10
a	0.012 ± 0.004	0.30 ± 0.10
b	0.008 ± 0.004	0.20 ± 0.10
c	0.012 +.004/-.008	0.30 +0.1/-0.2
g	0.014 ± 0.004	0.35 ± 0.10
p	0.026 ± 0.002	0.65 ± 0.05

Terminal Configuration

No.	Function	No.	Function
1	Unbalanced Port	4	Balanced Port
2	GND or DC Feed	5	GND
3	Balanced Port	6	NC



P/N Suffix	Packing Style	Bulk	Suffix = S	eg. 2450BL15B100S
		T & R	Suffix = E	eg. 2450BL15B100E
	Evaluation Board	2450BL15B100-EB1SMA (3 Female SMA connector on a 50Ω PCB)		

Mounting Considerations

Mount these devices with brown mark facing up.

* Line width should be designed to match a 50Ω system characteristic impedance, depending on PCB material and thickness.

- Solder Resist
- Land
- Through-hole (φ 0.3)

Want the layout file of the above? Send us a message at: www.johansontechnology.com/component/techquestion

Johanson Technology, Inc. reserves the right to make design changes without notice.
All sales are subject to Johanson Technology, Inc. terms and conditions.



www.johansontechnology.com

4001 Calle Tecate • Camarillo, CA 93012 • TEL 805.389.1166 FAX 805.389.1821

ver 2.1

2014 Johanson Technology, Inc. All Rights Reserved

High Frequency Ceramic Solutions

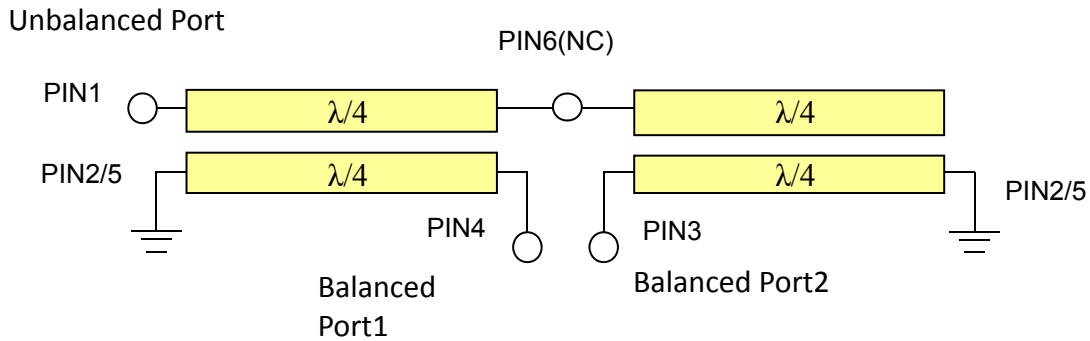
2.45 GHz RF Balun. 1:2 Ratio, 50/100Ω Impedance

P/N 2450BL15B100

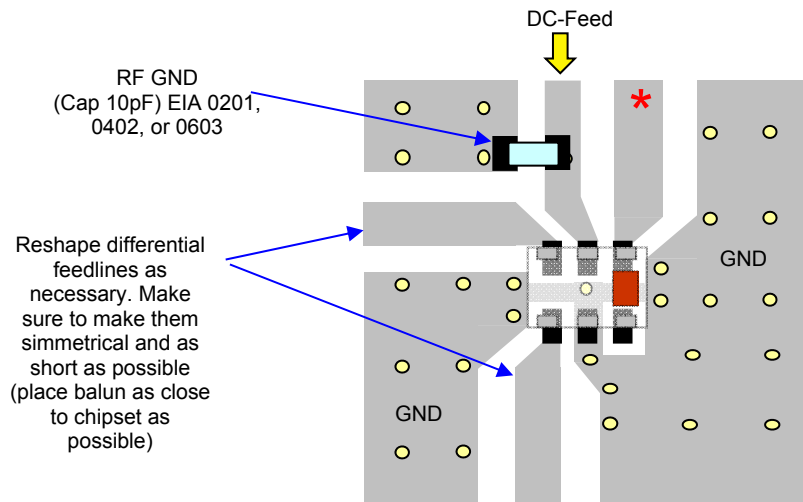
Detail Specification: 3/12/2014

Page 2 of 3

Internal Equivalent Circuit



Internal Equivalent Circuit



Not quite sure how to layout the balun? We'll help! Send us a message at:
www.johansontechnology.com/component/techquestion

* Line width should be designed to match a 50Ω system characteristic impedance, depending on PCB material and thickness.

Johanson Technology, Inc. reserves the right to make design changes without notice.
All sales are subject to Johanson Technology, Inc. terms and conditions.



www.johansontechnology.com
4001 Calle Tecate • Camarillo, CA 93012 • TEL 805.389.1166 FAX 805.389.1821
ver 2.1

2014 Johanson Technology, Inc. All Rights Reserved

High Frequency Ceramic Solutions

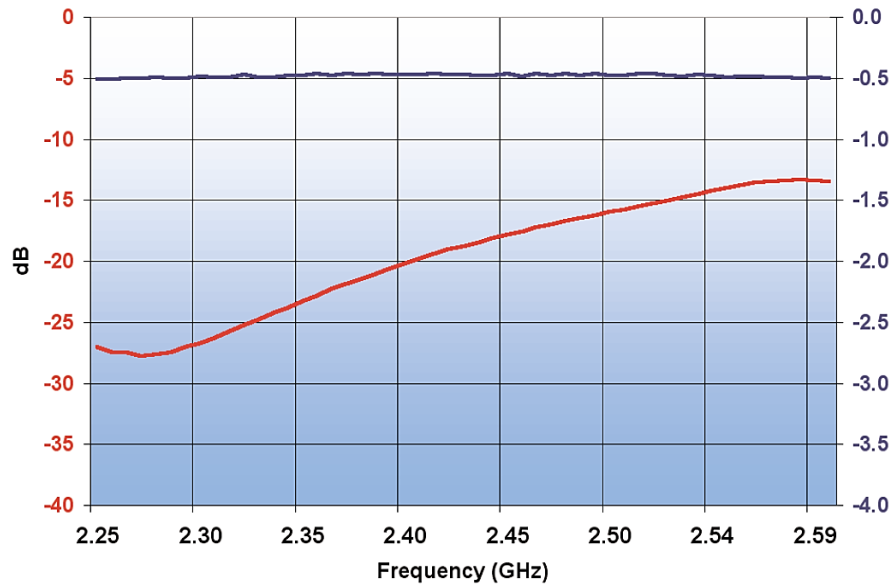
2.45 GHz RF Balun. 1:2 Ratio, 50/100Ω Impedance

P/N 2450BL15B100

Detail Specification: 3/12/2014

Page 3 of 3

Typical Electrical Performance (T=25°C)



More Baluns

www.johansontechnology.com/rfbaluns

RoHS Compliance

www.johansontechnology.com/technical-notes/rohs-compliance.html

Packaging information

www.johansontechnology.com/ipcpackaging.html

Soldering Information (i.e. recommended profile)

www.johansontechnology.com/ipcsoldering-profile

Layout Files, s-parameters and any other technical questions

www.johansontechnology.com/component/techquestion/?Itemid=407

MSL Info

www.johansontechnology.com/technical-notes/msl-rating.html

Recommended Storage Condition and Max Shelf Life

www.johansontechnology.com/ipcstorage-shelflife

Antenna layout and tuning techniques

www.johansontechnology.com/tuning

Antenna layout review, tuning, and characterization services

www.johansontechnology.com/ipcantennaservices

Johanson Technology, Inc. reserves the right to make design changes without notice.

All sales are subject to Johanson Technology, Inc. terms and conditions.



www.johansontechnology.com
4001 Calle Tecate • Camarillo, CA 93012 • TEL 805.389.1166 FAX 805.389.1821
ver 2.1

2014 Johanson Technology, Inc. All Rights Reserved