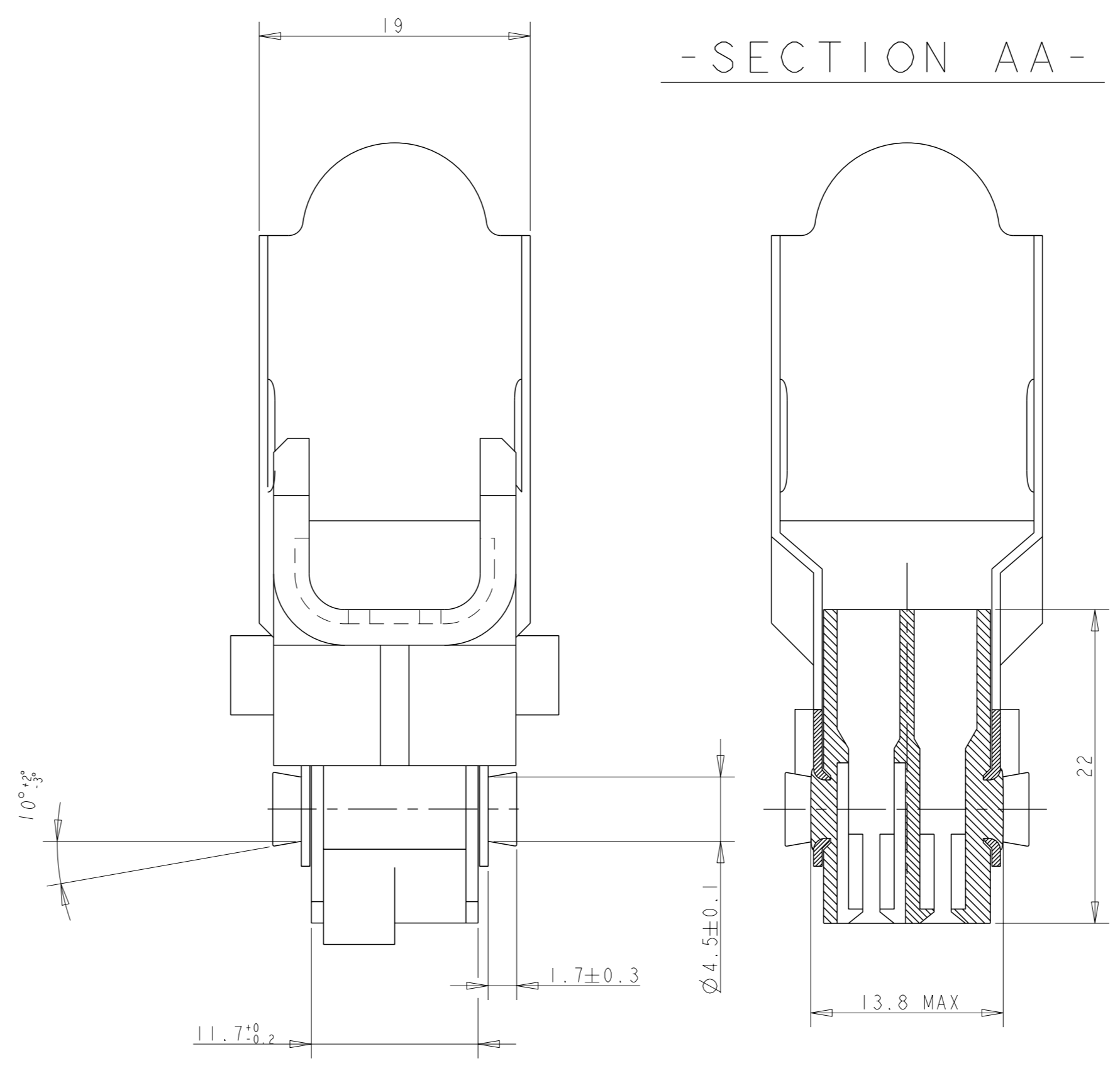
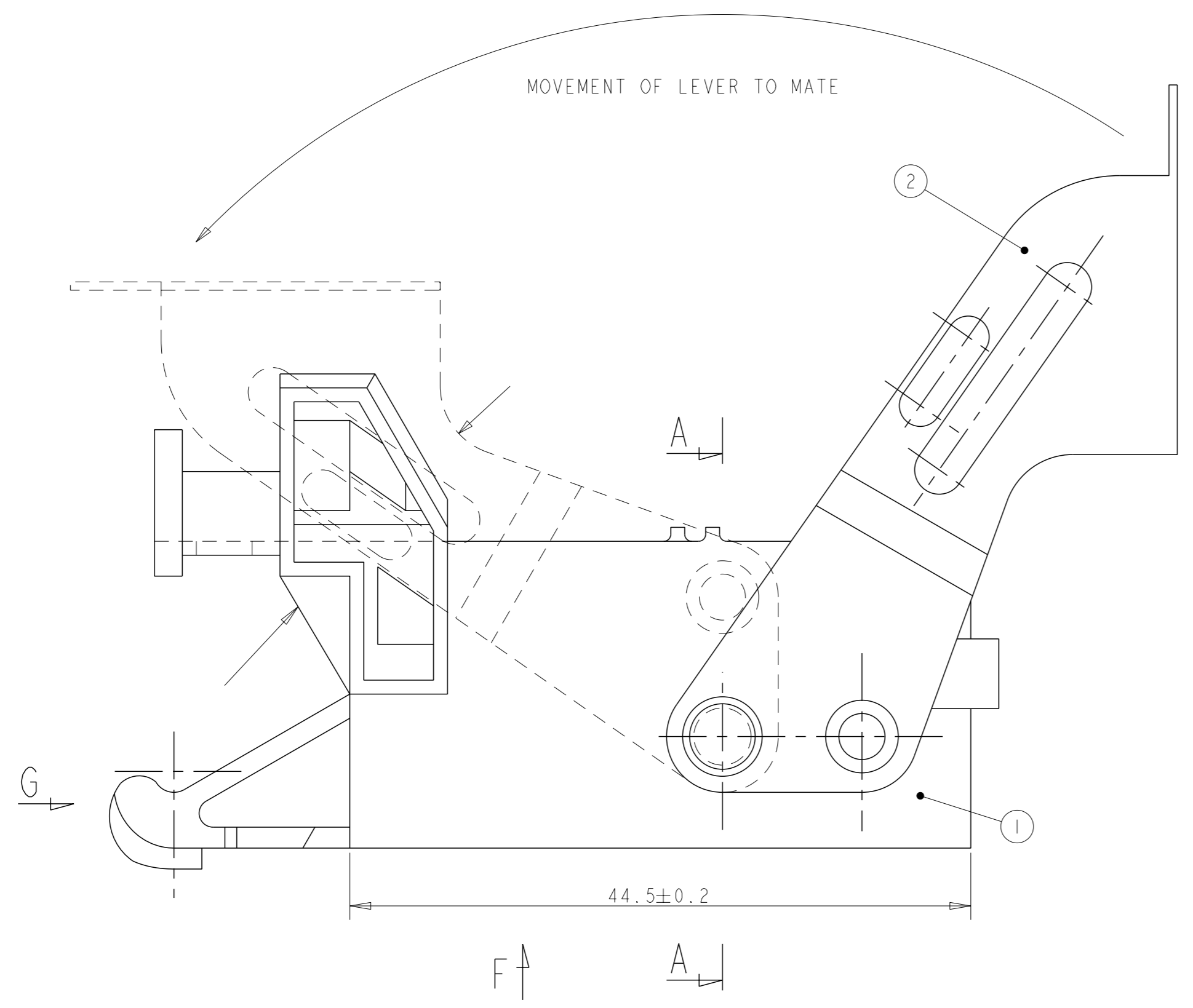
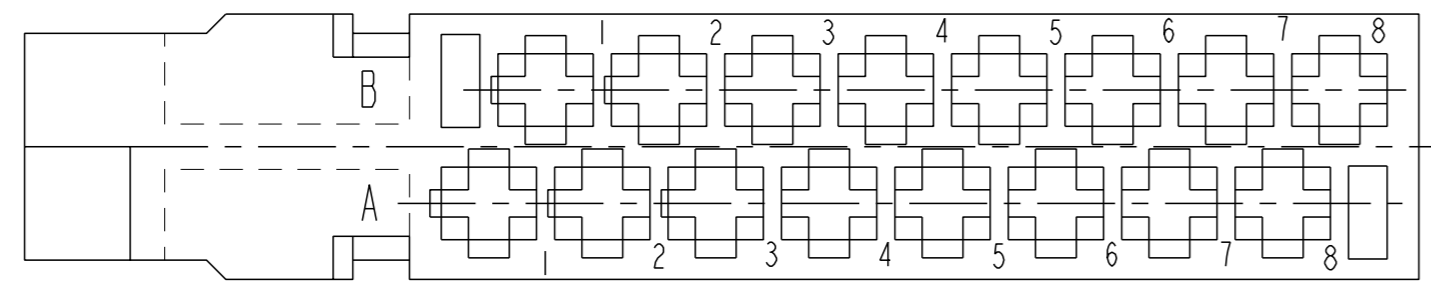


REVISIONS					
N°	LYN	REV	DESCRIPTION	DATE	APPV
	A		NEW DRAWING	09AUG2017	KCD DB

-VIEW F- CONTACT CAVITY NUMBERING

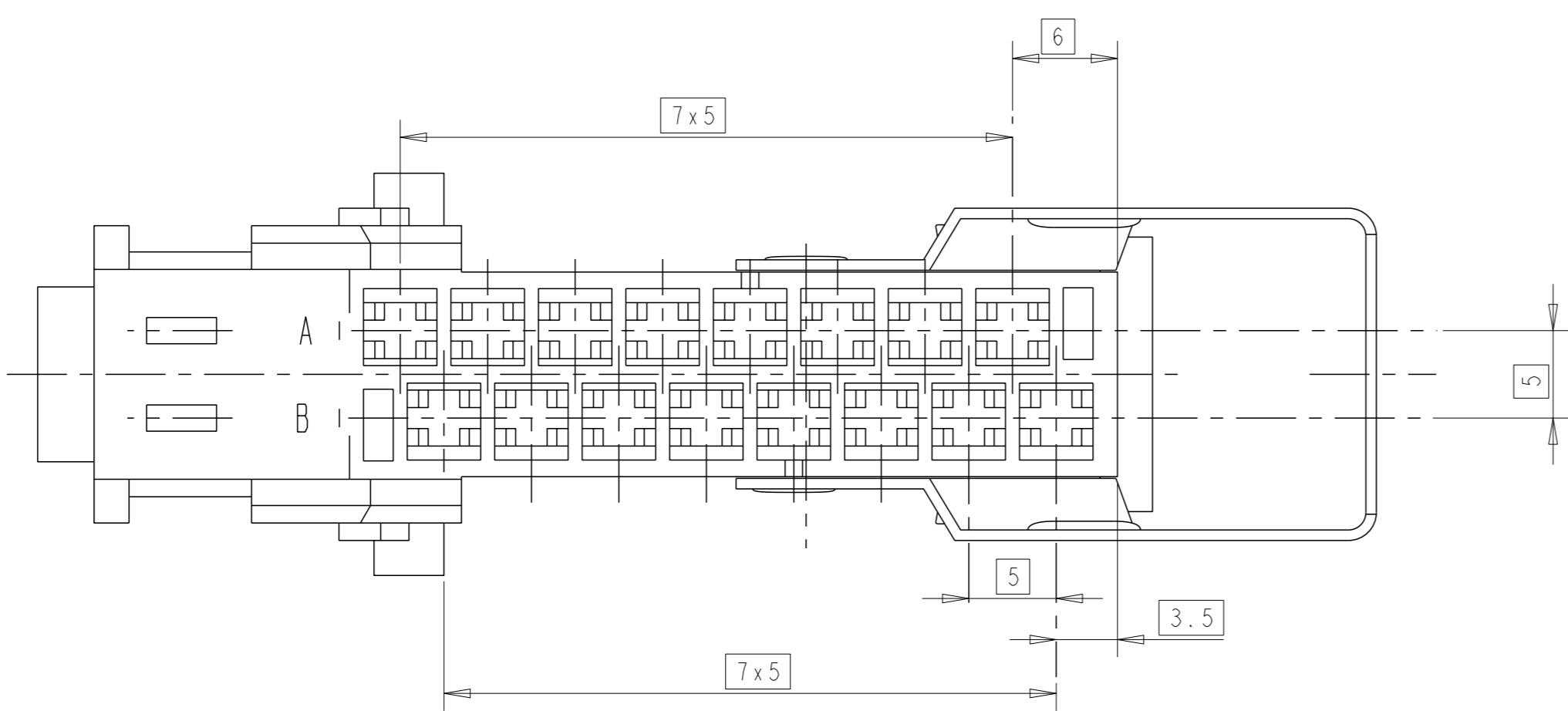
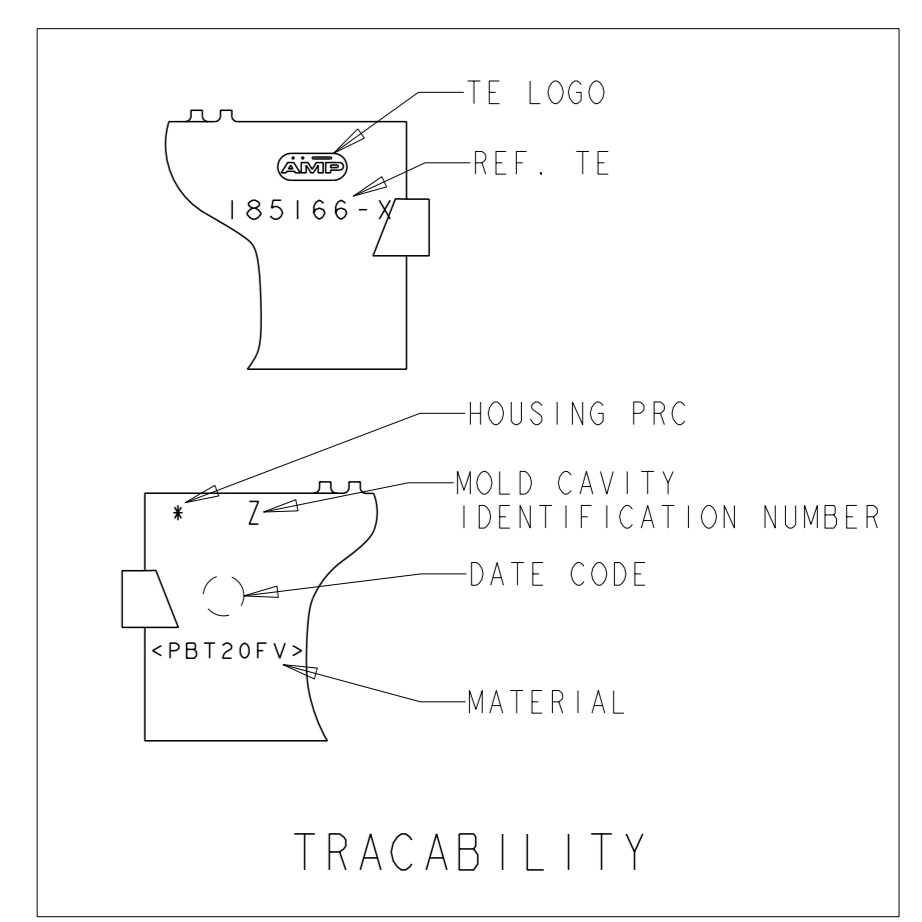


PRODUCT SPEC.	APPLICATION SPEC.	PACKAGING SPEC.
108-15107	114-15050/15051	107-15201

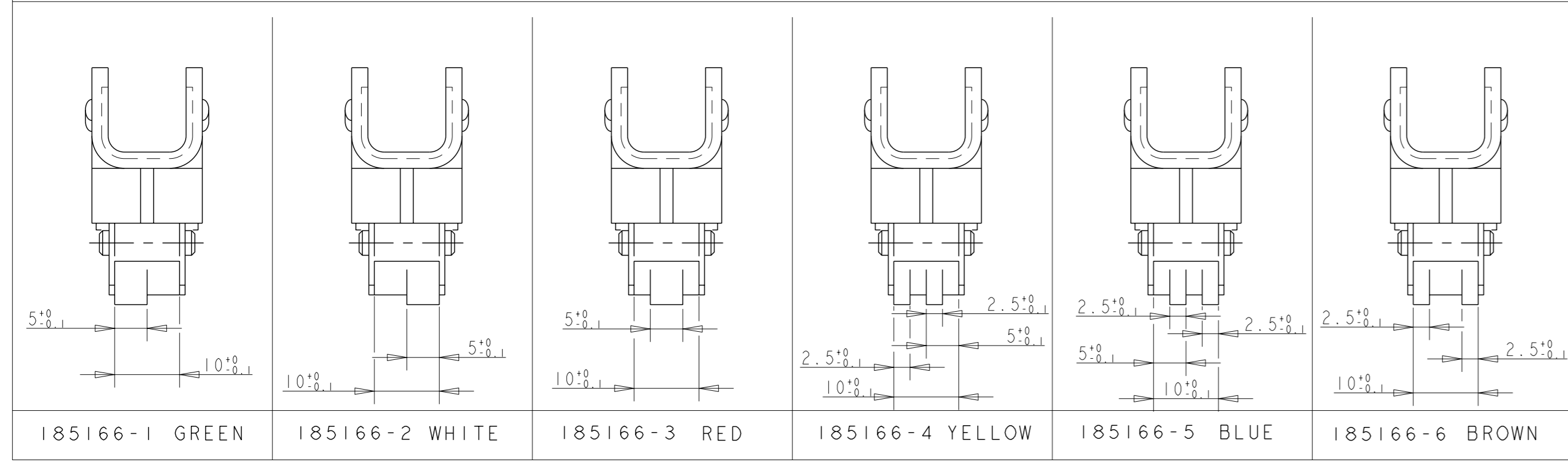
INSTRUCTION SHEET FOR CONTACT	RECOMMENDATIONS OF CONNECTORS	USER MANUAL OF PUSH TEST
411-15895	411-15515/15546	411-15517

APPLIED CONTACTS

144431-1
144432-1
REF TE



-VIEW G- DIFFERENT CODINGS



	-6	-5	-4	-3	-2	-1					
I	I	I	I	I	I	I	185169-1	0	LEVER	STAINLESS STEEL	②
I							185171-6	B	JPT HOUSING 16 WAY	PBT 20% GF	①
	I						185171-5	B			
		I					185171-4	B			
			I				185171-3	B			
				I			185171-2	B			
					I		185171-1	B			
185166							PN	PRC	DESCRIPTION	MATERIAL	ITEM
BROWN	BLUE	YELLOW	RED	WHITE	GREEN						

THIS DRAWING IS A CONTROLLED DOCUMENT. CE PLAN EST UN DOCUMENT CONTRÔLÉ PAR AMP INCORPORATED. IL EST IDENTIFIABLE ET TRACABLE. CONSTATER LE SERVICE. TECHNIQUE D'AMP DE FRANCE POUR CONTRÔLE LA REVOLUTION.

DMN/DSSINE: 09AUG2017
K.C. DEEPA
CHK/VÉRIFIE: 09AUG2017
D. BANCE
APPV/ APPROUVE: 09AUG2017
Y. BOUILLARD

TE Connectivity
16 WAY CONNECTOR WITH COUPLING AID

SIZE: A1
CAGE CODE: 100779
DRAWING NO: 185166

RESTRICTED TO RESERVE A

Mouser Electronics

Authorized Distributor

Click to View Pricing, Inventory, Delivery & Lifecycle Information:

[TE Connectivity:](#)

[185166-2](#)