



HYBRID MOCVD LASER/DRIVER FOR PULSED APPLICATIONS

FEATURES

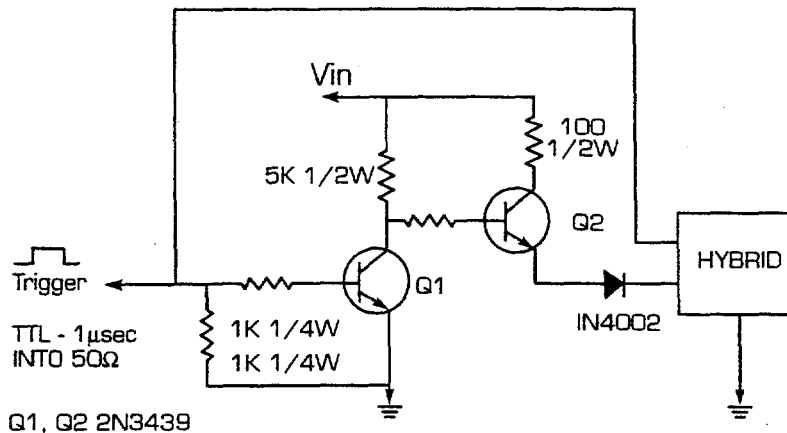
- Laser Chip and Driver Electronics in one Hermetic TO-5 Type Package
- High Efficiency Operation
- Pulse Widths from 10ns to 50ns
- High Peak Power Emission
- TTL Compatible
- Low Voltage Operation
- Fiber Pigtailed Versions Available

DESCRIPTION

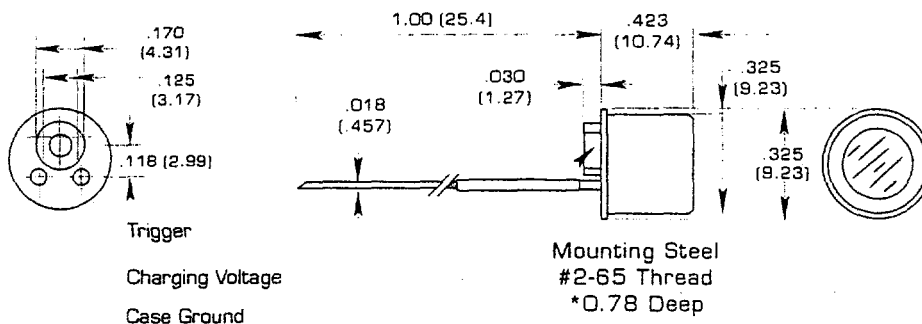
The LHCVD Series incorporates a pulsed laser driver into the same packages as the laser diode. The hybridization of the driver permits much narrower pulse widths and faster rise times at lower voltages than the discrete laser drivers.

TTL compatibility permits triggering from most digital circuitry. The LHCVD Series is compatible with all LDI standard MOCVD laser diodes. The hermetic package and increased efficiency is ideal when space and weight are a primary concern.

CHARGING CIRCUIT



PACKAGE SPECIFICATIONS





SPECIFICATIONS

HYBRID LASER DRIVER MODULES (Data @ 25°C) LHCVD-60 Series

Parameters	Pulse Width	LHCVD-60	LHCVD-62	LHCVD-65	LHCVD-67	LHCVD-68	Units
Total Peak Radiant Flux Minimum		4	8	13	16	20	Watts
Emitting Area (Typ)		3 x .08	6 x .08	10 x .08	12 x .08	15 x .08	Mils
Number of Diodes		1	1	1	1	1	
Maximum Duty Factor		0.1	0.1	0.1	0.1	0.1	%
Typical Voltage Ratings @ Selected Pulse Widths	10ns 20ns 30ns 40ns 50ns	25 20 16 10 8	50 30 20 15 10	55 35 23 18 14	75 48 26 22 16	100 60 30 25 22	Volts Volts Volts Volts Volts

HYBRID LASER DRIVER MODULES (Data @ 25°C) LHCVD-160 Series

Parameters	Pulse Width	LHCVD-160	LHCVD-162	LHCVD-163	LHCVD-165	LHCVD-166	LHCVD-167	Units
Total Peak Radiant Flux Minimum		8	24	35	55	70	95	Watts
Emitting Area (Typ)		3 x 4	6 x 8	10 x 8	15 x 8	12 x 12	15 x 16	Mils
Number of Diodes		2	3	3	3	4	5	
Maximum Duty Factor		.08	.08	.06	.04	.04	.04	%
Typical Voltage Ratings @ Selected Pulse Widths	10ns 20ns 30ns 40ns 50ns	25 20 16 10 8	50 30 20 15 10	55 35 23 18 14	100 60 35 28 22	90 50 25 20 18	100 60 30 25 22	Volts Volts Volts Volts Volts

HYBRID LASER DRIVER MODULES (Data @ 25°C) LHCVD-90 Series

Parameters	Pulse Width	LHCVD-90	LHCVD-93	LHCVD-95	LHCVD-97	Units
Total Peak Radiant Flux Minimum		5	10	15	25	Watts
Emitting Area (Typ)		3 x .08	6 x .08	10 x .08	15 x .08	Mils
Number of Diodes		1	1	1	1	
Maximum Duty Factor		0.1	0.1	0.1	0.1	%
Typical Voltage Ratings @ Selected Pulse Widths	10ns 20ns 30ns 40ns 50ns	25 20 16 10 8	70 40 23 18 14	90 50 25 25 18	100 70 35 30 26	Volts Volts Volts Volts Volts

HYBRID LASER DRIVER MODULES (Data @ 25°C) LHCVD-190 Series

Parameters	Pulse Width	LHCVD-190	LHCVD-192	LHCVD-193	LHCVD-195	LHCVD-197	Units
Total Peak Radiant Flux Minimum		8	25	35	55	100	Watts
Emitting Area (Typ)		3 x 4	6 x 8	10 x 8	15 x 8	15 x 16	Mils
Number of Diodes		2	3	3	3	5	%
Maximum Duty Factor		.08	.08	.06	.04	.04	
Typical Voltage Ratings @ Selected Pulse Widths	10ns 20ns 30ns 40ns 50ns	25 20 16 10 8	70 40 23 18 14	90 50 25 25 18	100 70 35 30 26	100 70 35 30 26	Volts Volts Volts Volts Volts