

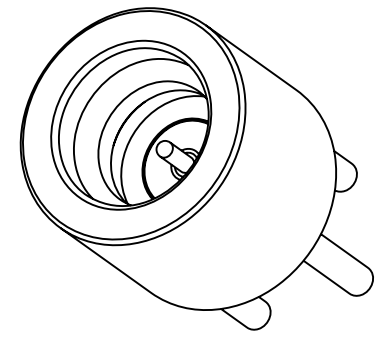
NOTES:

1. MATERIALS AND FINISHES:
  - BODY - BRASS, GOLD PLATING, OVER HIGH PHOSPHOROUS NICKEL
  - CONTACT - BRASS, GOLD PLATING, OVER HIGH PHOSPHOROUS NICKEL
  - INSULATOR - PTFE
2. ELECTRICAL:
  - A. IMPEDANCE: 50 OHM
  - B. FREQUENCY RANGE: DC - 12 GHz
  - C. VSWR: 1.15 MAX
  - D. DIELECTRIC WITHSTANDING VOLTAGE: 500 VRMS MIN
3. MECHANICAL:
  - A. TEMPERATURE RANGE: -65°C TO +165°C
  - B. DURABILITY: 500 CYCLES MIN.
4. PACKAGING:
  - A. QUANTITY: SINGLE PACK
  - B. MARKING: BAG TO BE MARKED  
"AMPHENOLRF, SMP-FS-FDPCT , AND DATE CODE"

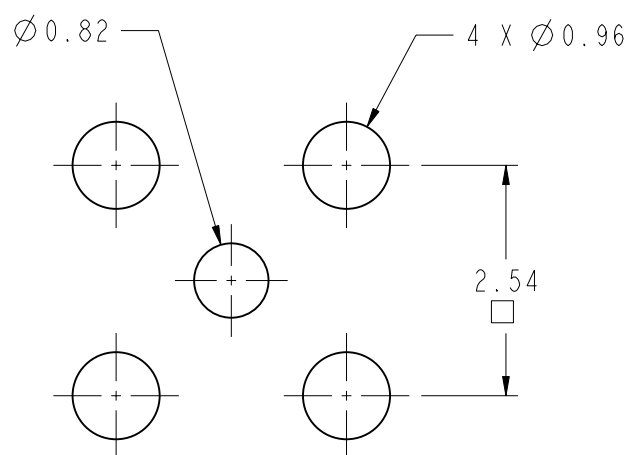
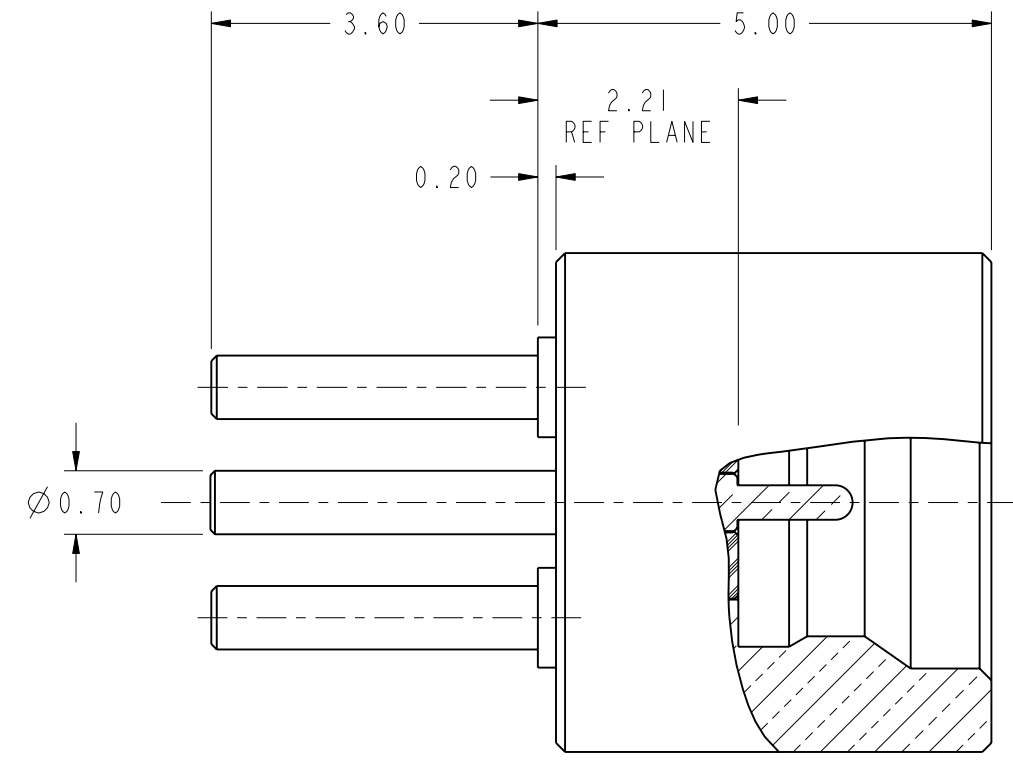
THIRD ANGLE PROJ.

REVISIONS

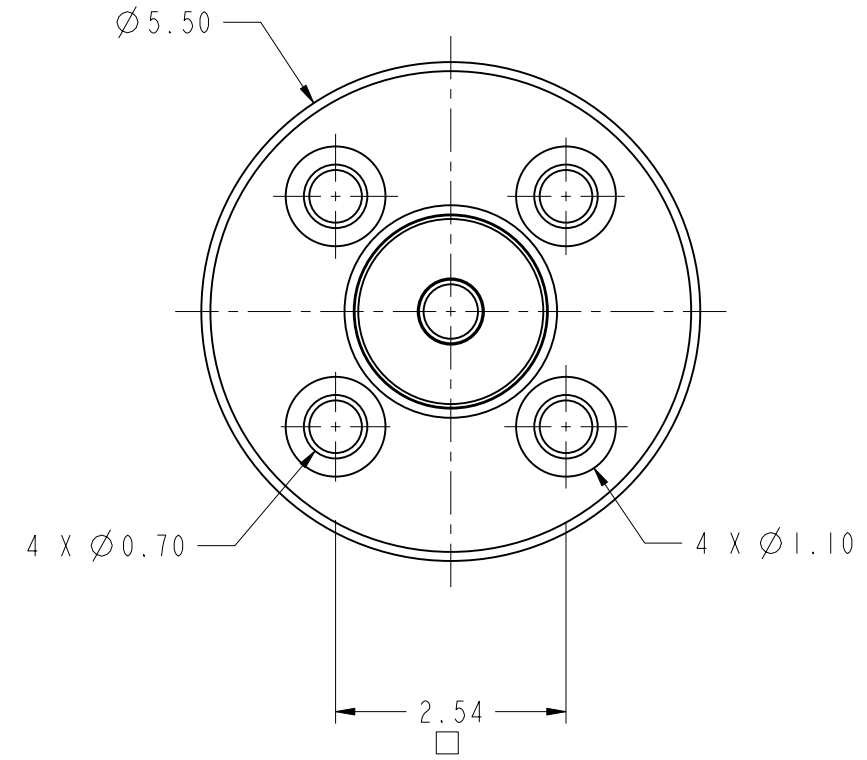
REV	DESCRIPTION	DATE	ECO	APPR
A	RELEASED TO MFG	26-Feb-14	47842	NMV



SCALE 6.000



**SCALE 12.000**  
**RECOMMENDED MOUNTING HOLE DIMENSION**



**CUSTOMER OUTLINE DRAWING**  
ALL OTHER SHEETS ARE FOR INTERNAL USE ONLY

UNLESS OTHERWISE SPECIFIED, DIMENSIONS ARE IN METRIC AND TOLERANCES ARE: <0.5mm ±0.05mm    0.5 - 6mm ±0.1mm    6 - 30mm ±0.2mm    30 - 120mm ±0.3mm    ANGLES ±1°	MATERIAL SEE TABLE	DRAWN M. ZHANG	DATE 26-Feb-14	TITLE ASSEMBLY SMP, JACK FULL DETENT	Amphenol RF Danbury CT USA, Tainan, Taiwan, Shenzhen, China www.amphenolrf.com
		ENGINEER NISCHIT MV	DATE 03-Nov-09		
NOTICE - These drawings, specifications, or other data (1) are, and remain the property of Amphenol corp. (2) must be returned upon request; and (3) are confidential and not to be disclosed to any person other than those to whom they are given by Amphenol Corp. the furnishing of these drawings, specifications, or other data by Amphenol Corp., or to any other person to anyone for any purpose is not to be regarded by implication or otherwise in any manner licensing, granting rights to permitting such holder or any other sperson to manufacture, use or sell any product, process or design, patented or otherwise, that may in any way be related to or disclosed by said drawings, specifications, or other data.	REFERENCE EAR # 2983 AND 615X-2333-200	APPROVED S. HSIEH	DATE 27-Feb-14	SCALE: 12.0:1.0 SHEET 2 OF 2	DRAWING NO. SMP-FS-FDPCT
	CONFIGURATION LEVEL: <input type="checkbox"/> <input type="checkbox"/> <input type="checkbox"/>	CAD FILE Root Folder/SMP/SMP-FS-FDPCT	DWG SIZE B	REV A	ITEM NO. SMP-FS-FDPCT
	FINISH	Root Folder/SMP/SMP-FS-FDPCT	PART NO. SMP-FS-FDPCT		