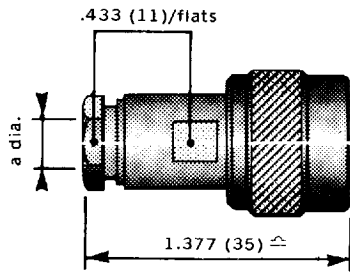


C

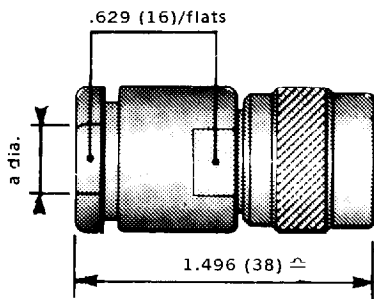
CABLE CLAMP TYPE FOR FLEXIBLE CABLE

Straight plugs



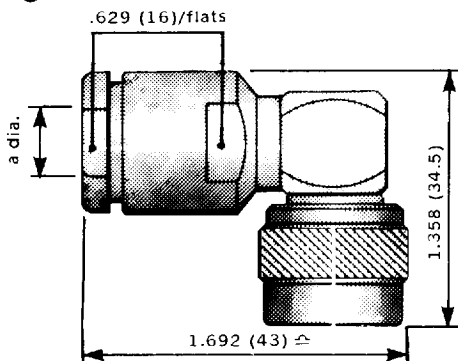
CABLE GROUP	5/50	6/75 + 93
PART NUMBER	R 166 005	R 166 012 •
MIL (UG)	UG 709 B/U	UG 627 B/U
a Dia.	.220 (5.6)	.255 (6.5)
Assembly code	M01 page 16	M02 page 16

Straight plug



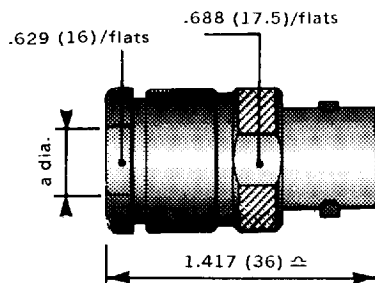
CABLE GROUP	10 + 11/50
PART NUMBER	R 166 018
MIL (UG)	UG 573 B/U
a Dia.	.440 (11.2)
Assembly code	M03 page 16

Right angle plug



CABLE GROUP	10 + 11/50
PART NUMBER	R 166 168
MIL (UG)	UG 710 B/U
a Dia.	.440 (11.2)
Assembly code	M04 page 16

Straight jack



CABLE GROUP	10 + 11/50
PART NUMBER	R 166 218
MIL (UG)	UG 572 A/U
a Dia.	.440 (11.2)
Assembly code	M03 page 16

• Manufactured upon request. Please consult us.