

MATERIALS AND FINISHES

BODY, HOUSING, NUT  
RETAINING RING, COVER  
BRASS  
PLATED NICKEL

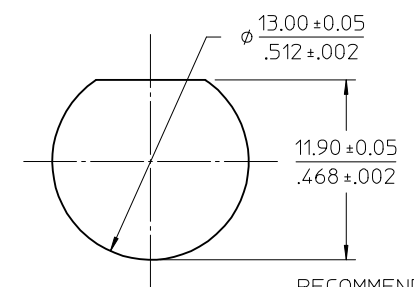
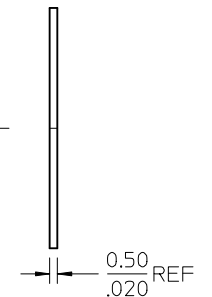
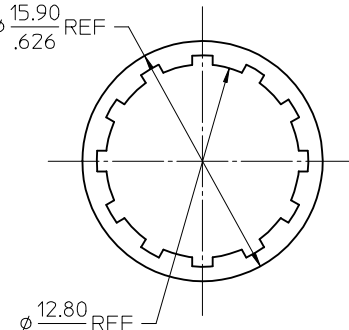
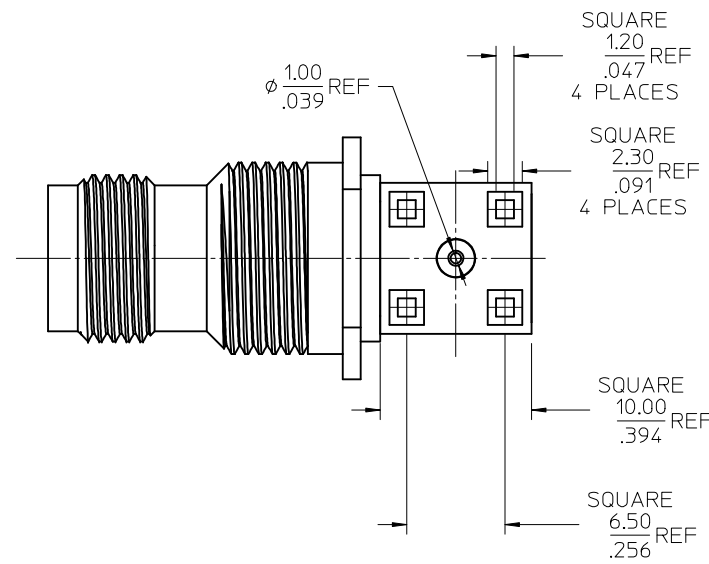
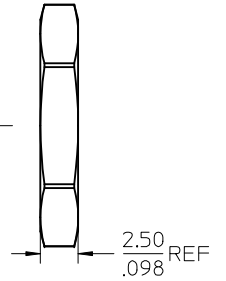
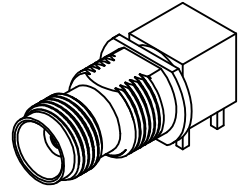
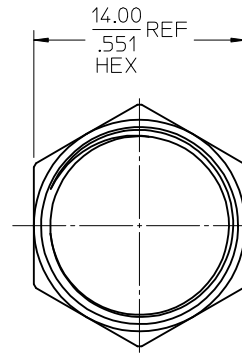
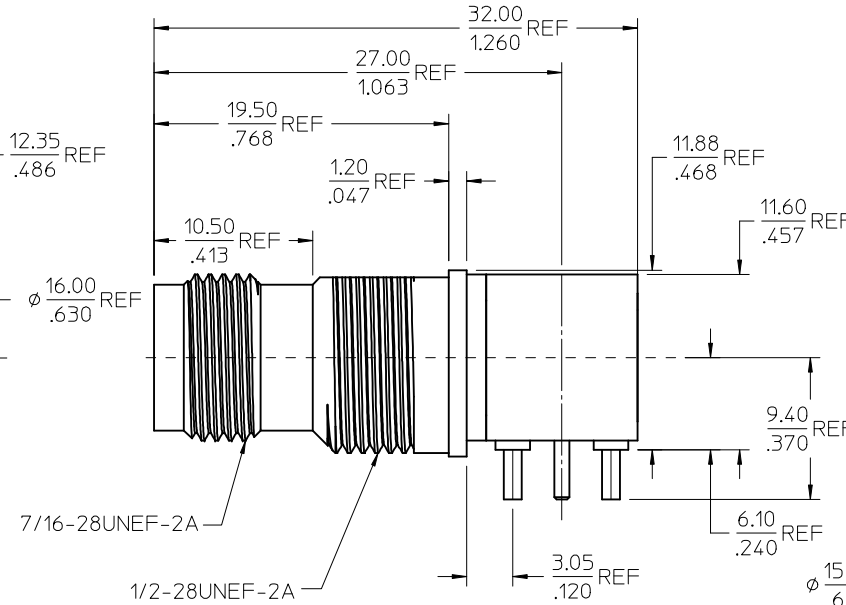
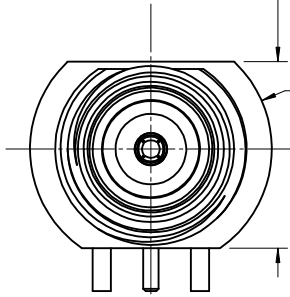
CENTER CONTACT  
BERYLLIUM COPPER  
PLATED GOLD

MALE PIN  
BRASS  
PLATED GOLD

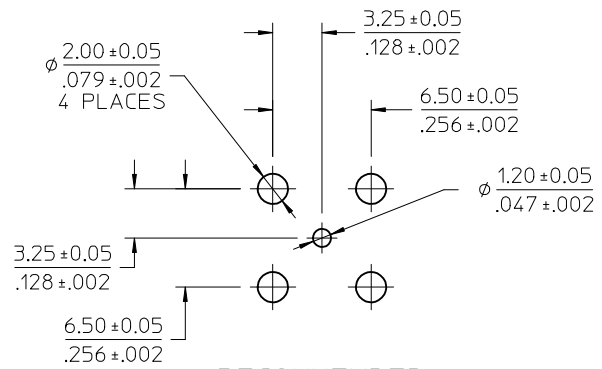
LOCK WASHER  
PHOSPHOR BRONZE  
PLATED NICKEL

INSULATOR  
TEFLON

PACKAGING BY TRAY



RECOMMENDED MOUNTING HOLE



RECOMMENDED PCB LAYOUT

CHG: NEW RELEASED	2009/03/18
EC NO: URF2009-0535	2009/03/18
DRWN: JLEE02	2009/03/18
CHKD: SSS	2009/03/18
APPR: JWIENER	2009/03/18
REV	DESCRIPTION
A	

QUALITY SYMBOLS	▽=0	
	▽=0	
GENERAL TOLERANCES (UNLESS SPECIFIED)		
	mm	
	INCH	
4 PLACES	± .005	± .0002
3 PLACES	± .005	± .0002
2 PLACES	± .005	± .0002
1 PLACE	± .005	± .0002
ANGULAR ± 2°		
DRAFT WHERE APPLICABLE MUST REMAIN WITHIN DIMENSIONS		

DIMENSION STYLE		SCALE	DESIGN UNITS	THIRD ANGLE PROJECTION
MM/IN			METRIC	
DRAWN BY	DATE	TITLE		
JYL	2009/03/09	TNC, JACK BH TH R/A		
CHECKED BY	DATE	PCB, 50 OHM		
SSS	2009/03/09	TNC-J/PCB, EWR-4012		
APPROVED BY	DATE	MOLEX INCORPORATED		
JDW	2009/03/09			
MATERIAL NO.	DOCUMENT NO.	SHEET NO.		
732162130	SD-73216-213	1 OF 1		
SIZE	THIS DRAWING CONTAINS INFORMATION THAT IS PROPRIETARY TO MOLEX INCORPORATED AND SHOULD NOT BE USED WITHOUT WRITTEN PERMISSION			
C				