

---

**DDR II SDRAM****4M x 16 Bit x 4 Banks****DDR II SDRAM**

---

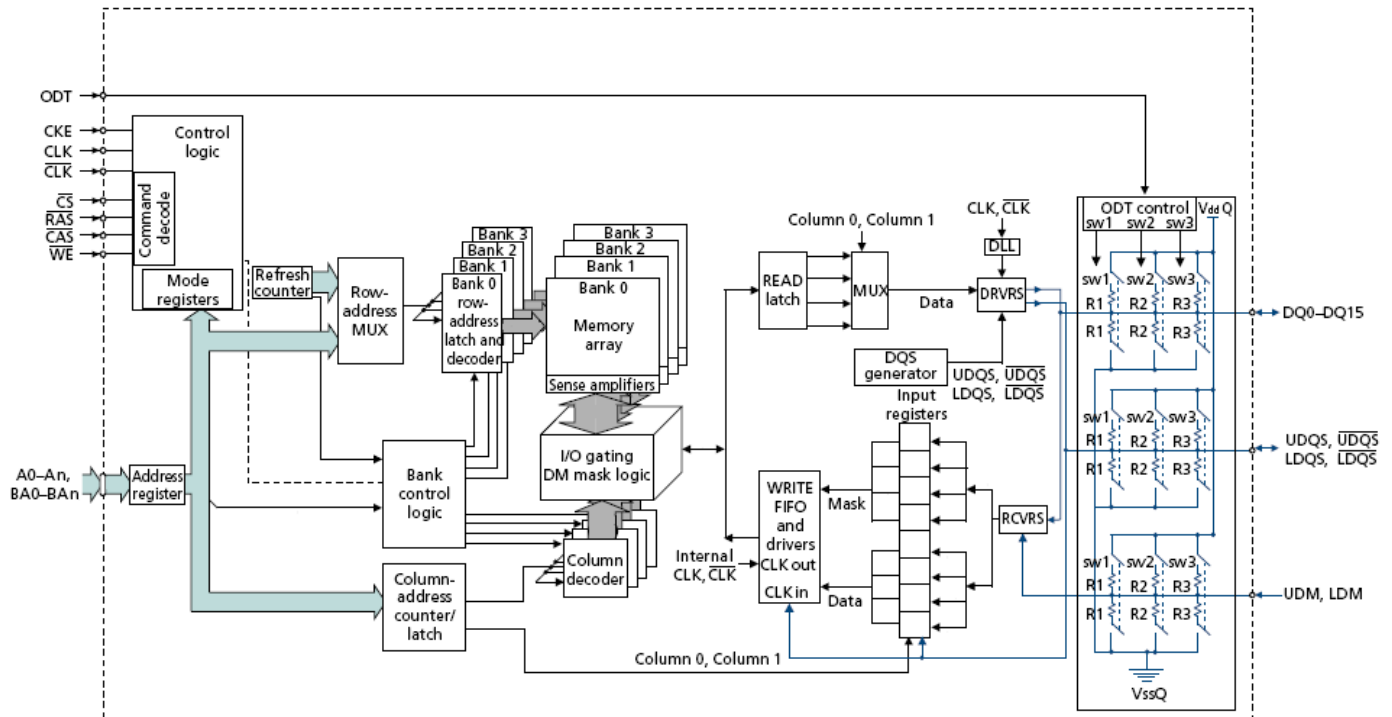
**Features**

- JEDEC Standard
- $V_{DD} = 1.8V \pm 0.1V$ ,  $V_{DDQ} = 1.8V \pm 0.1V$
- Internal pipelined double-data-rate architecture; two data access per clock cycle
- Bi-directional differential data strobe (DQS,  $\overline{DQS}$ );  $\overline{DQS}$  can be disabled for single-ended data strobe operation.
- On-chip DLL
- Differential clock inputs (CLK and  $\overline{CLK}$ )
- DLL aligns DQ and DQS transition with CLK transition
- 1KB page size
  - Row address: A0 to A12
  - Column address: A0 to A8
- Quad bank operation
- CAS Latency : 3, 4, 5, 6, 7
- Additive Latency: 0, 1, 2, 3, 4, 5, 6
- Burst Type : Sequential and Interleave
- Burst Length : 4, 8
- All inputs except data & DM are sampled at the rising edge of the system clock(CLK)
- Data I/O transitions on both edges of data strobe (DQS)
- DQS is edge-aligned with data for READ; center-aligned with data for WRITE
- Data mask (DM) for write masking only
- Off-Chip-Driver (OCD) impedance adjustment is not support.
- On-Die-Termination for better signal quality
- Special function support
  - 50/ 75/ 150 ohm ODT
  - High Temperature Self refresh rate enable
- Auto & Self refresh
- Refresh cycle :
  - 8192 cycles/64ms (7.8 $\mu$  s refresh interval) at  $0\text{ }^{\circ}\text{C} \leq T_c \leq +85\text{ }^{\circ}\text{C}$
  - 8192 cycles/32ms (3.9 $\mu$  s refresh interval) at  $+85\text{ }^{\circ}\text{C} < T_c \leq +95\text{ }^{\circ}\text{C}$
- SSTL\_18 interface

**Ordering Information:**

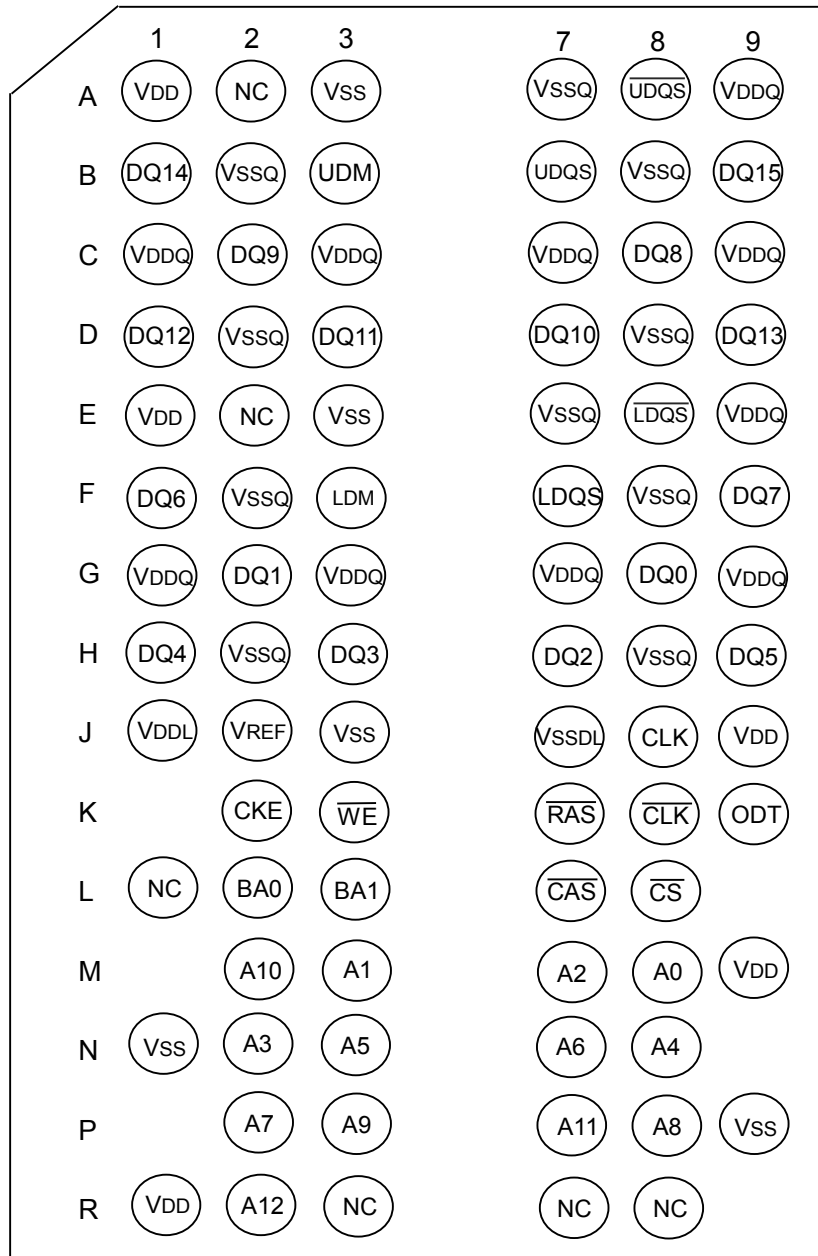
Product ID	Max Freq.	VDD	Data Rate (CL-tRCD-tRP)	Package	Comments
M14D2561616A -1.8BG2L	533MHz	1.8V	DDR2-1066 (7-7-7)	84 ball BGA	Pb-free
M14D2561616A -2.5BG2L	400MHz	1.8V	DDR2-800 (5-5-5)		

**Functional Block Diagram**



Ball Configuration (Top View)

(BGA 84, 8mmX12.5mmX1.2mm Body, 0.8mm Ball Pitch)



## Ball Description

Ball Name	Function	Ball Name	Function
A0~A12, BA0,BA1	Address inputs - Row address A0~A12 - Column address A0~A8 A10/AP : Auto Precharge BA0, BA1 : Bank selects (4 Banks)	DM (LDM, UDM)	DM is an input mask signal for write data. LDM is DM for DQ0~DQ7 and UDM is DM for DQ8~DQ15.
DQ0~DQ15	Data-in/Data-out	CLK, $\overline{\text{CLK}}$	Differential clock input
$\overline{\text{RAS}}$	Command input	CKE	Clock enable
$\overline{\text{CAS}}$	Command input	$\overline{\text{CS}}$	Chip select
$\overline{\text{WE}}$	Command input	V <sub>DDQ</sub>	Supply Voltage for DQ
V <sub>SS</sub>	Ground	V <sub>SSQ</sub>	Ground for DQ
V <sub>DD</sub>	Power	V <sub>REF</sub>	Reference Voltage
DQS, $\overline{\text{DQS}}$ (LDQS, $\overline{\text{LDQS}}$ UDQS, $\overline{\text{UDQS}}$ )	Bi-directional differential Data Strobe. LDQS and $\overline{\text{LDQS}}$ are DQS for DQ0~DQ7; UDQS and $\overline{\text{UDQS}}$ are DQS for DQ8~DQ15.	V <sub>DDL</sub>	Supply Voltage for DLL
ODT	On-Die-Termination. ODT is only applied to DQ0~DQ15, DM, DQS and $\overline{\text{DQS}}$ .	V <sub>SSDL</sub>	Ground for DLL
NC	No connection		

## Absolute Maximum Rating

Parameter	Symbol	Value	Unit
Voltage on any pin relative to V <sub>SS</sub>	V <sub>IN</sub> , V <sub>OUT</sub>	-0.5 ~ 2.3	V
Voltage on V <sub>DD</sub> supply relative to V <sub>SS</sub>	V <sub>DD</sub>	-1.0 ~ 2.3	V
Voltage on V <sub>DDL</sub> supply relative to V <sub>SS</sub>	V <sub>DDL</sub>	-0.5 ~ 2.3	V
Voltage on V <sub>DDQ</sub> supply relative to V <sub>SS</sub>	V <sub>DDQ</sub>	-0.5 ~ 2.3	V
Storage temperature	T <sub>STG</sub>	-55 ~ +100	°C ( Note *)
Power dissipation	P <sub>D</sub>	1.0	W

Stresses greater than those listed under "Absolute Maximum Ratings" may cause permanent damage to the device. This is a stress rating only and functional operation of the device at these or any other conditions above those indicated in the operational sections of this specification is not implied. Exposure to absolute maximum rating conditions for extended periods may affect reliability.

**Note** \*: Storage Temperature is the case surface temperature on the center/top side of the DRAM.

### Operation Temperature Condition

Parameter	Symbol	Value	Unit
Operation temperature	$T_C$	0 ~ +95	°C

Note: 1. Operating temperature is the case surface temperature on the center/top side of the DRAM.

2. Supporting 0 to +85°C with full AC and DC specifications.

Supporting 0 to +85°C and being able to extend to +95°C with doubling auto-refresh commands in frequency to a 32ms period ( $t_{REFI} = 3.9\mu s$ ) and higher temperature Self-Refresh entry via A7 "1" on EMRS(2).

### DC Operation Condition & Specifications

#### DC Operation Condition

(Recommended DC operating conditions)

Parameter	Symbol	Min.	Typ.	Max.	Unit	Note
Supply voltage	$V_{DD}$	1.7	1.8	1.9	V	4
Supply voltage for DLL	$V_{DDL}$	1.7	1.8	1.9	V	4
Supply voltage for output	$V_{DDQ}$	1.7	1.8	1.9	V	4
Input reference voltage	$V_{REF}$	$0.49 \times V_{DDQ}$	$0.5 \times V_{DDQ}$	$0.51 \times V_{DDQ}$	V	1,2
Termination voltage (system)	$V_{TT}$	$V_{REF} - 0.04$	$V_{REF}$	$V_{REF} + 0.04$	V	3
Input logic high voltage	$V_{IH} (DC)$	$V_{REF} + 0.125$	-	$V_{DDQ} + 0.3$	V	
Input logic low voltage	$V_{IL} (DC)$	-0.3	-	$V_{REF} - 0.125$	V	

(All voltages referenced to VSS)

Parameter	Symbol	Value	Unit	Note
Input leakage current ( $V_{SS} \leq V_{IN} \leq V_{DD}$ )	$ I_{LI} $	2	$\mu A$	
Output leakage current ( $V_{SSQ} \leq V_{OUT} \leq V_{DDQ}$ )	$ I_{LO} $	5	$\mu A$	
Output minimum source DC current ( $V_{DDQ}(\min)$ ; $V_{OUT} = 1.42V$ )	$I_{OH}$	-13.4	mA	5
Output minimum sink DC current ( $V_{DDQ}(\min)$ ; $V_{OUT} = 0.28V$ )	$I_{OL}$	+13.4	mA	5

#### Note:

1. The value of  $V_{REF}$  may be selected by the user to provide optimum noise margin in the system. Typically the value of  $V_{REF}$  is expected to be about  $0.5 \times V_{DDQ}$  of the transmitting device and  $V_{REF}$  is expected to track variations in  $V_{DDQ}$ .
2. Peak to peak AC noise on  $V_{REF}$  may not exceed  $\pm 2\% V_{REF}(DC)$ .
3.  $V_{TT}$  of transmitting device must track  $V_{REF}$  of receiving device.
4.  $V_{DDQ}$  and  $V_{DDL}$  track  $V_{DD}$ . AC parameters are measured with  $V_{DD}$ ,  $V_{DDQ}$  and  $V_{DDL}$  tied together.
5. The DC value of  $V_{REF}$  applied to the receiving device is expected to be set to  $V_{TT}$ .

**DC Specifications**

(IDD values are for the operation range of Voltage and Temperature)

Parameter	Symbol	Test Condition	Version		Unit	
			-1.8	-2.5		
Operating Current (Active - Precharge)	IDD0	One bank; $t_{CK} = t_{CK} (IDD)$ , $t_{RC} = t_{RC} (IDD)$ , $t_{RAS} = t_{RAS} (IDD)_{min}$ ; CKE is High, $\overline{CS}$ is HIGH between valid commands; Address bus inputs are SWITCHING; Data bus inputs are SWITCHING	100	90	mA	
Operating Current (Active - Read - Precharge)	IDD1	One bank; $I_{OUT} = 0mA$ ; BL = 4, CL = CL(IDD), AL = 0; $t_{CK} = t_{CK} (IDD)$ , $t_{RC} = t_{RC} (IDD)$ , $t_{RAS} = t_{RAS} (IDD)_{min}$ , $t_{RCD} = t_{RCD} (IDD)$ ; CKE is HIGH, $\overline{CS}$ is HIGH between valid commands; Address bus inputs are SWITCHING; Data pattern is same as IDD4W	115	105	mA	
Precharge Power-Down Standby Current	IDD2P	All banks idle; $t_{CK} = t_{CK} (IDD)$ ; CKE is LOW; Other control and address bus inputs are STABLE; Data bus inputs are FLOATING	25	25	mA	
Precharge Quiet Standby Current	IDD2Q	All banks idle; $t_{CK} = t_{CK} (IDD)$ ; CKE is HIGH, $\overline{CS}$ is HIGH; Other control and address bus inputs are STABLE; Data bus inputs are FLOATING	45	45	mA	
Idle Standby Current	IDD2N	All banks idle; $t_{CK} = t_{CK} (IDD)$ ; CKE is HIGH, $\overline{CS}$ is HIGH; Other control and address bus inputs are SWITCHING; Data bus inputs are SWITCHING	50	50	mA	
Active Power-down Standby Current	IDD3P	All banks open; $t_{CK} = t_{CK} (IDD)$ ; CKE is LOW; Other control and address bus inputs are STABLE; Data bus input are FLOATING	Fast PDN Exit MRS(12) = 0	55	55	mA
			Slow PDN Exit MRS(12) = 1	45	45	
Active Standby Current	IDD3N	All banks open; $t_{CK} = t_{CK} (IDD)$ , $t_{RAS} = t_{RAS} (IDD)_{max}$ , $t_{RP} = t_{RP} (IDD)$ ; CKE is HIGH, $\overline{CS}$ is HIGH between valid commands; Other control and address bus inputs are SWITCHING; Data bus inputs are SWITCHING	80	65	mA	
Operation Current (Read)	IDD4R	All banks open, continuous burst Reads, $I_{OUT} = 0mA$ ; BL = 4, CL = CL (IDD), AL = 0; $t_{CK} = t_{CK} (IDD)$ , $t_{RAS} = t_{RAS} (IDD)_{max}$ , $t_{RP} = t_{RP} (IDD)$ ; CKE is HIGH, $\overline{CS}$ is HIGH between valid commands; Address bus inputs are SWITCHING; Data pattern is the same as IDD4W;	185	155	mA	
Operation Current (Write)	IDD4W	All banks open, continuous burst Writes; BL = 4, CL = CL (IDD), AL = 0; $t_{CK} = t_{CK} (IDD)$ , $t_{RAS} = t_{RAS} (IDD)_{max}$ , $t_{RP} = t_{RP} (IDD)$ ; CKE is HIGH, $\overline{CS}$ is HIGH between valid commands; Address bus inputs are SWITCHING; Data bus inputs are SWITCHING	280	220	mA	

Parameter	Symbol	Test Condition	Version		Unit
			-1.8	-2.5	
Burst Refresh Current	IDD5	t <sub>CK</sub> = t <sub>CK</sub> (IDD); Refresh command every t <sub>RFC</sub> (IDD) interval; CKE is HIGH, CS is HIGH between valid commands; Other control and address bus inputs are SWITCHING; Data bus inputs are SWITCHING	110	105	mA
Self Refresh Current	IDD6	Self Refresh Mode; CLK and $\overline{\text{CLK}}$ at 0V; CKE ≤ 0.2V; Other control and address bus inputs are FLOATING; Data bus inputs are FLOATING	5	5	mA
Operating Current (Bank interleaving)	IDD7	All bank interleaving Reads, I <sub>OUT</sub> = 0mA; BL = 4, CL = CL (IDD), AL = t <sub>RCD</sub> (IDD) - 1 × t <sub>CK</sub> (IDD); t <sub>CK</sub> = t <sub>CK</sub> (IDD), t <sub>RC</sub> = t <sub>RC</sub> (IDD), t <sub>RRD</sub> = t <sub>RRD</sub> (IDD), t <sub>RCD</sub> = 1 × t <sub>CK</sub> (IDD); CKE is HIGH, CS is HIGH between valid commands; Address bus inputs are STABLE during Deslects; Data pattern is the same as IDD4W;	200	190	mA

**Note:**

1. IDD specifications are tested after the device is properly initialized.
2. Input slew rate is specified by AC Input Test Condition.
3. IDD parameters are specified with ODT disabled.
4. Data bus consists of DQ, DM, DQS and  $\overline{\text{DQS}}$ , IDD values must be met with all combinations of EMRS bits 10 and 11.
5. Definitions for IDD:  
 LOW is defined as V<sub>IN</sub> ≤ V<sub>IL</sub> (AC) (max.).  
 HIGH is defined as V<sub>IN</sub> ≥ V<sub>IH</sub> (AC) (min.).  
 STABLE is defined as inputs stable at a HIGH or LOW level.  
 FLOATING is defined as inputs at V<sub>REF</sub> = V<sub>DDQ</sub>/2  
 SWITCHING is defined as:  
 Address and control signal Inputs are changed between HIGH and LOW every other clock cycle (once per two clocks),  
 and DQ (not including mask or strobe) signal inputs are changed between HIGH and LOW every other data transfer  
 (once per clock).
6. When T<sub>C</sub> ≥ +85 °C, IDD6 must be derated by 80%.  
 IDD6 will increase by this amount if T<sub>C</sub> ≥ +85 °C and double refresh option is still enabled.
7. AC Timing for IDD test conditions  
 For purposes of IDD testing, the following parameters are to be utilized.

Parameter	-1.8	-2.5	Unit
	DDR2-1066 (7-7-7)	DDR2-800 (5-5-5)	
CL (IDD)	7	5	t <sub>CK</sub>
tRCD (IDD)	13.125	12.5	ns
tRC (IDD)	58.125	57.5	ns
tRRD (IDD)-1KB	7.5	7.5	ns
tCK (IDD)	1.875	2.5	ns
tRAS (IDD) min.	45	45	ns
tRAS (IDD) max.	70000		ns
tRP (IDD)	13.75	12.5	ns
tRFC (IDD)	75	75	ns

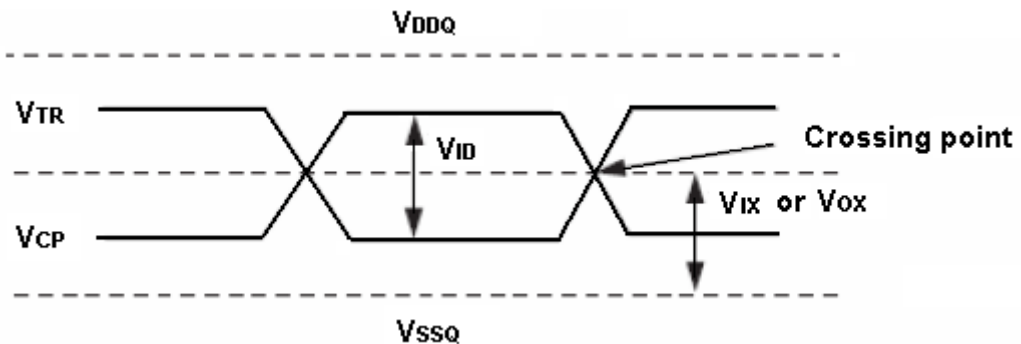
**AC Operation Conditions & Timing Specification**

**AC Operation Conditions**

Parameter	Symbol	-1.8 / -2.5		Unit	Note
		Min.	Max.		
Input High (Logic 1) Voltage	$V_{IH(AC)}$	$V_{REF} + 0.2$		V	
Input Low (Logic 0) Voltage	$V_{IL(AC)}$		$V_{REF} - 0.2$	V	
Input Differential Voltage	$V_{ID(AC)}$	0.5	$V_{DDQ} + 0.6$	V	1
Input Crossing Point Voltage	$V_{IX(AC)}$	$0.5 \times V_{DDQ} - 0.175$	$0.5 \times V_{DDQ} + 0.175$	V	2
Output Crossing Point Voltage	$V_{OX(AC)}$	$0.5 \times V_{DDQ} - 0.125$	$0.5 \times V_{DDQ} + 0.125$	V	2

**Note:**

- $V_{ID(AC)}$  specifies the input differential voltage  $|V_{TR} - V_{CP}|$  required for switching, where  $V_{TR}$  is the true input signal (such as CLK, DQS) and  $V_{CP}$  is the complementary input signal (such as  $\overline{CLK}$ ,  $\overline{DQS}$ ). The minimum value is equal to  $V_{IH(AC)} - V_{IL(AC)}$ .
- The typical value of  $V_{IX} / V_{OX(AC)}$  is expected to be about  $0.5 \times V_{DDQ}$  of the transmitting device and  $V_{IX} / V_{OX(AC)}$  is expected to track variations in  $V_{DDQ}$ .  $V_{IX} / V_{OX(AC)}$  indicates the voltage at which differential input / output signals must cross.



**Input / Output Capacitance**

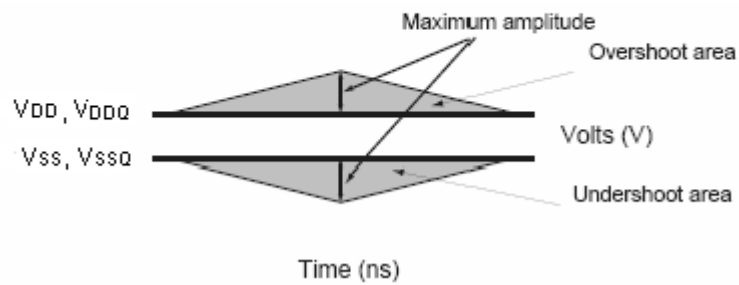
Parameter	Symbol	Min.	Max.	Unit	Note
Input capacitance (A0~A12, BA0~BA1, $\overline{CKE}$ , $\overline{CS}$ , $\overline{RAS}$ , $\overline{CAS}$ , $\overline{WE}$ , ODT)	$C_{IN1}$	1.0	1.75	pF	1
Input capacitance (CLK, $\overline{CLK}$ )	$C_{IN2}$	1.0	2.0	pF	1
DQS, $\overline{DQS}$ & Data input/output capacitance	$C_{I/O}$	2.5	3.5	pF	2
Input capacitance (DM)	$C_{IN3}$	2.5	3.5	pF	2

- Note:**
- Capacitance delta is 0.25 pF.
  - Capacitance delta is 0.5 pF.

**AC Overshoot / Undershoot Specification**

Parameter	Pin	Value		Unit
		-1.8	-2.5	
Maximum peak amplitude allowed for overshoot	Address, CKE, $\overline{CS}$ , $\overline{RAS}$ , $\overline{CAS}$ , $\overline{WE}$ , ODT, CLK, $\overline{CLK}$ , DQ, DQS, $\overline{DQS}$ , DM	0.5		V
Maximum peak amplitude allowed for undershoot	Address, CKE, $\overline{CS}$ , $\overline{RAS}$ , $\overline{CAS}$ , $\overline{WE}$ , ODT, CLK, $\overline{CLK}$ , DQ, DQS, $\overline{DQS}$ , DM	0.5		V
Maximum overshoot area above $V_{DD}$	Address, CKE, $\overline{CS}$ , $\overline{RAS}$ , $\overline{CAS}$ , $\overline{WE}$ , ODT,	0.5	0.66	V-ns
	CLK, $\overline{CLK}$ , DQ, DQS, $\overline{DQS}$ , DM	0.19	0.23	V-ns
Maximum undershoot area below $V_{SS}$	Address, CKE, $\overline{CS}$ , $\overline{RAS}$ , $\overline{CAS}$ , $\overline{WE}$ , ODT,	0.5	0.66	V-ns
	CLK, $\overline{CLK}$ , DQ, DQS, $\overline{DQS}$ , DM	0.19	0.23	V-ns

Overshoot/Undershoot Definition

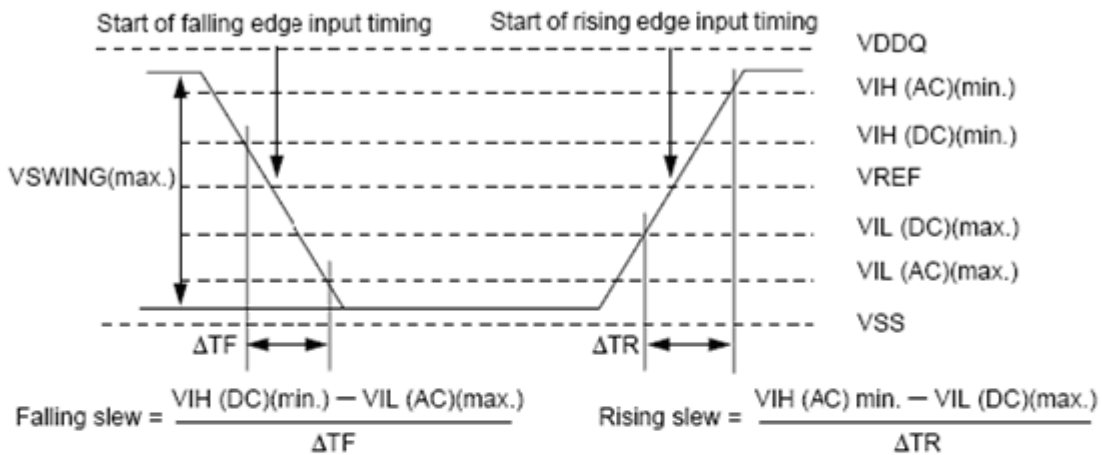


**AC Operating Test Conditions**

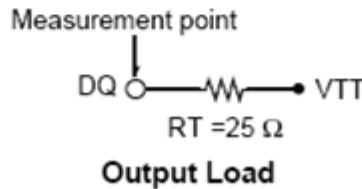
Parameter	Value	Unit	Note
Input reference voltage ( $V_{REF}$ )	$0.5 \times V_{DDQ}$	V	1
Input signal maximum peak swing ( $V_{SWING(max.)}$ )	1.0	V	1
Input signal minimum slew rate (SLEW)	1.0	V/ns	2,3
Input level	$V_{IH} / V_{IL}$	V	
Input timing measurement reference level	$V_{REF}$	V	
Output timing measurement reference level ( $V_{OTR}$ )	$0.5 \times V_{DDQ}$	V	4

**Note:**

1. Input waveform timing is referenced to the input signal crossing through the  $V_{IH} / V_{IL}$  (AC) level applied to the device under test.
2. The input signal minimum slew rate is to be maintained over the range from  $V_{REF}$  to  $V_{IH}$  (AC) (min.) for rising edges and the range from  $V_{REF}$  to  $V_{IL}$  (AC)(max.) for falling edges as shown in the below figure.
3. AC timings are referenced with input waveforms switching from  $V_{IL}$  (AC) to  $V_{IH}$  (AC) on the positive transitions and  $V_{IH}$  (AC) to  $V_{IL}$  (AC) on the negative transitions.
4. The  $V_{DDQ}$  of the device under test is reference.



**AC Input Test Signal Wave forms**



## AC Timing Parameter &amp; Specifications

Parameter		Symbol	-1.8		-2.5		Unit	Note
			Min.	Max.	Min.	Max.		
Clock period	CL=3	$t_{CK} (avg)$	5000	8000	5000	8000	ps	12
	CL=4		3750	8000	3750	8000		
	CL=5		2500	8000	2500	8000		
	CL=6		2500	8000	2500	8000		
	CL=7		1875	8000	2500	8000		
DQ output access time from CLK/ $\overline{CLK}$		$t_{AC}$	-350	+350	-400	+400	ps	9
CLK high-level width		$t_{CH} (avg)$	0.48	0.52	0.48	0.52	$t_{CK} (avg)$	12
CLK low-level width		$t_{CL} (avg)$	0.48	0.52	0.48	0.52	$t_{CK} (avg)$	12
DQS output access time from CLK/ $\overline{CLK}$		$t_{DQSCK}$	-325	+325	-350	+350	ps	9
Clock to first rising edge of DQS delay		$t_{DQSS}$	-0.25	+0.25	-0.25	+0.25	$t_{CK} (avg)$	
Data-in and DM setup time (to DQS)		$t_{DS} (base)$	0	-	50	-	ps	3
Data-in and DM hold time (to DQS)		$t_{DH} (base)$	75	-	125	-	ps	4
DQ and DM input pulse width (for each input)		$t_{DIPW}$	0.35	-	0.35	-	$t_{CK} (avg)$	
Address and Control Input setup time		$t_{IS} (base)$	125	-	175	-	ps	3
Address and Control Input hold time		$t_{IH} (base)$	200	-	250	-	ps	4
Control and Address input pulse width		$t_{IPW}$	0.6	-	0.6	-	$t_{CK} (avg)$	
DQS input high pulse width		$t_{DQSH}$	0.35	-	0.35	-	$t_{CK} (avg)$	
DQS input low pulse width		$t_{DQSL}$	0.35	-	0.35	-	$t_{CK} (avg)$	
DQS falling edge to CLK rising setup time		$t_{DSS}$	0.2	-	0.2	-	$t_{CK} (avg)$	
DQS falling edge from CLK rising hold time		$t_{DSH}$	0.2	-	0.2	-	$t_{CK} (avg)$	
Data strobe edge to output data edge		$t_{DQSQ}$	-	175	-	200	ps	
Data-out high-impedance window from CLK/ $\overline{CLK}$		$t_{HZ}$	-	$t_{AC}(max.)$	-	$t_{AC}(max.)$	ps	9
Data-out low-impedance window from CLK/ $\overline{CLK}$		$t_{LZ} (DQS)$	$t_{AC}(min.)$	$t_{AC}(max.)$	$t_{AC}(min.)$	$t_{AC}(max.)$	ps	9
DQ low-impedance window from CLK/ $\overline{CLK}$		$t_{LZ} (DQ)$	2 x $t_{AC}(min.)$	$t_{AC}(max.)$	2 x $t_{AC}(min.)$	$t_{AC}(max.)$	ps	9

## AC Timing Parameter &amp; Specifications - Continued

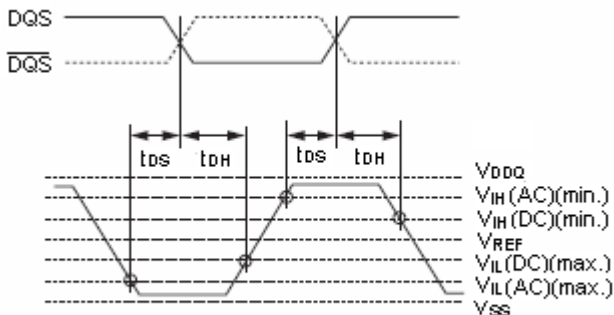
Parameter	Symbol	-1.8		-2.5		Unit	Note
		Min.	Max.	Min.	Max.		
Half clock period	$t_{HP}$	Min ( $t_{CL}(abs)$ , $t_{CH}(abs)$ )	-	Min ( $t_{CL}(abs)$ , $t_{CH}(abs)$ )	-	ps	5,12
DQ/DQS output hold time from DQS	$t_{QH}$	$t_{HP}-t_{QHS}$	-	$t_{HP}-t_{QHS}$	-	ps	
DQ hold skew factor	$t_{QHS}$	-	250	-	300	ps	
Active to Precharge command	$t_{RAS}$	45	70K	45	70K	ns	
Active to Active command (same bank)	$t_{RC}$	58.125	-	57.5	-	ns	
Auto Refresh row cycle time	$t_{RFC}$	75	-	75	-	ns	
Active to Read, Write delay	$t_{RCD}$	13.125	-	12.5	-	ns	
Precharge command period	$t_{RP}$	13.125	-	12.5	-	ns	
Active bank A to Active bank B command (1KB page size)	$t_{RRD}$	7.5	-	7.5	-	ns	
Write recovery time	$t_{WR}$	15	-	15	-	ns	
Write data in to Read command delay	$t_{WTR}$	7.5	-	7.5	-	ns	
Col. address to Col. address delay	$t_{CCD}$	2	-	2	-	$t_{CK}$	
Average periodic Refresh interval ( $0^{\circ}C \leq T_c \leq +85^{\circ}C$ )	$t_{REFI}$	-	7.8	-	7.8	$\mu s$	
Average periodic Refresh interval ( $+85^{\circ}C < T_c \leq +95^{\circ}C$ )	$t_{REFI}$	-	3.9	-	3.9	$\mu s$	
Write preamble	$t_{WPRE}$	0.35	-	0.35	-	$t_{CK}$ (avg)	
Write postamble	$t_{WPST}$	0.4	0.6	0.4	0.6	$t_{CK}$ (avg)	
DQS Read preamble	$t_{RPRE}$	0.9	1.1	0.9	1.1	$t_{CK}$ (avg)	10
DQS Read postamble	$t_{RPST}$	0.4	0.6	0.4	0.6	$t_{CK}$ (avg)	11
Load Mode Register / Extended Mode Register cycle time	$t_{MRD}$	2	-	2	-	$t_{CK}$	
Auto Precharge write recovery + Precharge time	$t_{DAL}$	WR + RU ( $t_{RP}/t_{CK}$ (avg))	-	WR + RU ( $t_{RP}/t_{CK}$ (avg))	-	$t_{CK}$	18
Internal Read to Precharge command delay	$t_{RTP}$	7.5	-	7.5	-	ns	
Exit Self Refresh to Read command	$t_{XSRD}$	200	-	200	-	$t_{CK}$	
Exit Self Refresh to non-Read command	$t_{XSNR}$	$t_{RFC} + 10$	-	$t_{RFC} + 10$	-	ns	
Exit Precharge Power-Down to any non-Read command	$t_{XP}$	3	-	2	-	$t_{CK}$	
Exit Active Power-Down to Read command	$t_{XARD}$	3	-	2	-	$t_{CK}$	2

AC Timing Parameter & Specifications - Continued

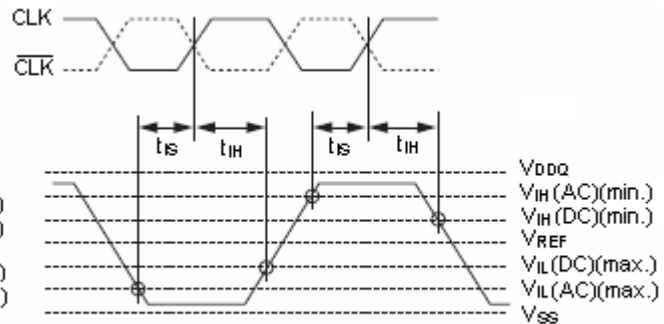
Parameter	Symbol	-1.8		-2.5		Unit	Note
		Min.	Max.	Min.	Max.		
Exit active power-down to Read command (slow exit / low power mode)	$t_{XARDS}$	10 - AL	-	8 - AL	-	$t_{CK}$	1,2
CKE minimum pulse width (high and low pulse width)	$t_{CKE}$	3	-	3	-	$t_{CK}$	
Minimum time clocks remains ON after CKE asynchronously drops low	$t_{DELAY}$	$t_{IS} + t_{CK} (avg) + t_{IH}$	-	$t_{IS} + t_{CK} (avg) + t_{IH}$	-	ns	
Output impedance test driver delay	$t_{OIT}$	0	12	0	12	ns	
MRS command to ODT update delay	$t_{MOD}$	0	12	0	12	ns	
ODT turn-on delay	$t_{AOND}$	2	2	2	2	$t_{CK}$	
ODT turn-on	$t_{AON}$	$t_{AC}(min.)$	$t_{AC}(max.) + 700$	$t_{AC}(min.)$	$t_{AC}(max.) + 700$	ps	13,15
ODT turn-on (Power-Down mode)	$t_{AONPD}$	$t_{AC}(min.) + 2000$	$2 \times t_{CK} + t_{AC}(max.) + 1000$	$t_{AC}(min.) + 2000$	$2 \times t_{CK} + t_{AC}(max.) + 1000$	ps	
ODT turn-off delay	$t_{AOFD}$	2.5	2.5	2.5	2.5	$t_{CK}$	17
ODT turn-off	$t_{AOF}$	$t_{AC}(min.)$	$t_{AC}(max.) + 600$	$t_{AC}(min.)$	$t_{AC}(max.) + 600$	ps	14,16,17
ODT turn-off (Power-Down mode)	$t_{AOFPD}$	$t_{AC}(min.) + 2000$	$2.5 \times t_{CK} + t_{AC}(max.) + 1000$	$t_{AC}(min.) + 2000$	$2.5 \times t_{CK} + t_{AC}(max.) + 1000$	ps	
ODT to Power-Down entry latency	$t_{ANPD}$	3	3	3	3	$t_{CK}$	
ODT Power-Down exit latency	$t_{AXPD}$	8	8	8	8	$t_{CK}$	

Note:

1. AL: Additive Latency.
2. MRS A12 bit defines which Active Power-Down Exit timing to be applied.
3. The figures of Input Waveform Timing 1 and 2 are referenced from the input signal crossing at the  $V_{IH}(AC)$  level for a rising signal and  $V_{IL}(AC)$  for a falling signal applied to the device under test.
4. The figures of Input Waveform Timing 1 and 2 are referenced from the input signal crossing at the  $V_{IL}(DC)$  level for a rising signal and  $V_{IH}(DC)$  for a falling signal applied to the device under test.



Input Waveform Timing 1 ( $t_{DS}, t_{DH}$ )



Input Waveform Timing 2 ( $t_{IS}, t_{IH}$ )

5.  $t_{HP}$  is the minimum of the absolute half period of the actual input clock.  $t_{HP}$  is an input parameter but not an input specification parameter. It is used in conjunction with  $t_{QHS}$  to derive the DRAM output timing  $t_{QH}$ . The value to be used for  $t_{QH}$  calculation is determined by the following equation;  
 $t_{HP} = \text{Min} ( t_{CH} (\text{abs}), t_{CL} (\text{abs}) )$ , where:  
 $t_{CH} (\text{abs})$  is the minimum of the actual instantaneous clock HIGH time;  
 $t_{CL} (\text{abs})$  is the minimum of the actual instantaneous clock LOW time;
6.  $t_{QHS}$  accounts for:
- The pulse duration distortion of on-chip clock circuits, which represents how well the actual  $t_{HP}$  at the input is transferred to the output; and
  - The worst case push-out of DQS on one transition followed by the worst case pull-in of DQ on the next transition, both of which are independent of each other, due to data pin skew, output pattern effects, and p-channel to n-channel variation of the output drivers.
7.  $t_{QH} = t_{HP} - t_{QHS}$ , where:  
 $t_{HP}$  is the minimum of the absolute half period of the actual input clock; and  $t_{QHS}$  is the specification value under the max column. {The less half-pulse width distortion present, the larger the  $t_{QH}$  value is; and the larger the valid data eye will be.}  
 Examples:
- If the system provides  $t_{HP}$  of 1315 ps into a DDR2-667 SDRAM, the DRAM provides  $t_{QH}$  of 975 ps minimum.
  - If the system provides  $t_{HP}$  of 1420 ps into a DDR2-667 SDRAM, the DRAM provides  $t_{QH}$  of 1080 ps minimum.
8. RU stands for round up. WR refers to the  $t_{WR}$  parameter stored in the MRS.
9. When the device is operated with input clock jitter, this parameter needs to be de-rated by the actual  $t_{ERR}$  (6-10per) of the input clock. (output de-ratings are relative to the SDRAM input clock.)  
 For example, if the measured jitter into a DDR2-667 SDRAM has  $t_{ERR}$  (6-10per)(min.) = - 272 ps and  $t_{ERR}$  (6-10per)(max.) = + 293 ps, then  $t_{DQSK}$  (min.)(derated) =  $t_{DQSK}$  (min.) -  $t_{ERR}$  (6-10per)(max.) = - 400 ps - 293 ps = - 693 ps and  $t_{DQSK}$  (max.)(derated) =  $t_{DQSK}$  (max.) -  $t_{ERR}$  (6-10per)(min.) = 400 ps + 272 ps = + 672 ps. Similarly,  $t_{LZ}$  (DQ) for DDR2-667 de-rates to  $t_{LZ}$  (DQ)(min.)(derated) = - 900 ps - 293 ps = - 1193 ps and  $t_{LZ}$  (DQ)(max.)(derated) = 450 ps + 272 ps = + 722 ps.
10. When the device is operated with input clock jitter, this parameter needs to be de-rated by the actual  $t_{JIT}$  (per) of the input clock. (output de-ratings are relative to the SDRAM input clock.)  
 For example, if the measured jitter into a DDR2-667 SDRAM has  $t_{JIT}$  (per)(min.) = - 72 ps and  $t_{JIT}$  (per)(max.) = + 93 ps, then  $t_{RPRE}$  (min.)(derated) =  $t_{RPRE}$  (min.) +  $t_{JIT}$  (per)(min.) =  $0.9 \times t_{CK}$  (avg) - 72 ps = + 2178 ps and  $t_{RPRE}$  (max.)(derated) =  $t_{RPRE}$  (max.) +  $t_{JIT}$  (per)(max.) =  $1.1 \times t_{CK}$  (avg) + 93 ps = + 2843 ps.
11. When the device is operated with input clock jitter, this parameter needs to be de-rated by the actual  $t_{JIT}$  (duty) of the input clock. (output de-ratings are relative to the SDRAM input clock.)  
 For example, if the measured jitter into a DDR2-667 SDRAM has  $t_{JIT}$  (duty)(min.) = - 72 ps and  $t_{JIT}$  (duty)(max.) = + 93 ps, then  $t_{RPST}$  (min.)(derated) =  $t_{RPST}$  (min.) +  $t_{JIT}$  (duty)(min.) =  $0.4 \times t_{CK}$  (avg) - 72 ps = + 928 ps and  $t_{RPST}$  (max.)(derated) =  $t_{RPST}$  (max.) +  $t_{JIT}$  (duty)(max.) =  $0.6 \times t_{CK}$  (avg) + 93 ps = + 1592 ps.
12. Refer to the Clock Jitter table.
13. ODT turn on time min is when the device leaves high impedance and ODT resistance begins to turn on.  
 ODT turn on time max is when the ODT resistance is fully on. Both are measured from  $t_{AOND}$ .
14. ODT turn off time min is when the device starts to turn off ODT resistance.  
 ODT turn off time max is when the bus is in high impedance. Both are measured from  $t_{AOFD}$ .
15. When the device is operated with input clock jitter, this parameter needs to be de-rated by the actual  $t_{ERR}$  (6-10per) of the input clock. (output de-ratings are relative to the SDRAM input clock.)
16. When the device is operated with input clock jitter, this parameter needs to be derated by { -  $t_{JIT}$  (duty)(max.) -  $t_{ERR}$  (6-10per)(max.) } and { -  $t_{JIT}$  (duty)(min.) -  $t_{ERR}$  (6-10per)(min.) } of the actual input clock. (output deratings are relative to the SDRAM input clock.)  
 For example, if the measured jitter into a DDR2-667 SDRAM has  $t_{ERR}$  (6-10per)(min.) = - 272 ps,  $t_{ERR}$  (6-10per)(max.) = + 293 ps,  $t_{JIT}$  (duty)(min.) = - 106 ps and  $t_{JIT}$  (duty)(max.) = + 94 ps, then  $t_{AOF}$  (min.)(derated) =  $t_{AOF}$  (min.) + { -  $t_{JIT}$  (duty)(max.) -  $t_{ERR}$  (6-10per)(max.) } = - 450 ps + { - 94 ps - 293 ps } = - 837 ps and  $t_{AOF}$  (max.)(derated) =  $t_{AOF}$  (max.) + { -  $t_{JIT}$  (duty)(min.) -  $t_{ERR}$  (6-10per)(min.) } = 1050 ps + { 106 ps + 272 ps } = + 1428 ps.

17. For  $t_{AOFD}$  of DDR2-667/800, the  $1/2$  clock of  $t_{CK}$  in the  $2.5 \times t_{CK}$  assumes a  $t_{CH}$  (avg), average input clock HIGH pulse width of 0.5 relative to  $t_{CK}$  (avg).  $t_{AOF}$  (min.) and  $t_{AOF}$  (max.) should each be derated by the same amount as the actual amount of  $t_{CH}$  (avg) offset present at the DRAM input with respect to 0.5.

For example, if an input clock has a worst case  $t_{CH}$  (avg) of 0.48, the  $t_{AOF}$  (min.) should be derated by subtracting  $0.02 \times t_{CK}$  (avg) from it, whereas if an input clock has a worst case  $t_{CH}$  (avg) of 0.52, the  $t_{AOF}$  (max.) should be derated by adding  $0.02 \times t_{CK}$  (avg) to it. Therefore, we have;

$$t_{AOF}(\text{min.})(\text{derated}) = t_{AC}(\text{min.}) - [0.5 - \text{Min}(0.5, t_{CH}(\text{avg})(\text{min.}))] \times t_{CK}(\text{avg})$$

$$t_{AOF}(\text{max.})(\text{derated}) = t_{AC}(\text{max.}) + 0.6 + [\text{Max}(0.5, t_{CH}(\text{avg})(\text{max.})) - 0.5] \times t_{CK}(\text{avg})$$

or

$$t_{AOF}(\text{min.})(\text{derated}) = \text{Min}(t_{AC}(\text{min.}), t_{AC}(\text{min.}) - [0.5 - t_{CH}(\text{avg})(\text{min.})] \times t_{CK}(\text{avg}))$$

$$t_{AOF}(\text{max.})(\text{derated}) = 0.6 + \text{Max}(t_{AC}(\text{max.}), t_{AC}(\text{max.}) + [t_{CH}(\text{avg})(\text{max.}) - 0.5] \times t_{CK}(\text{avg})), \text{ where:}$$

$t_{CH}(\text{avg})(\text{min.})$  and  $t_{CH}(\text{avg})(\text{max.})$  are the minimum and maximum of  $t_{CH}$  (avg) actually measured at the DRAM input balls.

## ODT DC Electrical Characteristics

Parameter	Symbol	Min.	Typ.	Max.	Unit
Rtt effective impedance value for 75 $\Omega$ setting EMRS(1) [A6, A2] = 0, 1	Rtt1(eff)	60	75	90	$\Omega$
Rtt effective impedance value for 150 $\Omega$ setting EMRS(1) [A6, A2] = 1, 0	Rtt2(eff)	120	150	180	$\Omega$
Rtt effective impedance value for 50 $\Omega$ setting EMRS(1) [A6, A2] = 1, 1	Rtt3(eff)	40	50	60	$\Omega$
Deviation of VM with respect to $V_{DDQ}/2$	$\Delta VM$	-6	-	+6	%

## Note:

Measurement Definition for Rtt(eff) :

Rtt(eff) is determined by separately applying  $V_{IH}(AC)$  and  $V_{IL}(AC)$  to test pin, and then measuring current  $I(V_{IH}(AC))$  and  $I(V_{IL}(AC))$  respectively.

$$R_{tt}(\text{eff}) = \frac{V_{IH}(AC) - V_{IL}(AC)}{I(V_{IH}(AC)) - I(V_{IL}(AC))}$$

Measurement Definition for  $\Delta VM$  :

Measure voltage (VM) at test pin with no load.

$$\Delta VM = \left( \frac{2 \times VM}{V_{DDQ}} - 1 \right) \times 100\%$$

**Clock Jitter [ DDR2- 800, 667 ]**

Input clock jitter spec parameter. These parameters and the ones in the table below are referred to as 'input clock jitter spec parameters' and these parameters apply to DDR2-667 and DDR2-800 only. The jitter specified is a random jitter meeting a Gaussian distribution.

Parameter	Symbol	-1.8		-2.5		Unit	Note
		Min.	Max.	Min.	Max.		
Clock period jitter	t <sub>JIT</sub> (per)	-90	90	-100	100	ps	5
Clock period jitter during DLL locking period	t <sub>JIT</sub> (per, lck)	-80	80	-80	80	ps	5
Cycle to cycle period jitter	t <sub>JIT</sub> (cc)	-180	180	-200	200	ps	6
Cycle to cycle clock period jitter During DLL locking period	t <sub>JIT</sub> (cc, lck)	-160	160	-160	160	ps	6
Cumulative error across 2 cycles	t <sub>ERR</sub> (2per)	-132	132	-150	150	ps	7
Cumulative error across 3 cycles	t <sub>ERR</sub> (3per)	-157	157	-175	175	ps	7
Cumulative error across 4 cycles	t <sub>ERR</sub> (4per)	-175	175	-200	200	ps	7
Cumulative error across 5 cycles	t <sub>ERR</sub> (5per)	-188	188	-200	200	ps	7
Cumulative error across n=6,7,8,9,10 cycles	t <sub>ERR</sub> (6-10per)	-250	250	-300	300	ps	7
Cumulative error across n=11,12,...49,50 cycles	t <sub>ERR</sub> (11-50per)	-425	425	-450	450	ps	7
Average high pulse width	t <sub>CH</sub> (avg)	0.48	0.52	0.48	0.52	t <sub>CK</sub> (avg)	2
Average low pulse width	t <sub>CL</sub> (avg)	0.48	0.52	0.48	0.52	t <sub>CK</sub> (avg)	3
Duty cycle jitter	t <sub>JIT</sub> (duty)	-100	100	-100	100	ps	4

**Note:**

- t<sub>CK</sub> (avg) is calculated as the average clock period across any consecutive 200 cycle window.

$$t_{CK} (avg) = \left\{ \sum_{j=1}^N t_{CKj} \right\} / N$$

$$N = 200$$

- t<sub>CH</sub> (avg) is defined as the average HIGH pulse width, as calculated across any consecutive 200 HIGH pulses.

$$t_{CH} (avg) = \left\{ \sum_{j=1}^N t_{CHj} \right\} / (N \times t_{CK} (avg))$$

$$N = 200$$

- t<sub>CL</sub> (avg) is defined as the average LOW pulse width, as calculated across any consecutive 200 LOW pulses.

$$t_{CL} (avg) = \left\{ \sum_{j=1}^N t_{CLj} \right\} / (N \times t_{CK} (avg))$$

$$N = 200$$

- t<sub>JIT</sub> (duty) is defined as the cumulative set of t<sub>CH</sub> jitter and t<sub>CL</sub> jitter. t<sub>CH</sub> jitter is the largest deviation of any single t<sub>CH</sub> from t<sub>CH</sub> (avg). t<sub>CL</sub> jitter is the largest deviation of any single t<sub>CL</sub> from t<sub>CL</sub> (avg).

t<sub>JIT</sub> (duty) is not subject to production test.

t<sub>JIT</sub> (duty) = Min./Max. of { t<sub>JIT</sub> (CH), t<sub>JIT</sub> (CL)}, where:

t<sub>JIT</sub> (CH) = { t<sub>CHj</sub> - t<sub>CH</sub> (avg) where j = 1 to 200 }

t<sub>JIT</sub> (CL) = { t<sub>CLj</sub> - t<sub>CL</sub> (avg) where j = 1 to 200 }

- t<sub>JIT</sub> (per) is defined as the largest deviation of any single t<sub>CK</sub> from t<sub>CK</sub> (avg).

t<sub>JIT</sub> (per) = Min./Max. of { t<sub>CKj</sub> - t<sub>CK</sub> (avg) where j = 1 to 200 }

t<sub>JIT</sub> (per) defines the single period jitter when the DLL is already locked.

t<sub>JIT</sub> (per, lck) uses the same definition for single period jitter, during the DLL locking period only.

t<sub>JIT</sub> (per) and t<sub>JIT</sub> (per, lck) are not subject to production testing.

6.  $t_{JIT} (cc)$  is defined as the difference in clock period between two consecutive clock cycles :  $t_{JIT} (cc) = \text{Max. of } |t_{CK} i + 1 - t_{CK} i|$   
 $t_{JIT} (cc)$  defines the cycle to cycle jitter when the DLL is already locked.  
 $t_{JIT} (cc, lck)$  uses the same definition for cycle to cycle jitter, during the DLL locking period only.  
 $t_{JIT} (cc)$  and  $t_{JIT} (cc, lck)$  are not subject to production testing.
7.  $t_{ERR} (nper)$  is defined as the cumulative error across multiple consecutive cycles from  $t_{CK} (avg)$ .  
 $t_{ERR} (nper)$  is not subject to production testing.

$$t_{ERR} (nper) = \left\{ \sum_{j=1}^N t_{CK_j} \right\} - n \times t_{CK} (avg)$$

$$2 \leq n \leq 50 \text{ for } t_{ERR} (nper)$$

8. These parameters are specified per their average values, however it is understood that the following relationship between the average timing and the absolute instantaneous timing holds at all times. (Min. and max. of SPEC values are to be used for calculations in the table below.)

Parameter	Symbol	Min.	Max.	Unit
Absolute clock period	$t_{CK} (abs)$	$t_{CK} (avg)(min.) + t_{JIT} (per)(min.)$	$t_{CK} (avg)(max.) + t_{JIT} (per)(max.)$	ps
Absolute clock high pulse width	$t_{CH} (abs)$	$t_{CH} (avg)(min.) \times t_{CK} (avg)(min.) + t_{JIT} (duty)(min.)$	$t_{CH} (avg)(max.) \times t_{CK} (avg)(max.) + t_{JIT} (duty)(max.)$	ps
Absolute clock low pulse width	$t_{CL} (abs)$	$t_{CL} (avg)(min.) \times t_{CK} (avg)(min.) + t_{JIT} (duty)(min.)$	$t_{CL} (avg)(max.) \times t_{CK} (avg)(max.) + t_{JIT} (duty)(max.)$	ps

Example: For DDR2-667,  $t_{CH} (abs)(min.) = (0.48 \times 3000ps) - 125 ps = 1315 ps$

## Input Slew Rate De-rating

For all input signals the total  $t_{IS}$ ,  $t_{DS}$  (setup time) and  $t_{IH}$ ,  $t_{DH}$  (hold time) required is calculated by adding the data sheet  $t_{IS}$  (base),  $t_{DS}$  (base) and  $t_{IH}$  (base),  $t_{DH}$  (base) value to the  $\Delta t_{IS}$ ,  $\Delta t_{DS}$  and  $\Delta t_{IH}$ ,  $\Delta t_{DH}$  de-rating value respectively.

Example:  $t_{DS} (total\ setup\ time) = t_{DS} (base) + \Delta t_{DS}$ .

Setup ( $t_{IS}$ ,  $t_{DS}$ ) nominal slew rate for a rising signal is defined as the slew rate between the last crossing of  $V_{REF} (DC)$  and the first crossing of  $V_{IH} (AC)(min.)$ . Setup ( $t_{IS}$ ,  $t_{DS}$ ) nominal slew rate for a falling signal is defined as the slew rate between the last crossing of  $V_{REF} (DC)$  and the first crossing of  $V_{IL} (AC)(max.)$ . If the actual signal is always earlier than the nominal slew rate line between shaded 'V<sub>REF</sub> (DC) to AC region', use nominal slew rate for de-rating value (See the figure of Slew Rate Definition Nominal).

If the actual signal is later than the nominal slew rate line anywhere between shaded 'V<sub>REF</sub> (DC) to AC region', the slew rate of a tangent line to the actual signal from the AC level to DC level is used for de-rating value (see the figure of Slew Rate Definition Tangent).

Hold ( $t_{IH}$ ,  $t_{DH}$ ) nominal slew rate for a rising signal is defined as the slew rate between the last crossing of  $V_{IL} (DC)(max.)$  and the first crossing of  $V_{REF} (DC)$ . Hold ( $t_{IH}$ ,  $t_{DH}$ ) nominal slew rate for a falling signal is defined as the slew rate between the last crossing of  $V_{IH} (DC)(min.)$  and the first crossing of  $V_{REF} (DC)$ . If the actual signal is always later than the nominal slew rate line between shaded 'DC level to V<sub>REF</sub> (DC) region', use nominal slew rate for de-rating value (See the figure of Slew Rate Definition Nominal). If the actual signal is earlier than the nominal slew rate line anywhere between shaded 'DC to V<sub>REF</sub> (DC) region', the slew rate of a tangent line to the actual signal from the DC level to V<sub>REF</sub> (DC) level is used for de-rating value (see the figure of Slew Rate Definition Tangent).

Although for slow slew rates the total setup time might be negative (i.e. a valid input signal will not have reached  $V_{IH} / V_{IL} (AC)$  at the time of the rising clock transition) a valid input signal is still required to complete the transition and reach  $V_{IH} / V_{IL} (AC)$ .

For slew rates in between the values listed in the tables below, the de-rating values may be obtained by linear interpolation. These values are typically not subject to production test. They are verified by design and characterization.

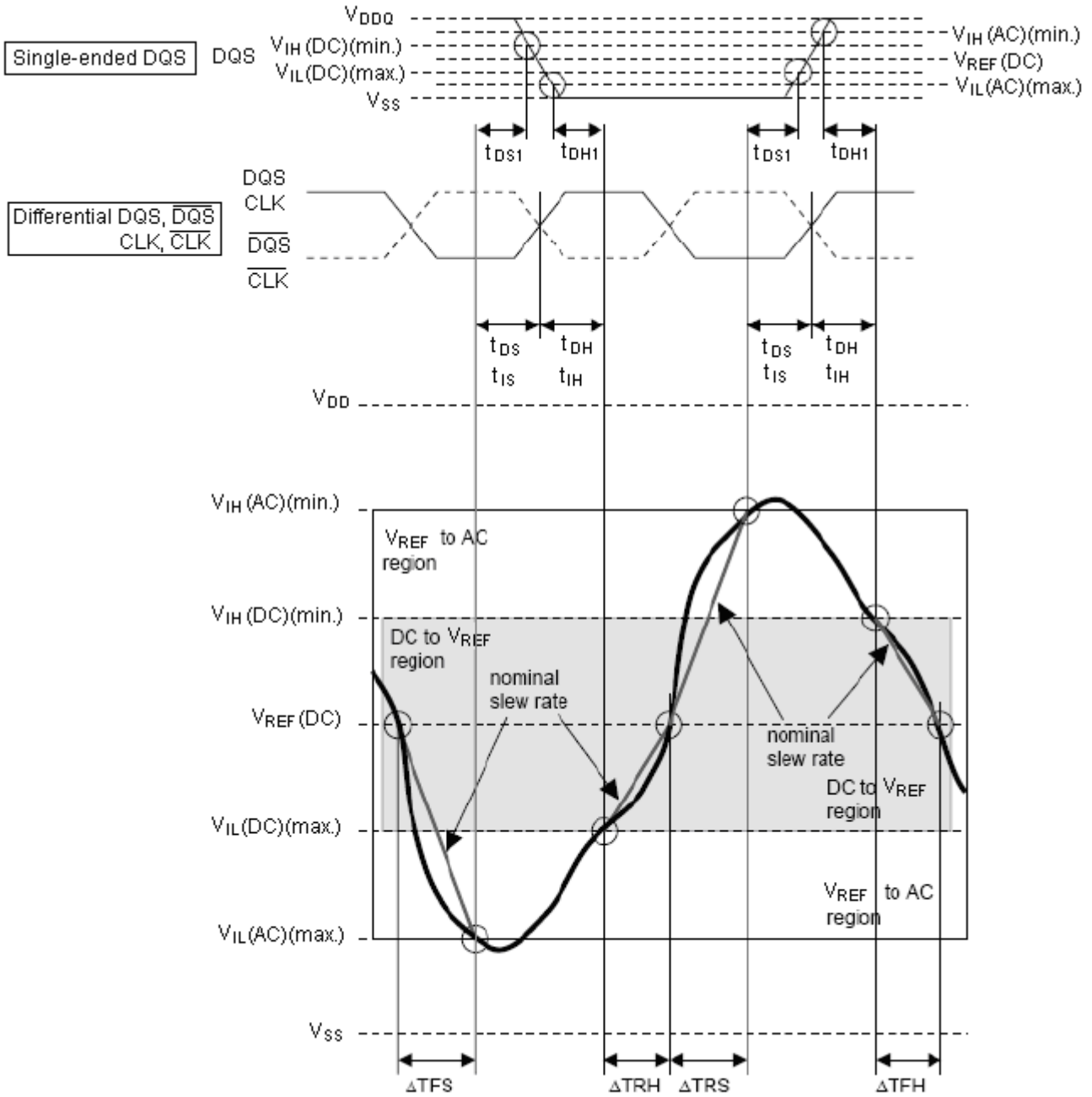
**De-rating Value of t<sub>DS</sub>/t<sub>DH</sub> with Differential DQS (DDR2-1066, 800)**

		DQS, $\overline{DQS}$ differential slew rate																		Unit
		4.0 V/ns		3.0 V/ns		2.0 V/ns		1.8 V/ns		1.6 V/ns		1.4 V/ns		1.2 V/ns		1.0 V/ns		0.8 V/ns		
		$\Delta t_{DS}$	$\Delta t_{DH}$	$\Delta t_{DS}$	$\Delta t_{DH}$	$\Delta t_{DS}$	$\Delta t_{DH}$	$\Delta t_{DS}$	$\Delta t_{DH}$	$\Delta t_{DS}$	$\Delta t_{DH}$	$\Delta t_{DS}$	$\Delta t_{DH}$	$\Delta t_{DS}$	$\Delta t_{DH}$	$\Delta t_{DS}$	$\Delta t_{DH}$	$\Delta t_{DS}$	$\Delta t_{DH}$	
DQ slew rate (V/ns)	2.0	+100	+45	+100	+45	+100	+45	-	-	-	-	-	-	-	-	-	-	-	-	ps
	1.5	+67	+21	+67	+21	+67	+21	+79	+33	-	-	-	-	-	-	-	-	-	-	ps
	1.0	0	0	0	0	0	0	+12	+12	+24	+24	-	-	-	-	-	-	-	-	ps
	0.9	-	-	-5	-14	-5	-14	+7	-2	+19	+10	+31	+22	-	-	-	-	-	-	ps
	0.8	-	-	-	-	-13	-31	-1	-19	+11	-7	+23	+5	+35	+17	-	-	-	-	ps
	0.7	-	-	-	-	-	-	-10	-42	+2	-30	+14	-18	+26	-6	+38	+6	-	-	ps
	0.6	-	-	-	-	-	-	-	-	-10	-59	+2	-47	+14	-35	+26	-23	+38	-11	ps
	0.5	-	-	-	-	-	-	-	-	-	-	-24	-89	-12	-77	0	-65	+12	-53	ps
	0.4	-	-	-	-	-	-	-	-	-	-	-	-	-52	-140	-40	-128	-28	-116	ps

**De-rating Value of t<sub>IS</sub>/t<sub>IH</sub> (DDR2-1066, 800)**

		CLK, $\overline{CLK}$ differential slew rate						Unit
		2.0 V/ns		1.5 V/ns		1.0 V/ns		
		$\Delta t_{IS}$	$\Delta t_{IH}$	$\Delta t_{IS}$	$\Delta t_{IH}$	$\Delta t_{IS}$	$\Delta t_{IH}$	
Command / Address slew rate (V/ns)	4.0	+150	+94	+180	+124	+210	+154	ps
	3.5	+143	+89	+173	+119	+203	+149	ps
	3.0	+133	+83	+163	+113	+193	+143	ps
	2.5	+120	+75	+150	+105	+180	+135	ps
	2.0	+100	+45	+130	+75	+160	+105	ps
	1.5	+67	+21	+97	+51	+127	+81	ps
	1.0	0	0	+30	+30	+60	+60	ps
	0.9	-5	-14	+25	+16	+55	+46	ps
	0.8	-13	-31	+17	-1	+47	+29	ps
	0.7	-22	-54	+8	-24	+38	+6	ps
	0.6	-34	-83	-4	-53	+26	-23	ps
	0.5	-60	-125	-30	-95	0	-65	ps
	0.4	-100	-188	-70	-158	-40	-128	ps
	0.3	-168	-292	-138	-262	-108	-232	ps
	0.25	-200	-375	-170	-345	-140	-315	ps
	0.2	-325	-500	-295	-470	-265	-440	ps
0.15	-517	-708	-487	-678	-457	-648	ps	
0.1	-1000	-1125	-970	-1095	-940	-1065	ps	

**Slew Rate Definition Nominal**



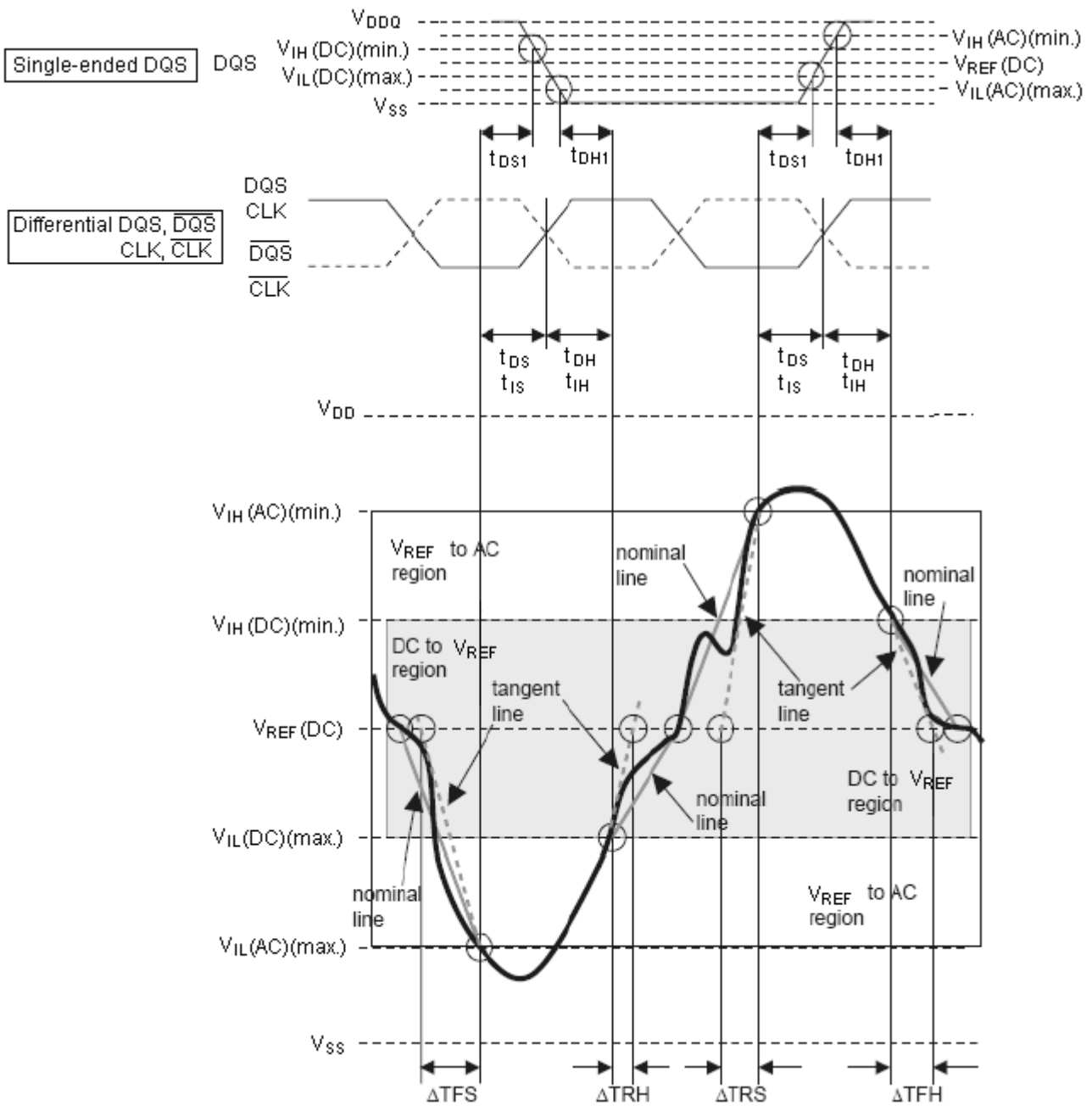
$$\text{Setup slew rate Falling signal} = \frac{V_{REF}(DC) - V_{IL}(AC)(max.)}{\Delta TFS}$$

$$\text{Hold slew rate Rising signal} = \frac{V_{REF}(DC) - V_{IL}(DC)(max.)}{\Delta TRH}$$

$$\text{Setup slew rate Rising signal} = \frac{V_{IH}(AC)(min.) - V_{REF}(DC)}{\Delta TRS}$$

$$\text{Hold slew rate Falling signal} = \frac{V_{IH}(DC)(min.) - V_{REF}(DC)}{\Delta TFH}$$

Slew Rate Definition Tangent



$$\text{Setup slew rate Falling signal} = \frac{\text{tangent line } [V_{REF}(DC) - V_{IL}(AC)(max.)]}{\Delta TFS}$$

$$\text{Hold slew rate Rising signal} = \frac{\text{tangent line } [V_{REF}(DC) - V_{IL}(DC)(max.)]}{\Delta TRH}$$

$$\text{Setup slew rate Rising signal} = \frac{\text{tangent line } [V_{IH}(AC)(min.) - V_{REF}(DC)]}{\Delta TRS}$$

$$\text{Hold slew rate Falling signal} = \frac{\text{tangent line } [V_{IH}(DC)(min.) - V_{REF}(DC)]}{\Delta TFH}$$

Command Truth Table

COMMAND		Note 7 CKE(n-1)	Note 7 CKE(n)	$\overline{CS}$	$\overline{RAS}$	$\overline{CAS}$	$\overline{WE}$	DM	BA0,1	A10/AP	A12~A11, A9~A0	Note
(Extended) Mode Register Set		H	H	L	L	L	L	X	OP Code			1,2
Refresh	Auto Refresh	H	H	L	L	L	H	X	X	X		10,12
	Self Refresh		Entry									
		Exit	L	H	H	H	X	X	X	X		6,9,12
Bank Active		H	H	L	L	H	H	X	V	Row Address		
Read	Auto Precharge Disable	H	H	L	H	L	H	X	V	L	Column Address (A8~A0)	1,3
	Auto Precharge Enable									H		
Write	Auto Precharge Disable	H	H	L	H	L	L	X	V	L	Column Address (A8~A0)	1,3
	Auto Precharge Enable									H		
Precharge	Bank Selection	H	H	L	L	H	L	X	V	L	X	
	All Banks								X	H		
Active Power-Down	Entry	H	L	H	X	X	X	X	X	X		4,11,12,14
				L	H	H	H					
	Exit			H	X	X	X	X				4,8,12,14
				L	H	H	H					
Precharge Power-Down	Entry	H	L	H	X	X	X	X	X	X		4,11,12,14
				L	H	H	H					
	Exit			H	X	X	X	X				4,8,12,14
				L	H	H	H					
DM		H	H	X				V	X			15
Device Deselect		H	X	H	X	X	X	X	X			
No Operation		H	X	L	H	H	H	X	X			

(OP Code = Operand Code, V = Valid, X = Don't Care, H = Logic High, L = Logic Low)

Note:

- BA during a MRS/EMRS command selects which mode register is programmed.
- MRS/EMRS can be issued only at all bank Precharge state.
- Burst Reads or Writes at BL = 4 cannot be terminated or interrupted.
- The Power-Down mode does not perform any Refresh operations. The duration of Power-Down is limited by the Refresh requirements. Need one clock delay to entry and exit mode.
- The state of ODT does not affect the states described in this table. The ODT function is not available during Self Refresh.
- Self Refresh Exit is asynchronous.
- CKE (n) is the logic state of CKE at clock edge n; CKE (n-1) was the state of CKE at the previous clock edge.
- All states not shown are illegal or reserved unless explicitly described elsewhere in this document.
- On Self Refresh, Exit Deselect or NOP commands must be issued on every clock edge occurring during the t<sub>XSNR</sub> period. Read commands may be issued only after t<sub>XSRD</sub> is satisfied.
- Self Refresh mode can only be entered from all banks Idle state.
- Power-Down and Self Refresh can not be entered while Read or Write operations, MRS/EMRS operations or Precharge operations are in progress.
- Minimum CKE HIGH / LOW time is t<sub>CKE</sub> (min).
- The state of ODT does not affect the states described in this table. The ODT function is not available during Self Refresh.
- ODT must be driven HIGH or LOW in Power-Down if the ODT function is enabled.
- Used to mask write data, provided coincident with the corresponding data.

**Power On and Initialization**

DDR2 SDRAM must be powered up and initialized in a predefined manner. Operational procedures other than those specified may result in undefined operation.

**Power-Up and Initialization Sequence**

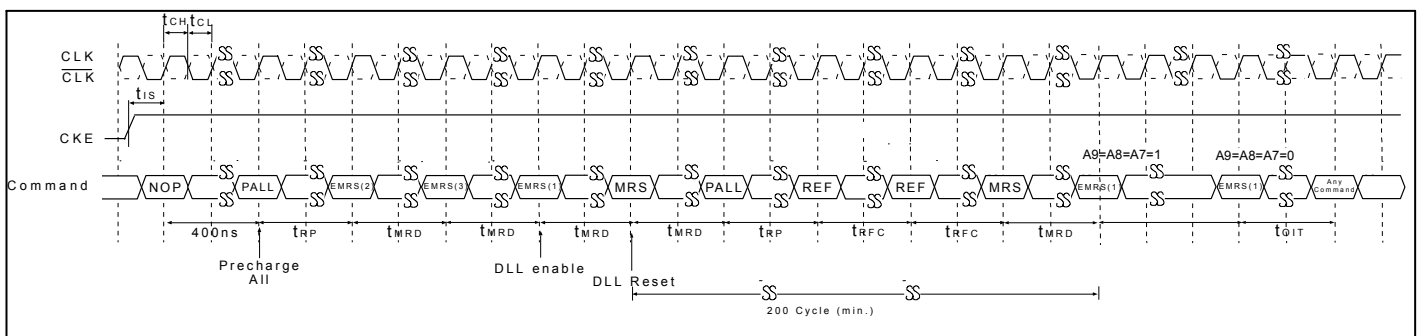
The following sequence is required for Power-Up and Initialization.

1. Apply power and attempt to maintain CKE below  $0.2 \times V_{DDQ}$  and ODT (\*1) at a low state (all other inputs may be undefined).
  - $V_{DD}$ ,  $V_{DDL}$  and  $V_{DDQ}$  are driven from a single power converter output, AND
  - $V_{TT}$  is limited to 0.95V max, AND
  - $V_{REF}$  tracks  $V_{DDQ} / 2$ .
 or
  - Apply  $V_{DD}$  before or at the same time as  $V_{DDL}$ .
  - Apply  $V_{DDL}$  before or at the same time as  $V_{DDQ}$ .
  - Apply  $V_{DDQ}$  before or at the same time as  $V_{TT}$  and  $V_{REF}$ .
 at least one of these two sets of conditions must be met.
2. Start clock and maintain stable condition.
3. For the minimum of 200us after stable power and clock (CLK,  $\overline{CLK}$ ), then apply NOP or Deselect and take CKE High.
4. Waiting minimum of 400ns then issue Precharge commands for all banks of the device. NOP or Deselect applied during 400ns period.
5. Issue EMRS(2) command. (To issue EMRS(2) command, provide "LOW" to BA0, "HIGH" to BA1.)
6. Issue EMRS(3) command. (To issue EMRS(3) command, provide "HIGH" to BA0 and BA1.)
7. Issue EMRS(1) to enable DLL. (To issue "DLL Enable" command, provide "LOW" to A0, "HIGH" to BA0 and "LOW" to BA1.)
8. Issue a Mode Register Set command for "DLL reset".  
(To issue DLL reset command, provide "HIGH" to A8 and "LOW" to BA0-1)
9. Issue Precharge commands for all banks of the device.
10. Issue 2 or more Auto Refresh commands.
11. Issue a Mode Register Set command with LOW to A8 to initialize device operation. (To program operation parameters without resetting the DLL.)
12. At least 200 clocks after step 8, issue EMRS(1) command with A9=A8= A7=1. Then issue EMRS (1) command with A9=A8= A7=0 with other operating parameters of EMRS (1).
13. The DDR2 SDRAM is now ready for normal operation.

**Note:**

\*1) To guarantee ODT off,  $V_{REF}$  must be valid and a low level must be applied to the ODT pin.

**Initialization Sequence after Power-UP**

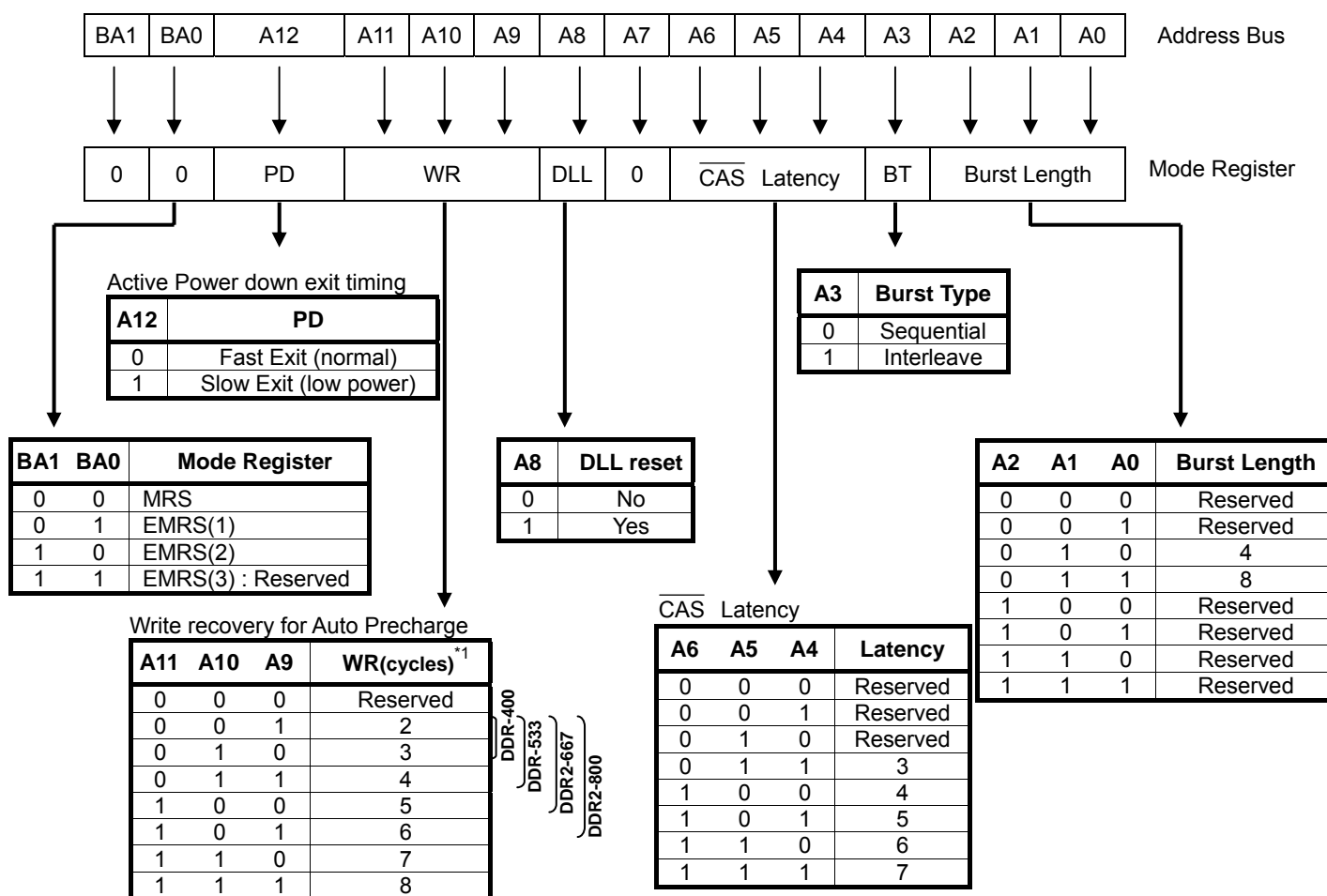


**Mode Register Definition**

**Mode Register Set [MRS]**

The mode register stores the data for controlling the various operating modes of DDR2 SDRAM. It programs  $\overline{\text{CAS}}$  latency, burst length, burst type, test mode, DLL reset, WR and various vendor specific options to make the device useful for variety of different applications. The default value of the mode register is not defined, therefore the mode register must be written after Power-Up for proper operation. The mode register is written by asserting LOW on  $\overline{\text{CS}}$ ,  $\overline{\text{RAS}}$ ,  $\overline{\text{CAS}}$ ,  $\overline{\text{WE}}$ , BA0 and BA1 (The device should be in all bank Precharge with CKE already high prior to writing into the mode register). The state of address pins A0~A12 in the same cycle as  $\overline{\text{CS}}$ ,  $\overline{\text{RAS}}$ ,  $\overline{\text{CAS}}$ ,  $\overline{\text{WE}}$ , BA0 and BA1 going LOW are written in the mode register.

The  $t_{\text{MRD}}$  time is required to complete the write operation to the mode register. The mode register contents can be changed using the same command and clock cycle requirements during normal operation as long as all banks are in the idle state. The mode register is divided into various fields depending on functionality. The burst length is defined by A0 ~ A2. Burst address sequence type is defined by A3, CAS latency (read latency from column address) is defined by A4 ~ A6. The DDR2 doesn't support half clock latency mode. A8 is used for DLL reset. Write recovery time WR is defined by A9 ~ A11. Refer to the table for specific codes.



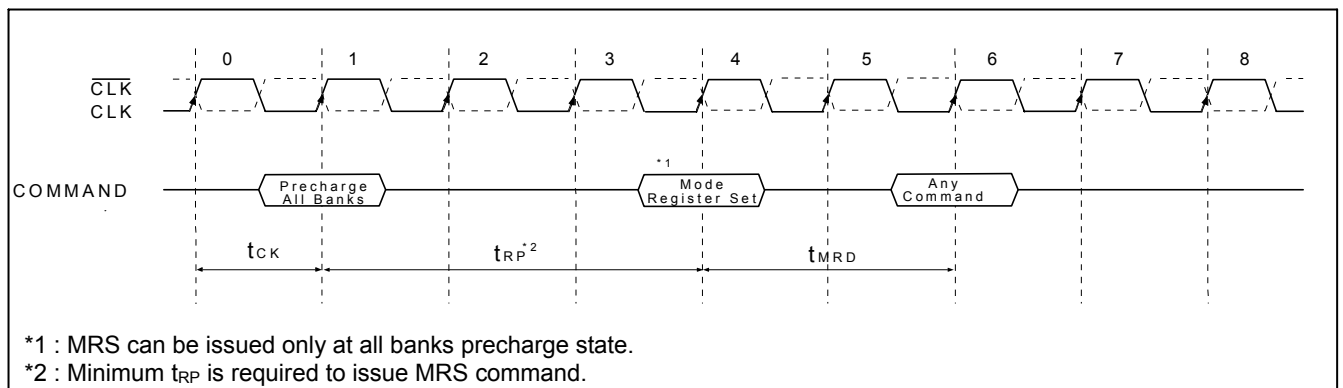
**Note:**

- WR(min.) (write recovery for Auto Precharge) is determined by  $t_{\text{CK}}$  (max.) and WR(max.) is determined by  $t_{\text{CK}}$  (min.) WR in clock cycles is calculated by dividing  $t_{\text{WR}}$  (in ns) by  $t_{\text{CK}}$  (in ns) and rounding up a non-integer value to the next integer ( $\text{WR}[\text{cycles}] = t_{\text{WR}}(\text{ns}) / t_{\text{CK}}(\text{ns})$ ). The mode register must be programmed to this value. This is also used with  $t_{\text{RP}}$  to determine  $t_{\text{DAL}}$ .

**Burst Address Ordering for Burst Length**

Burst Length	Starting Column Address (A2, A1,A0)	Sequential Mode	Interleave Mode
4	000	0, 1, 2, 3	0, 1, 2, 3
	001	1, 2, 3, 0	1, 0, 3, 2
	010	2, 3, 0, 1	2, 3, 0, 1
	011	3, 0, 1, 2	3, 2, 1, 0
8	000	0, 1, 2, 3, 4, 5, 6, 7	0, 1, 2, 3, 4, 5, 6, 7
	001	1, 2, 3, 0, 5, 6, 7, 4	1, 0, 3, 2, 5, 4, 7, 6
	010	2, 3, 0, 1, 6, 7, 4, 5	2, 3, 0, 1, 6, 7, 4, 5
	011	3, 0, 1, 2, 7, 4, 5, 6	3, 2, 1, 0, 7, 6, 5, 4
	100	4, 5, 6, 7, 0, 1, 2, 3	4, 5, 6, 7, 0, 1, 2, 3
	101	5, 6, 7, 4, 1, 2, 3, 0	5, 4, 7, 6, 1, 0, 3, 2
	110	6, 7, 4, 5, 2, 3, 0, 1	6, 7, 4, 5, 2, 3, 0, 1
	111	7, 4, 5, 6, 3, 0, 1, 2	7, 6, 5, 4, 3, 2, 1, 0

**Mode Register Set**



**DLL Enable / Disable**

The DLL must be enabled for normal operation. DLL enable is required during power-up initialization, and upon returning to normal operation after having the DLL disabled for the purpose of debug or evaluation (upon exiting Self Refresh Mode, the DLL is enabled automatically). Any time the DLL is enabled, 200 clock cycles must occur before a READ command can be issued.

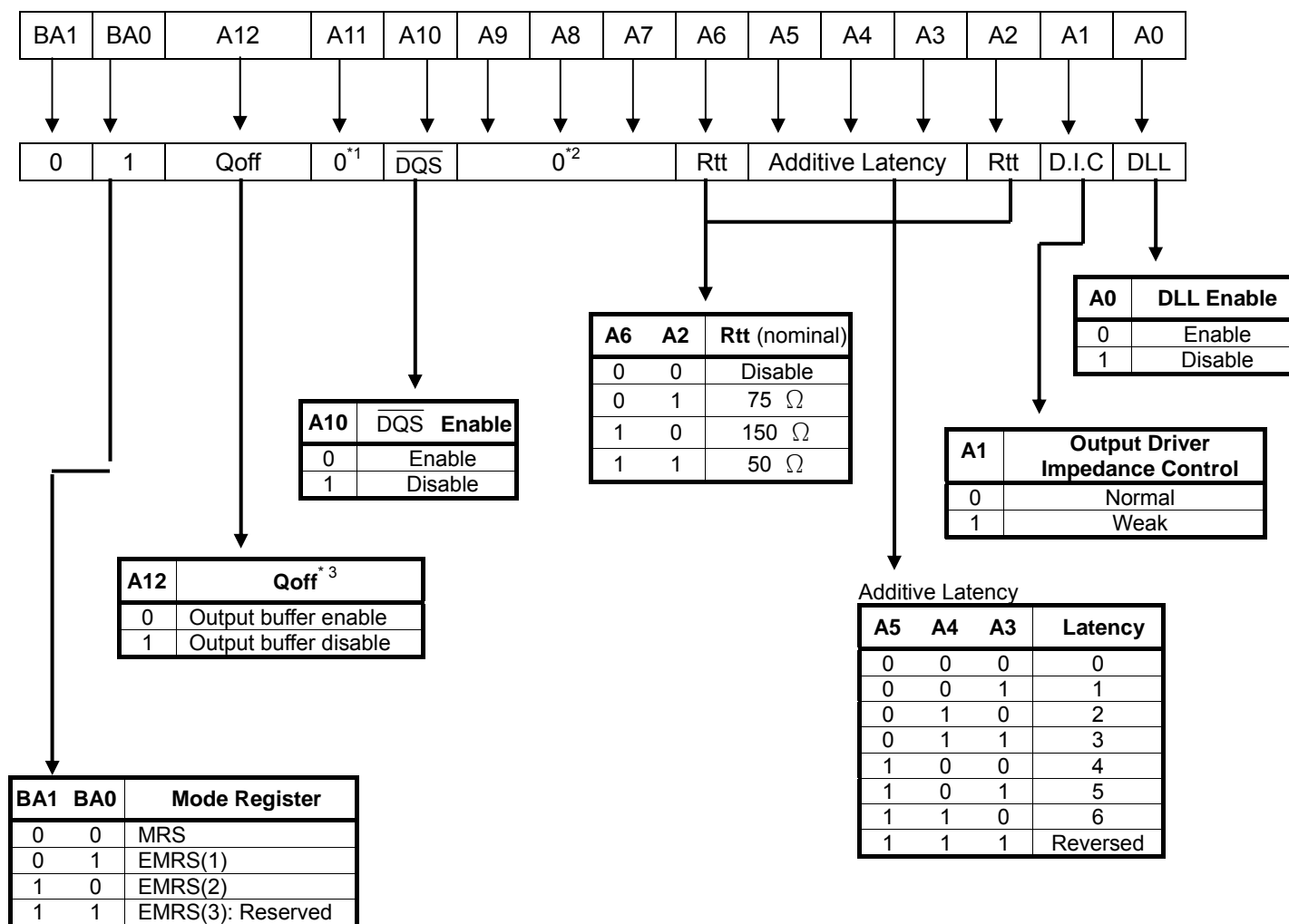
**Output Drive Impedance Control**

The normal drive strength for all outputs is specified to be SSTL<sub>18</sub>. The device also supports a weak drive strength option, intended for lighter load and/or point-to-point environments.

**Extended Mode Register Set-1 [EMRS(1)]**

The EMRS(1) stores the data for enabling or disabling DLL, output driver impedance control, additive latency, ODT, disable  $\overline{DQS}$ . The default value of the EMRS(1) is not defined, therefore EMRS(1) must be written after power up for proper operation. The EMRS(1) is written by asserting LOW on  $\overline{CS}$ ,  $\overline{RAS}$ ,  $\overline{CAS}$ ,  $\overline{WE}$ , BA1 and HIGH on BA0 (The device should be in all bank Precharge with CKE already high prior to writing into EMRS(1)). The state of address pins A0~A12 in the same cycle as  $\overline{CS}$ ,  $\overline{RAS}$ ,  $\overline{CAS}$ ,  $\overline{WE}$  and BA1 going LOW and BA0 going HIGH are written in the EMRS(1).

The  $t_{MRD}$  time is required to complete the write operation to the EMRS(1). The EMRS(1) contents can be changed using the same command and clock cycle requirements during normal operation as long as all banks are in the idle state. A0 is used for DLL enable or disable. A1 is used for reducing output driver impedance control. The additive latency is defined by A3~A5. A10 is used for  $\overline{DQS}$  disable. ODT setting is defined by A2 and A6.



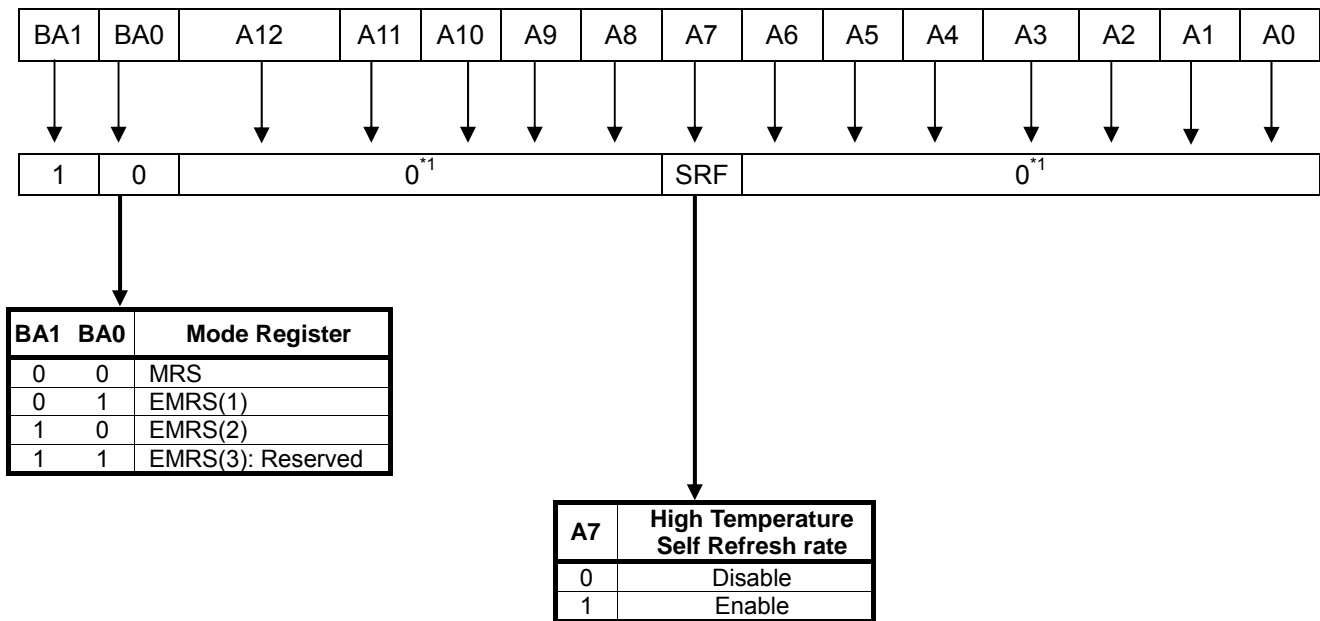
**Note:**

- A11 is reserved for future use and must be set to 0.
- It must be set to 1 first, and then set to 0 in initialization. Refer to the Power-Up and Initialization Sequence for detailed information.
- Output disabled - DQs, DQSs,  $\overline{DQS}$ s. This feature is used in conjunction with DIMM IDD measurements when IDDQ is not desired to be included.

**Extended Mode Register Set-2 [EMRS(2)]**

The EMRS(2) controls refresh related features. The default value of the EMRS(2) is not defined, therefore EMRS(2) must be written after power up for proper operation. The EMRS(2) is written by asserting LOW on  $\overline{CS}$ ,  $\overline{RAS}$ ,  $\overline{CAS}$ ,  $\overline{WE}$ , BA0 and HIGH on BA1 (The device should be in all bank Precharge with CKE already high prior to writing into EMRS(2)). The state of address pins A0~A12 in the same cycle as  $\overline{CS}$ ,  $\overline{RAS}$ ,  $\overline{CAS}$ ,  $\overline{WE}$  and BA0 going LOW and BA1 going HIGH are written in the EMRS(2).

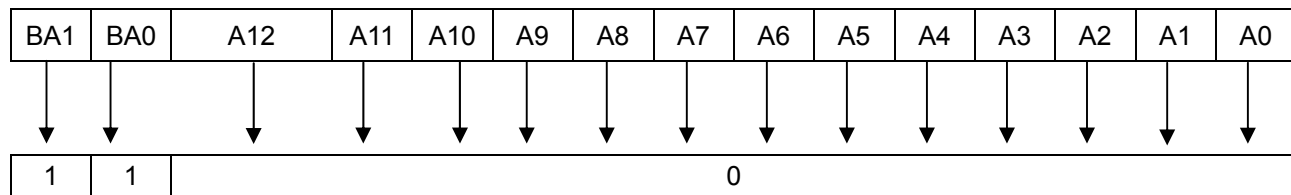
The  $t_{MRD}$  time is required to complete the write operation to the EMRS(2). The EMRS(2) contents can be changed using the same command and clock cycle requirements during normal operation as long as all banks are in the idle state. A7 is used for high temperature self refresh rate enable or disable.



**Note:**

1. A0~A6 and A8~A12 are reserved for future use and must be set to 0.

**Extended Mode Register Set-3 [EMRS(3)]**



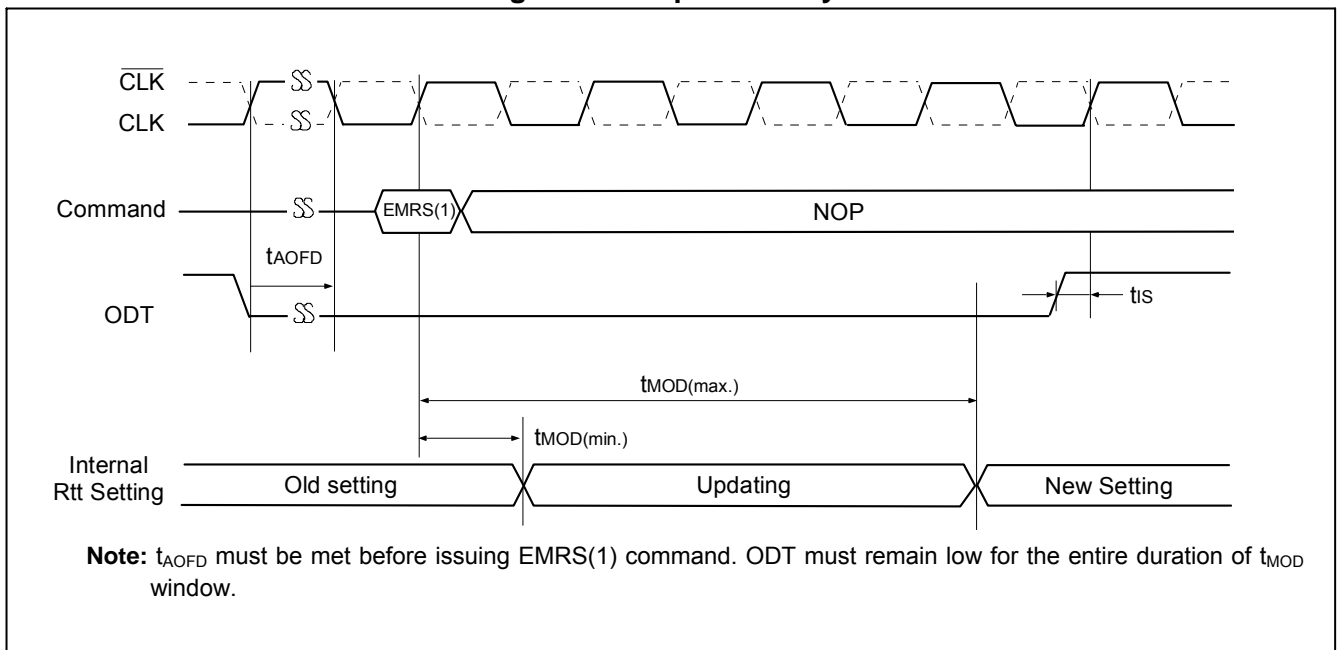
BA1	BA0	Mode Register
0	0	MRS
0	1	EMRS(1)
1	0	EMRS(2)
1	1	EMRS(3): Reserved

**Note:** EMRS(3) is reserved for future. All bits except BA0 and BA1 are reserved for future use and must be set to 0 when setting to mode register during initialization.

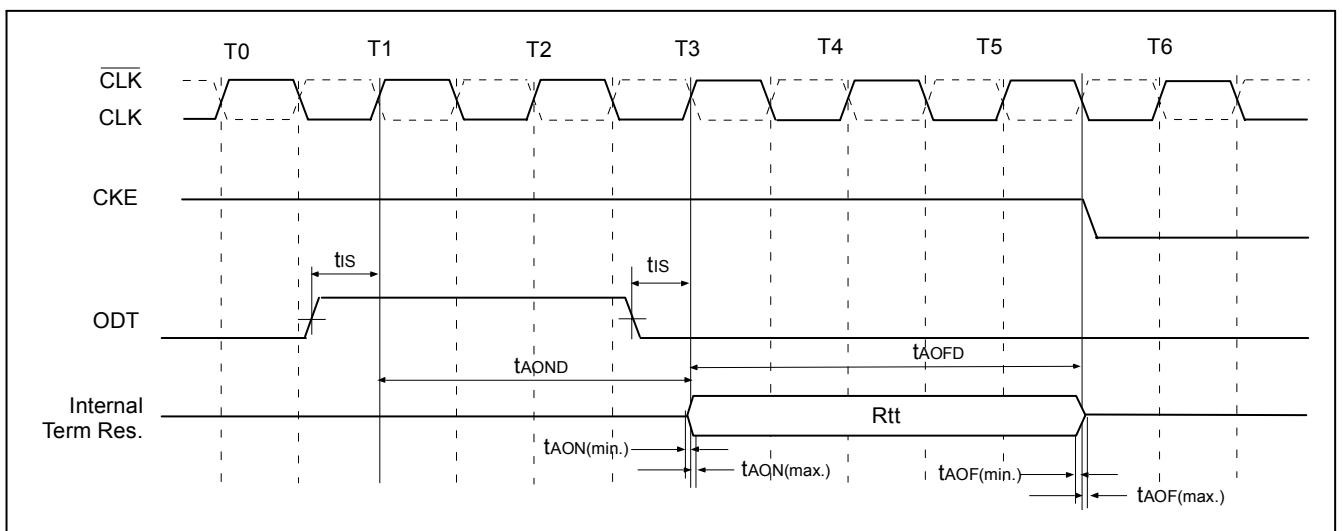
**ODT (On Die Termination)**

On Die Termination (ODT) is a feature that allows a DDR2 SDRAM to turn on/off termination resistance for each DQ, all DQS/ $\overline{\text{DQS}}$ , and all DM signals via the ODT control pin. The ODT feature is designed to improve signal integrity of the memory channel by allowing the DRAM controller to independently turn on/off termination resistance for any or all devices. The ODT function is supported for Active and Standby modes. ODT is turned off and not supported in Self Refresh mode.

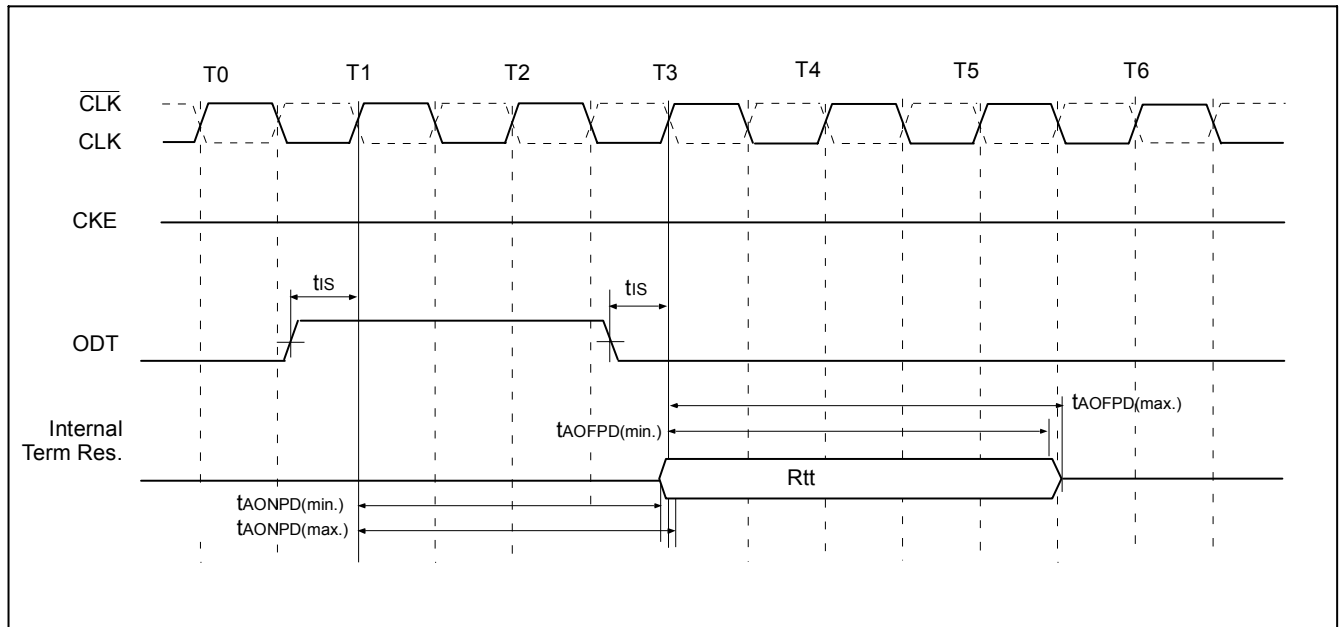
**Timing for ODT Update Delay**



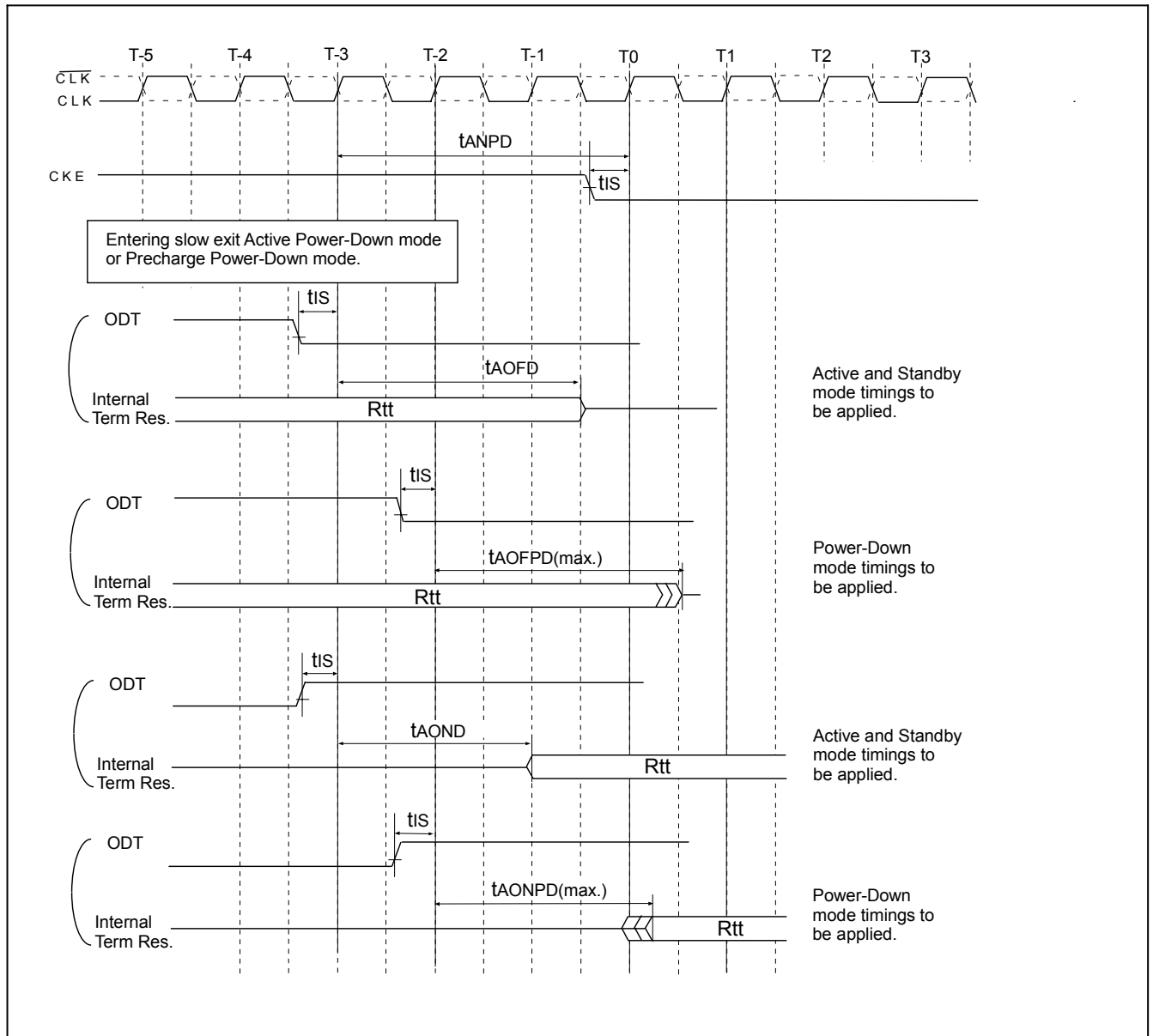
**ODT Timing for Active and Standby Mode**



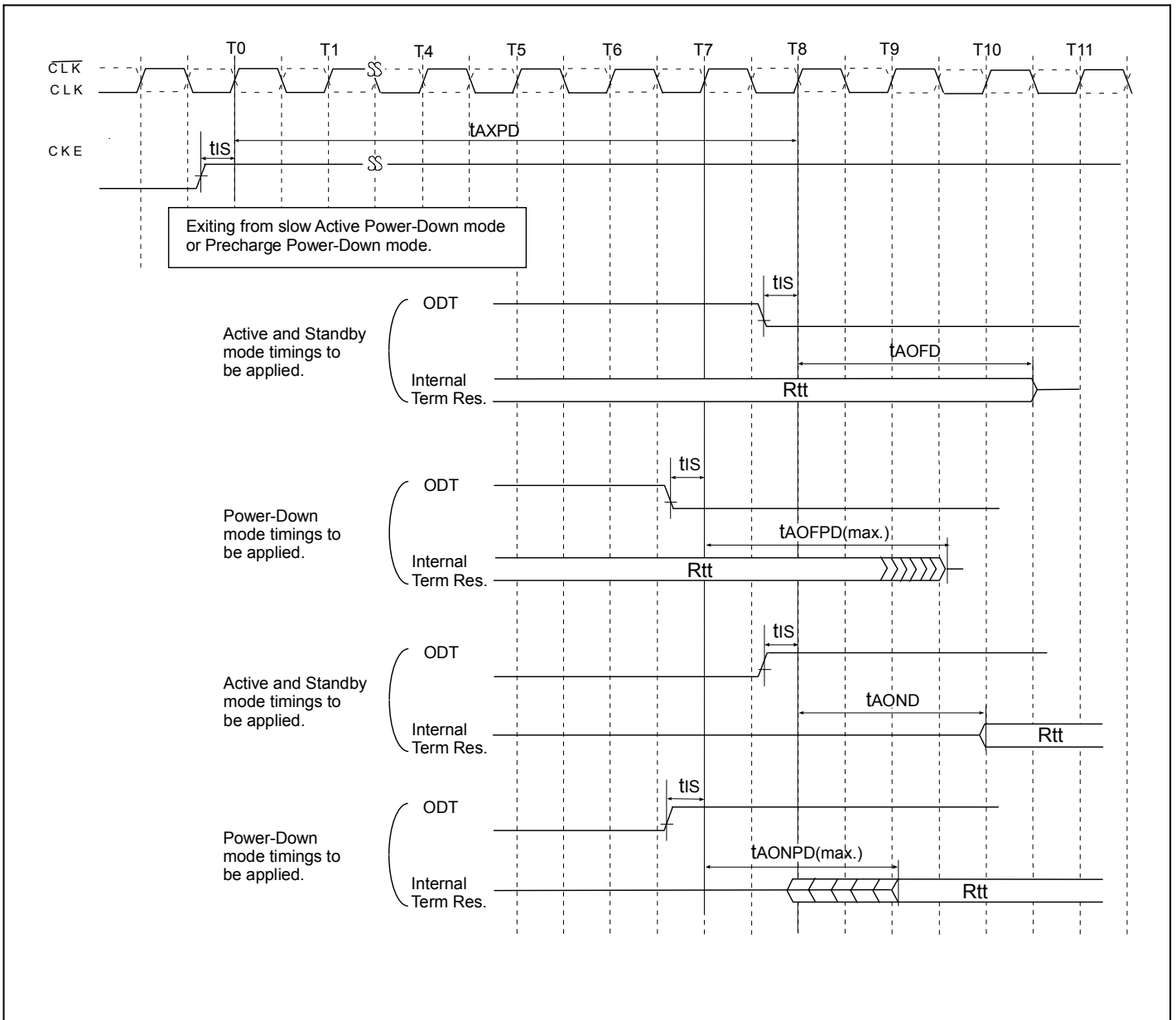
ODT Timing for Power-Down Mode



**ODT Timing Mode Switch at Entering Power-Down Mode**



ODT Timing Mode Switch at Exiting Power-Down Mode



**Precharge**

The Precharge command is used to precharge or close a bank that has activated. The command is issued when  $\overline{CS}$ ,  $\overline{RAS}$  and  $\overline{WE}$  are LOW and  $\overline{CAS}$  is HIGH at the rising edge of the clock. The Precharge command can be used to precharge each bank respectively or all banks simultaneously. The bank select addresses (BA0, BA1) and A10 are used to define which bank is precharged when the command is initiated. For write cycle,  $t_{WR}(\text{min.})$  must be satisfied until the Precharge command can be issued. After  $t_{RP}$  from the precharge, a Bank Active command to the same bank can be initiated.

**Bank Selection for Precharge by Address bits**

A10/AP	BA1	BA0	Precharge
0	0	0	Bank A Only
0	1	0	Bank B Only
0	0	1	Bank C Only
0	1	1	Bank D Only
1	X	X	All Banks

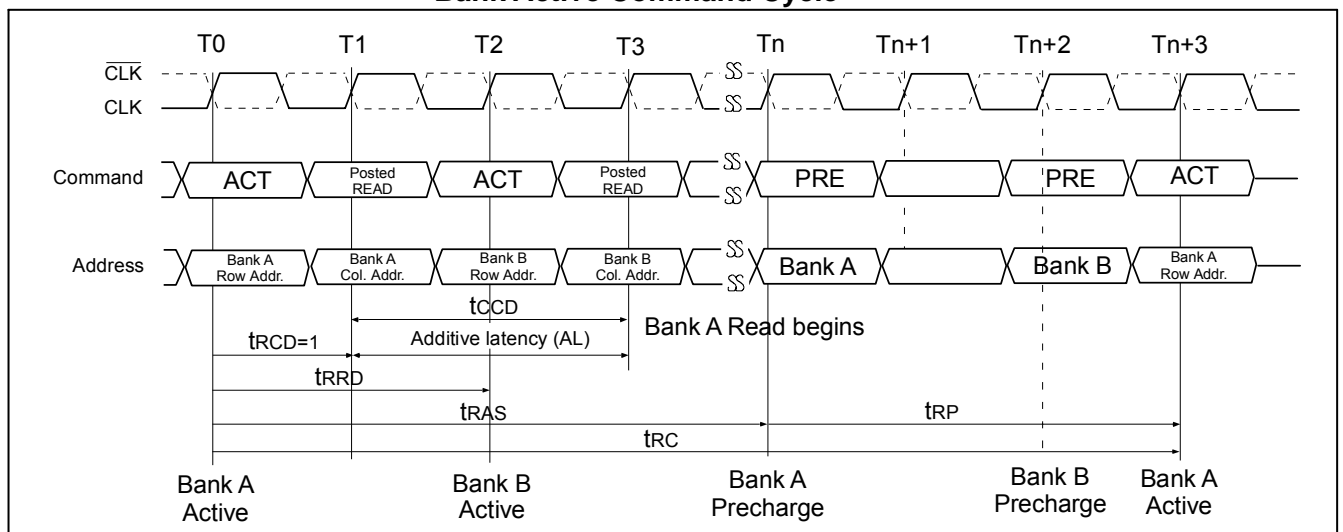
**NOP & Device Deselect**

The device should be deselected by deactivating the  $\overline{CS}$  signal. In this mode, DDR2 SDRAM would ignore all the control inputs. The DDR2 SDRAM are put in NOP mode when  $\overline{CS}$  is active and by deactivating  $\overline{RAS}$ ,  $\overline{CAS}$  and  $\overline{WE}$ . For both Deselect and NOP, the device should finish the current operation when this command is issued.

**Bank Active**

The Bank Active command is issued by holding  $\overline{CAS}$  and  $\overline{WE}$  HIGH with  $\overline{CS}$  and  $\overline{RAS}$  LOW at the rising edge of the clock (CLK). The DDR2 SDRAM has four independent banks, so two Bank Select addresses (BA0, BA1) are required. The Bank Active command to the first Read or Write command must meet or exceed the minimum of  $\overline{RAS}$  to  $\overline{CAS}$  delay time ( $t_{RCD}(\text{min.})$ ). Once a bank has been activated, it must be precharged before another Bank Active command can be applied to the same bank. The minimum time interval between interleaved Bank Active command (Bank A to Bank B and vice versa) is the Bank to Bank delay time ( $t_{RRD} \text{ min.}$ ).

**Bank Active Command Cycle**



### Read Bank

This command is used after the Bank Active command to initiate the burst read of data. The Read command is initiated by activating  $\overline{CS}$ ,  $\overline{CAS}$ , and deasserting  $\overline{WE}$  at the same clock sampling (rising) edge as described in the command truth table. The length of the burst and the  $\overline{CAS}$  latency time will be determined by the values programmed during the MRS command.

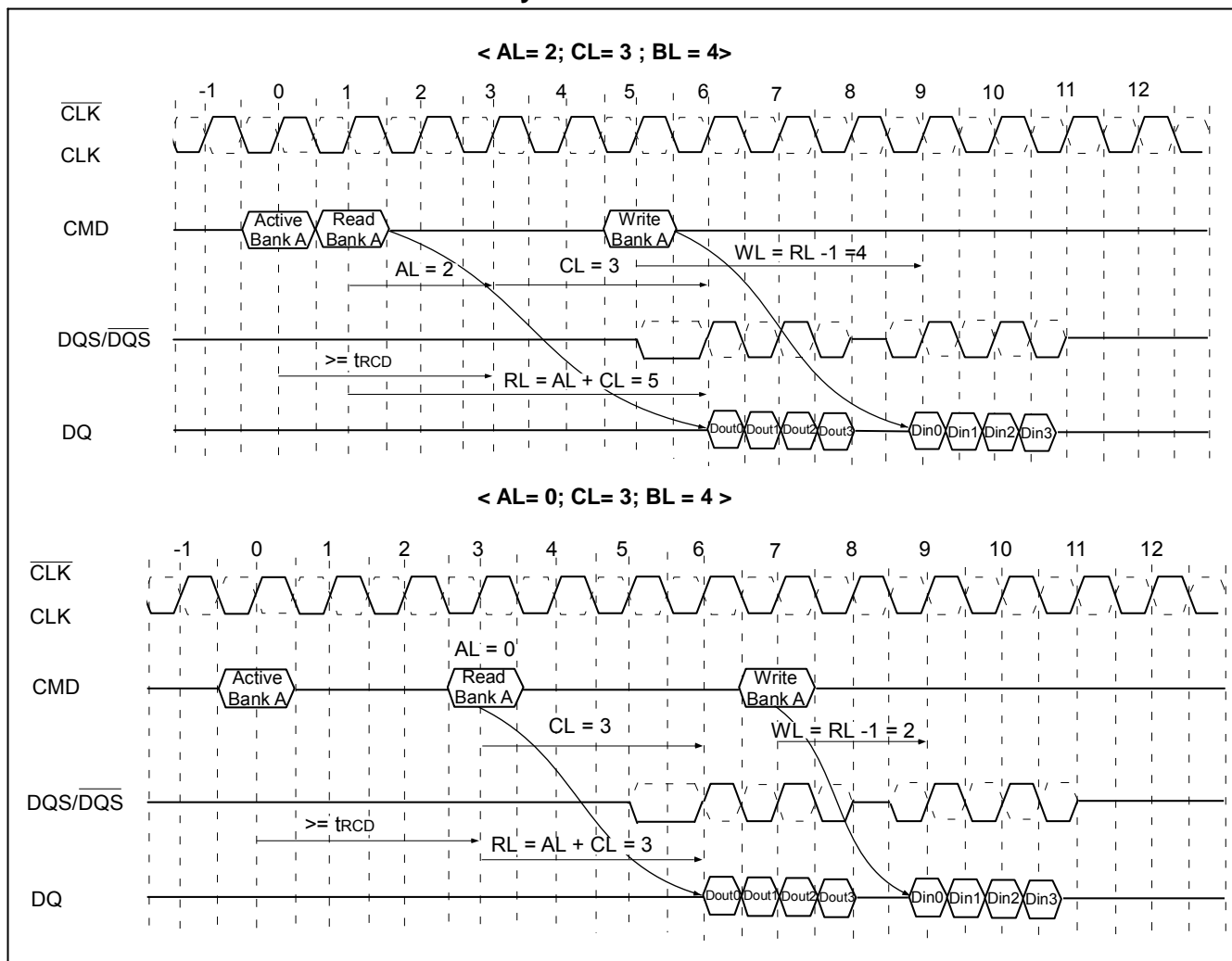
### Write Bank

This command is used after the Bank Active command to initiate the burst write of data. The Write command is initiated by activating  $\overline{CS}$ ,  $\overline{CAS}$ , and  $\overline{WE}$  at the same clock sampling (rising) edge as describe in the command truth table. The length of the burst will be determined by the values programmed during the MRS command.

### Posted $\overline{CAS}$

Posted  $\overline{CAS}$  operation is supported to make command and data bus efficient for sustainable bandwidths in DDR2 SDRAM. In this operation, the DDR2 SDRAM allows a Read or Write command to be issued immediately after the Bank Active command (or any time during the  $t_{RRD}$  period). The command is held for the time of the Additive Latency (AL) before it is issued inside the device. The Read Latency (RL) is controlled by the sum of AL and the  $\overline{CAS}$  latency (CL). Therefore if a user chooses to issue a R/W command before the  $t_{RCD}(\min)$ , then AL (greater than 0) must be written into the EMRS(1). The Write Latency (WL) is always defined as  $RL - 1$  (read latency - 1) where read latency is defined as the sum of additive latency plus  $\overline{CAS}$  latency ( $RL=AL+CL$ ). Read or Write operations using AL allow seamless bursts.

Read followed by a Write to the Same Bank



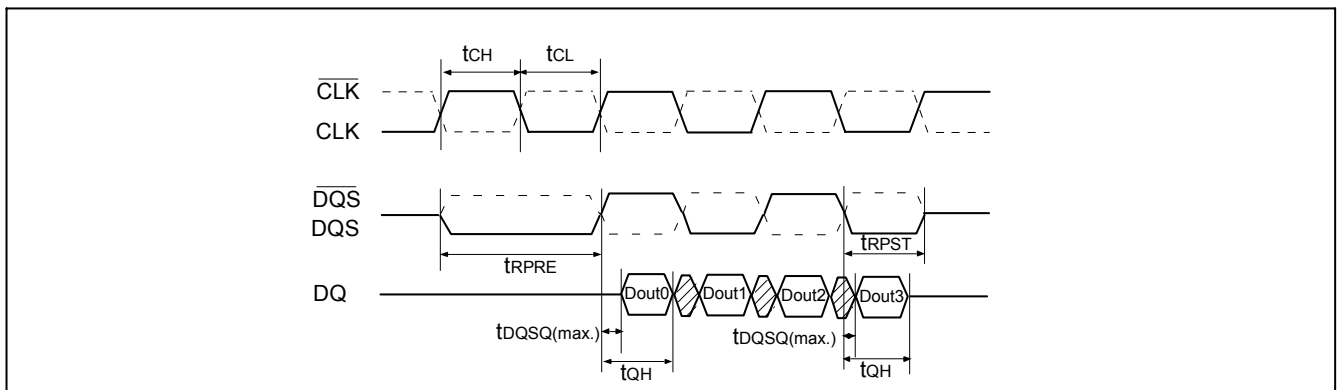
**Essential Functionality for DDR2 SDRAM**

**Burst Read Operation**

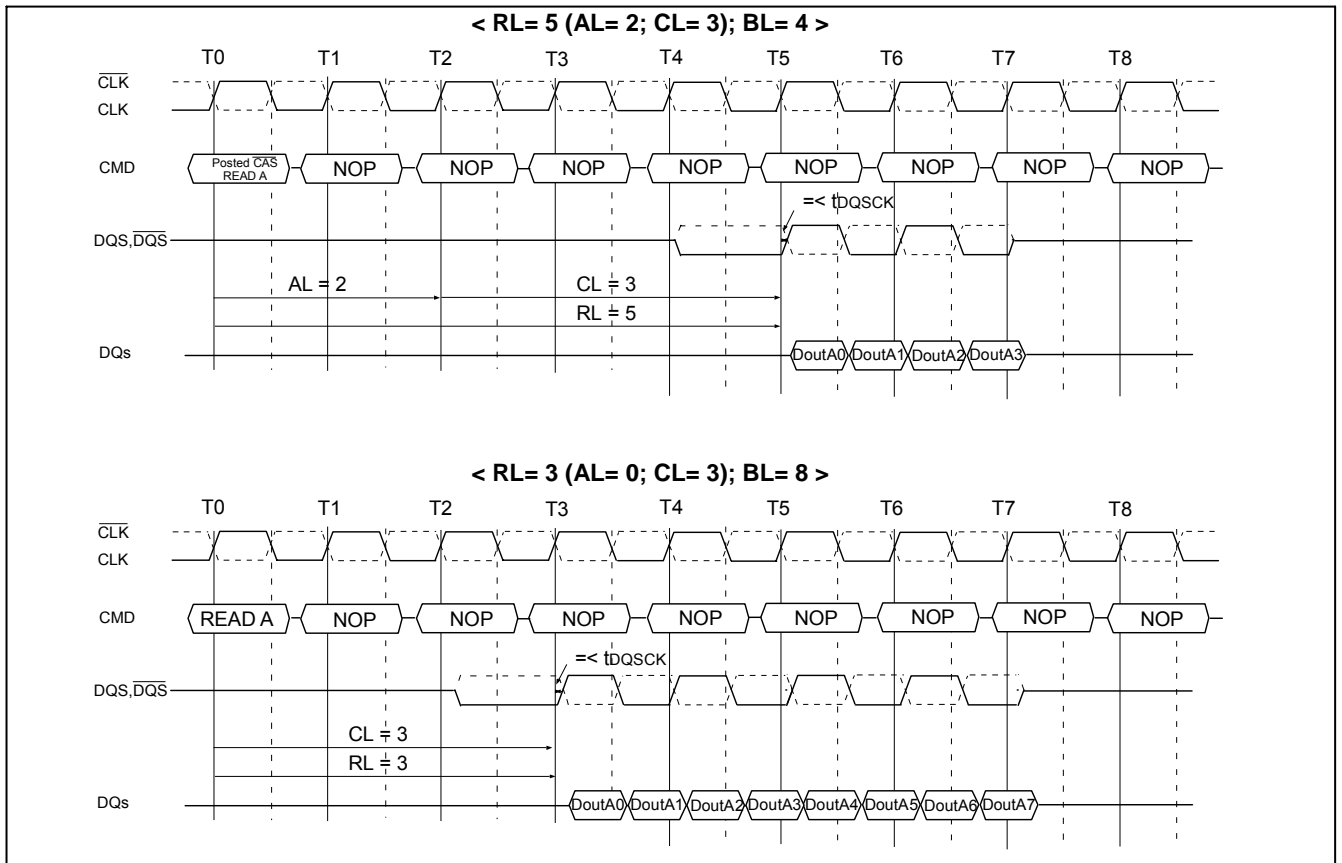
The Burst Read command is initiated by having  $\overline{CS}$  and  $\overline{CAS}$  LOW while holding  $\overline{RAS}$  and  $\overline{WE}$  HIGH at the rising edge of the clock. The address inputs determine the starting column address for the burst. The delay from the start of the command to when the data from the first cell appears on the outputs is equal to the value of the read latency (RL). The DQS is driven LOW 1 clock cycle before valid data (DQ) is driven onto the data bus. The first bit of the burst is synchronized with the rising edge of DQS. Each subsequent data-out appears on the DQ pin in phase with the DQS signal in a source synchronous manner.

The RL is equal to an additive latency (AL) plus  $\overline{CAS}$  latency (CL). The CL is defined by the MRS and the AL is defined by the EMRS(1).

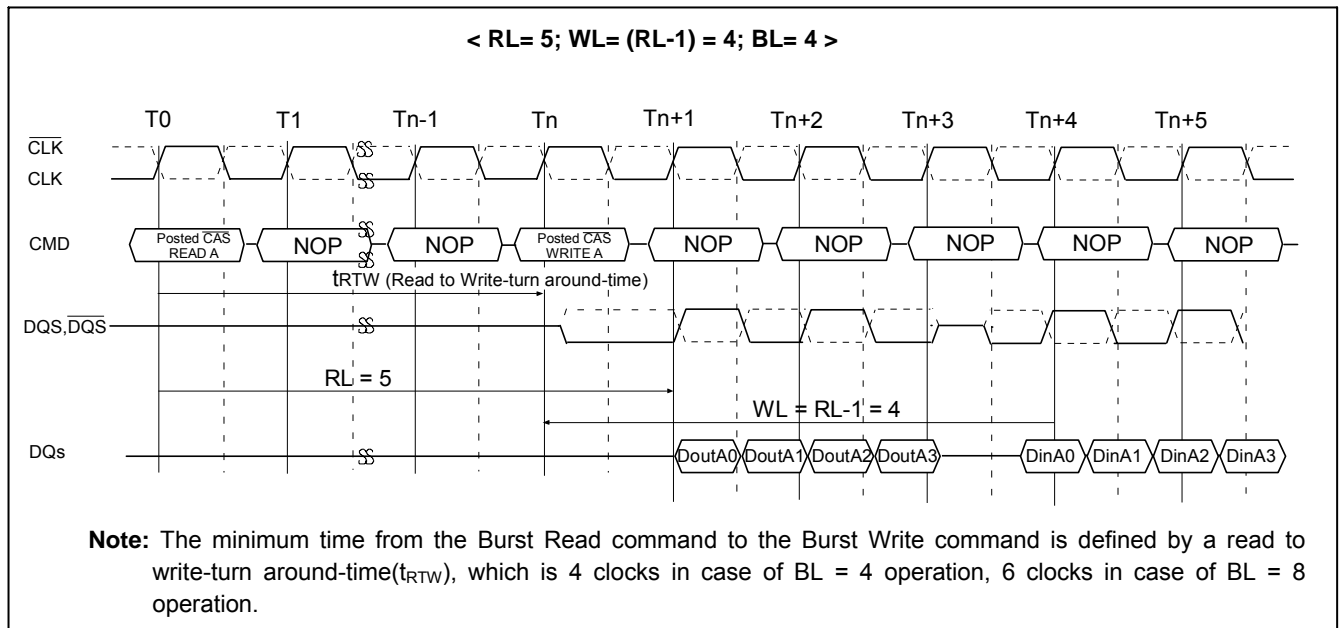
**Read (Data Output) Timing**



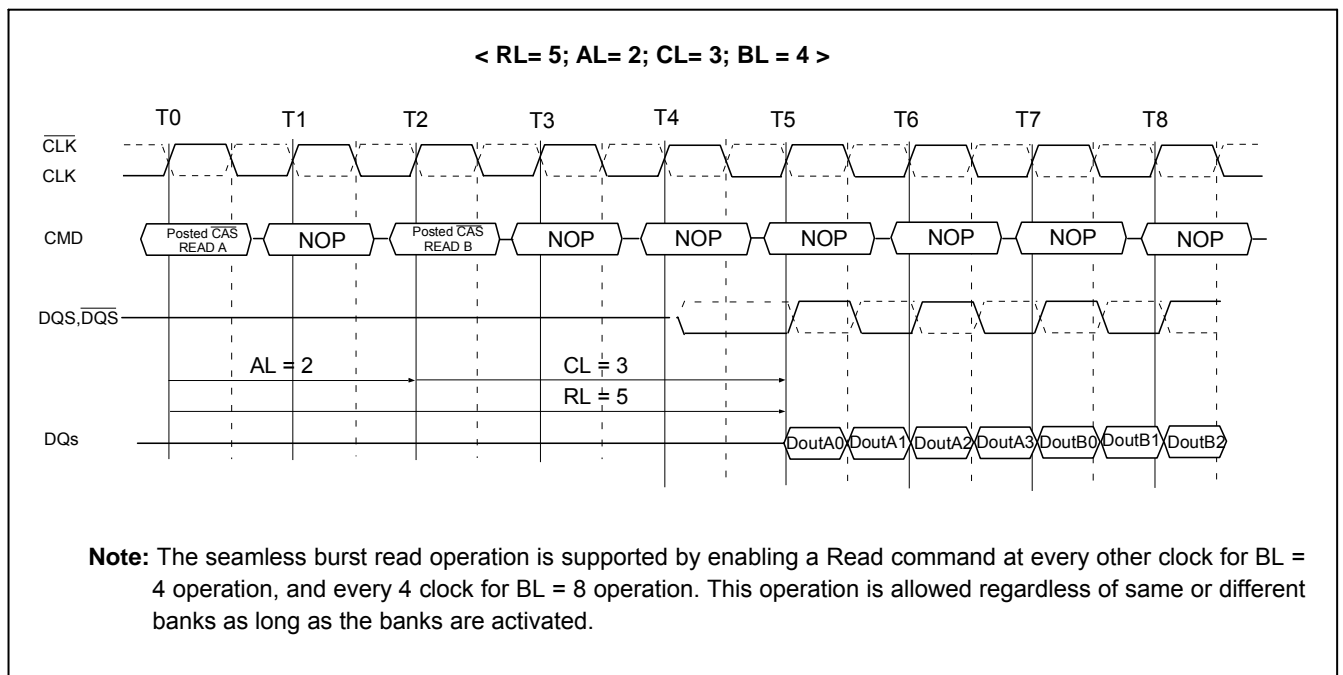
**Burst Read**



**Burst Read followed by Burst Write**



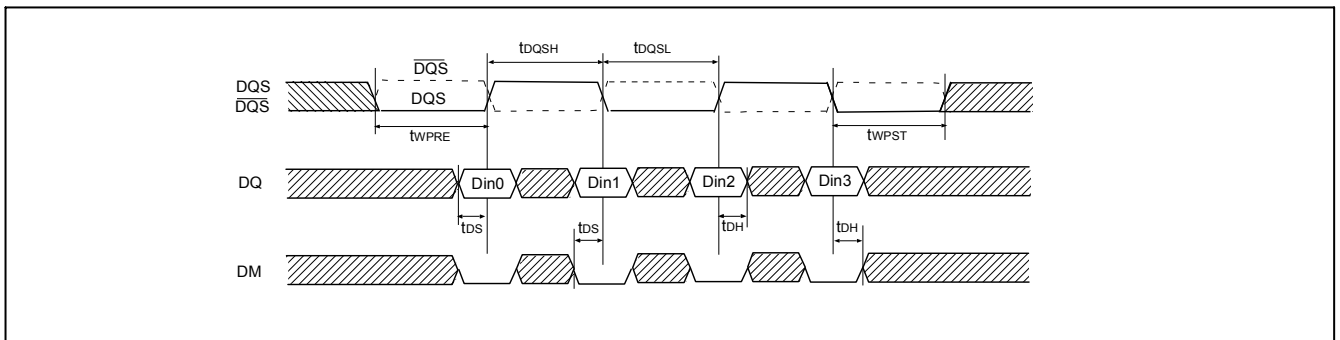
**Seamless Burst Read**



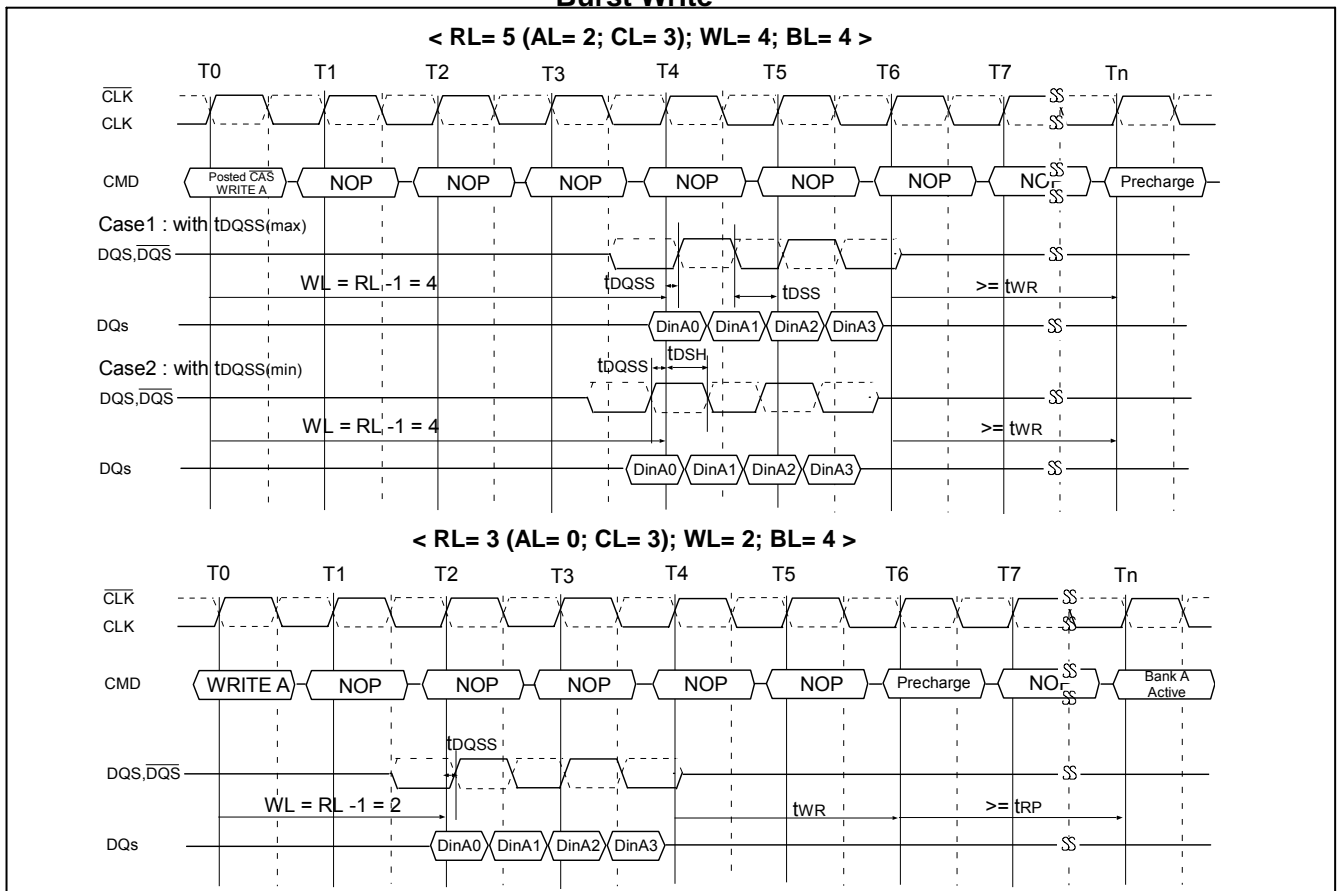
**Burst Write Operation**

The Burst Write command is issued by having  $\overline{CS}$ ,  $\overline{CAS}$  and  $\overline{WE}$  LOW while holding  $\overline{RAS}$  HIGH at the rising edge of the clock (CLK). The address inputs determine the starting column address. Write latency (WL) is defined by a read latency (RL) minus one and is equal to  $(AL + CL - 1)$ ; and is the number of clocks of delay that are required from the time the write command is registered to the clock edge associated to the first DQS strobe. A data strobe signal (DQS) should be driven low (preamble) one clock prior to the WL. The first data bit of the burst cycle must be applied to the DQ pins at the first rising edge of the DQS following the preamble. The  $t_{DQSS}$  specification must be satisfied for each positive DQS transition to its associated clock edge during write cycles. The subsequent burst bit data are issued on successive edges of the DQS until the burst length is completed, which is 4 or 8 bit burst. When the burst has finished, any additional data supplied to the DQ pins will be ignored. The DQ signal is ignored after the burst write operation is complete. The time from the completion of the burst write to bank precharge is the write recovery time ( $t_{WR}$ ).

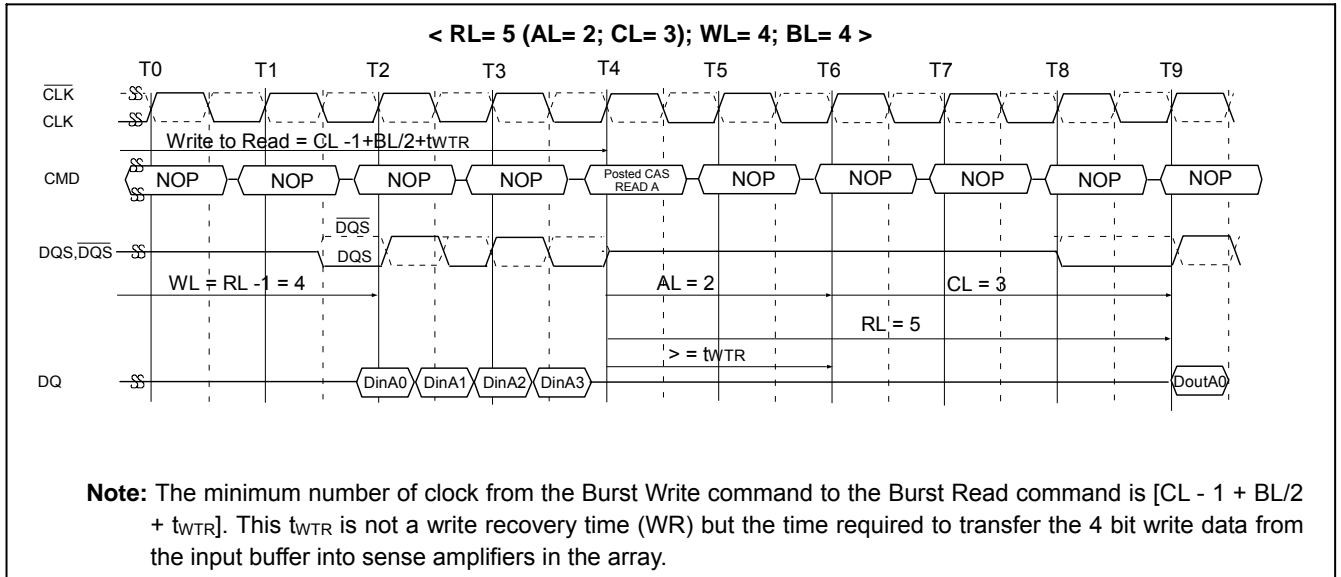
**Write (Data Input) Timing**



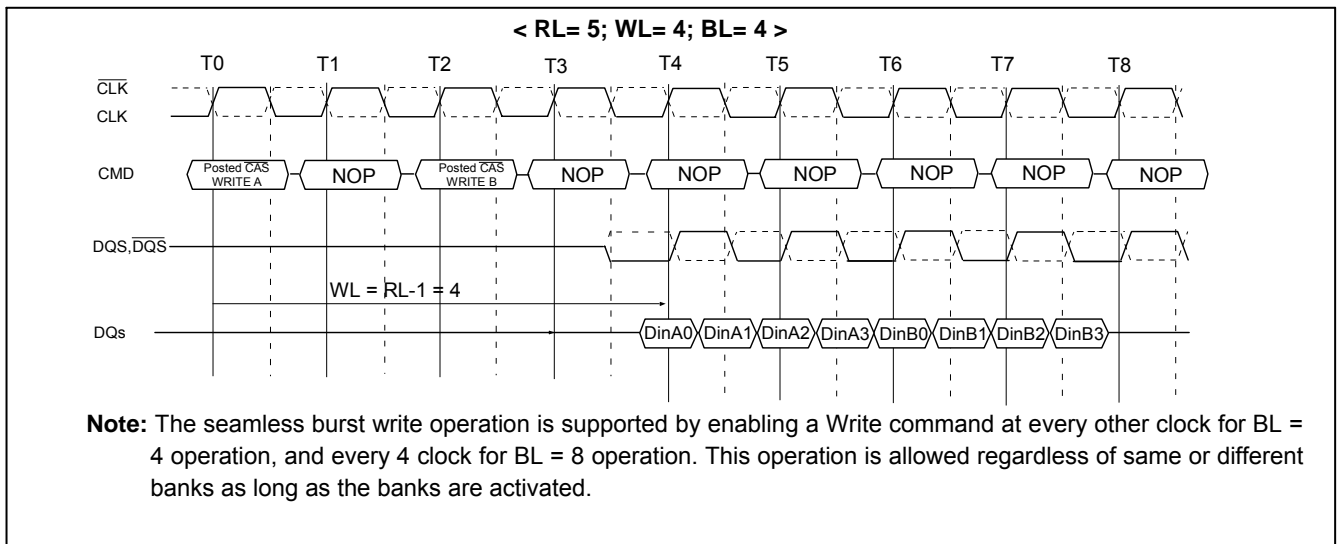
**Burst Write**



**Burst Write followed by Burst Read**

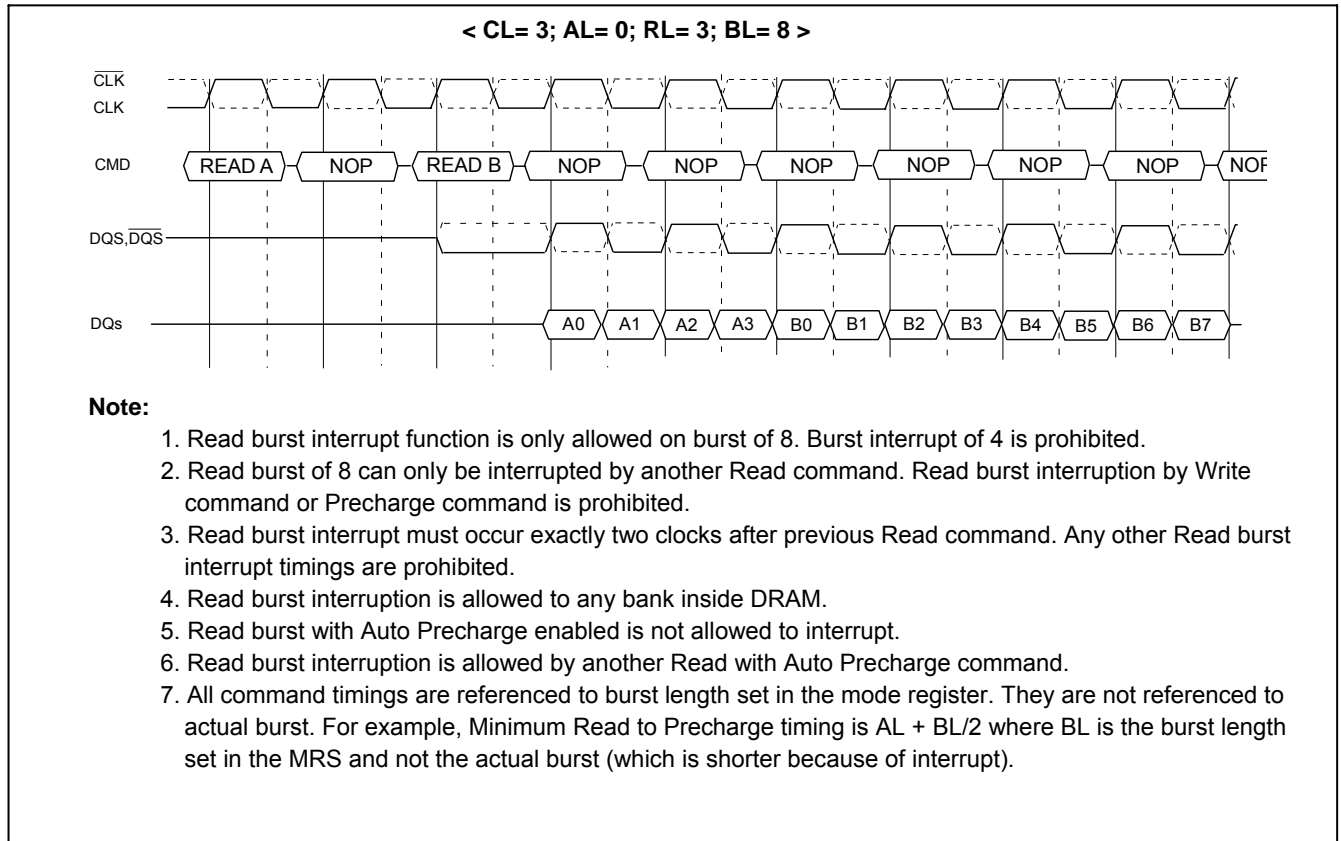


**Seamless Burst Write**



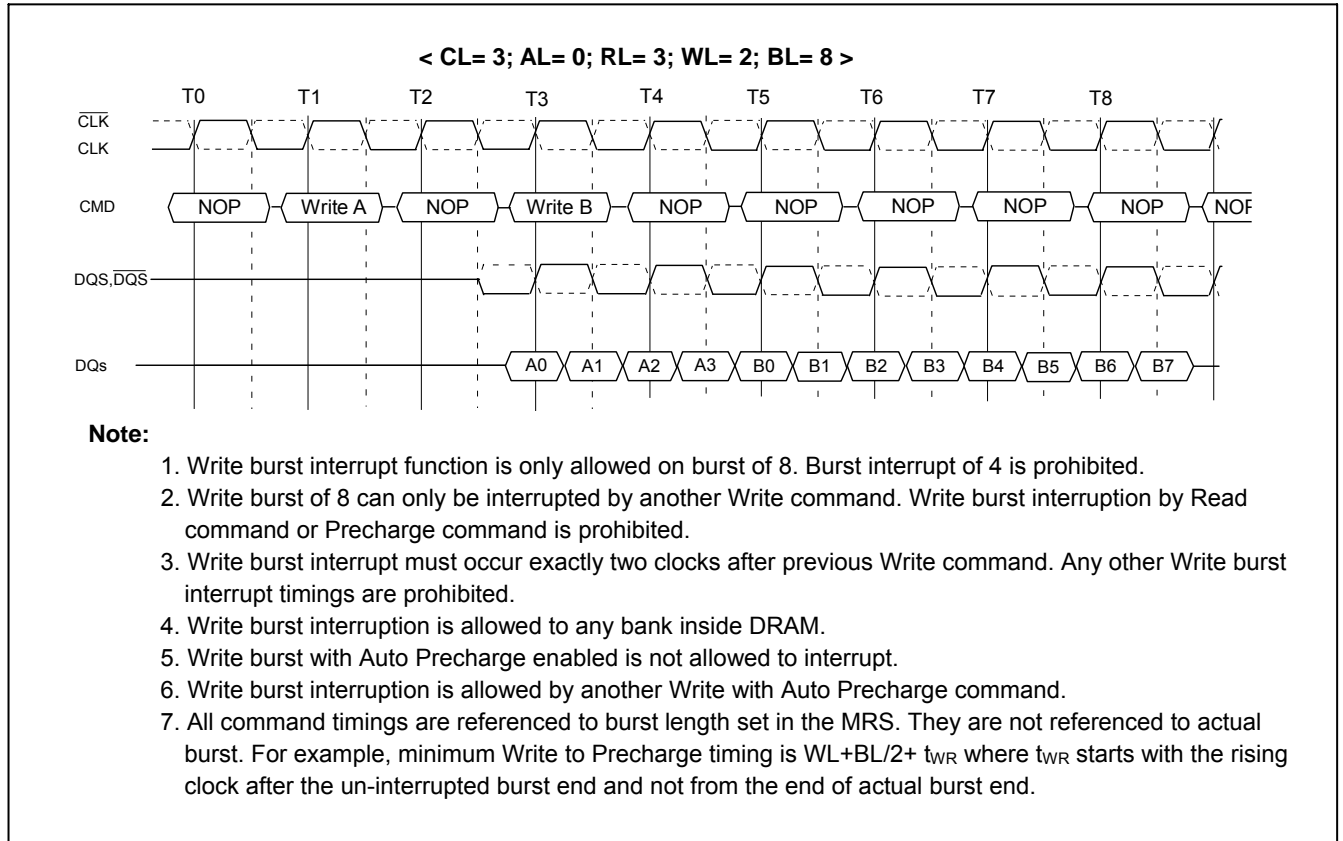
## Read Interrupted by a Read

Burst Read can only be interrupted by another read with 4 bit burst boundary. Any other case of read interrupt is not allowed.



## Write Interrupted by a Write

Burst Write can only be interrupted by another Write with 4 bit burst boundary. Any other case of Write interrupt is not allowed.

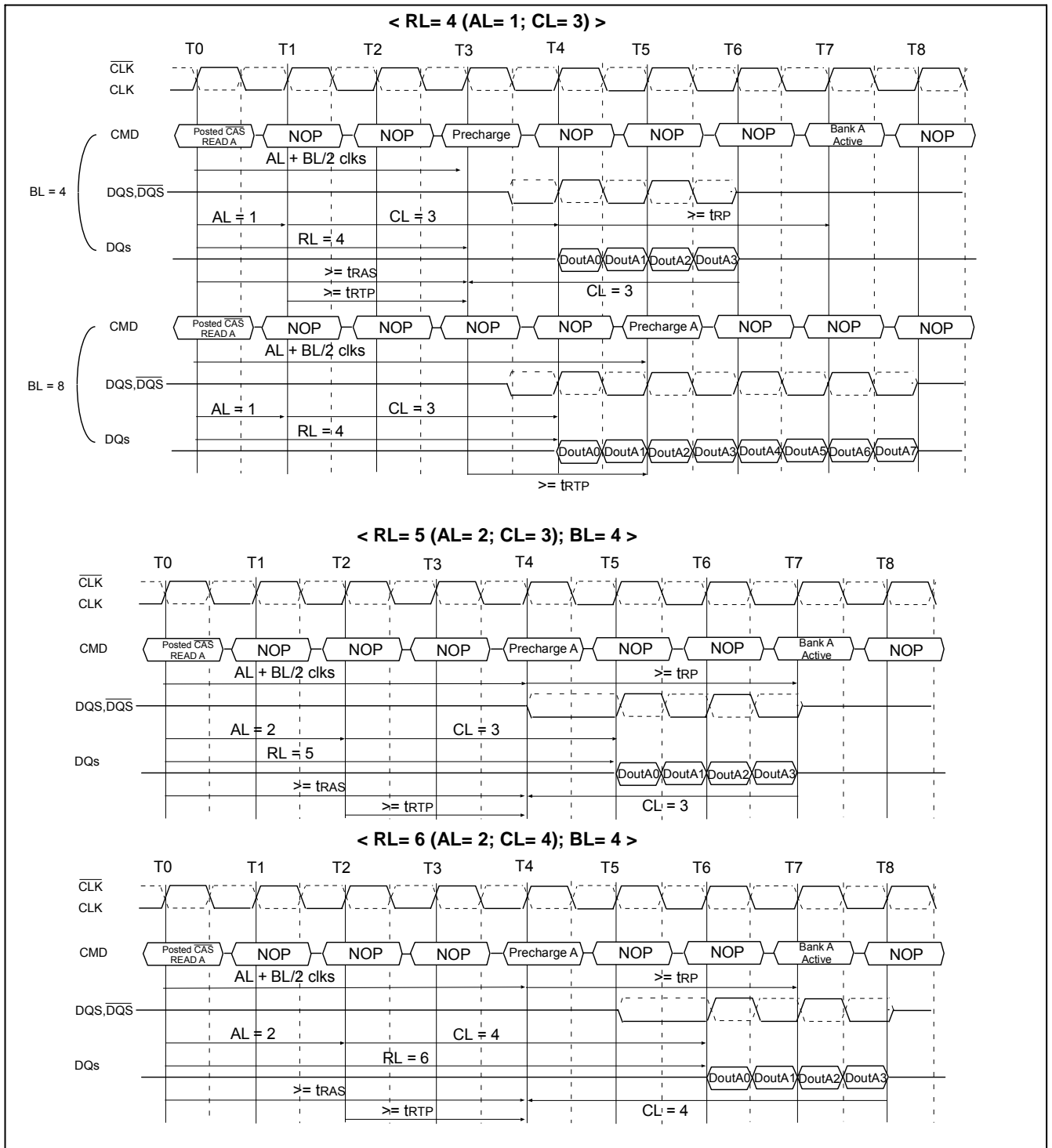


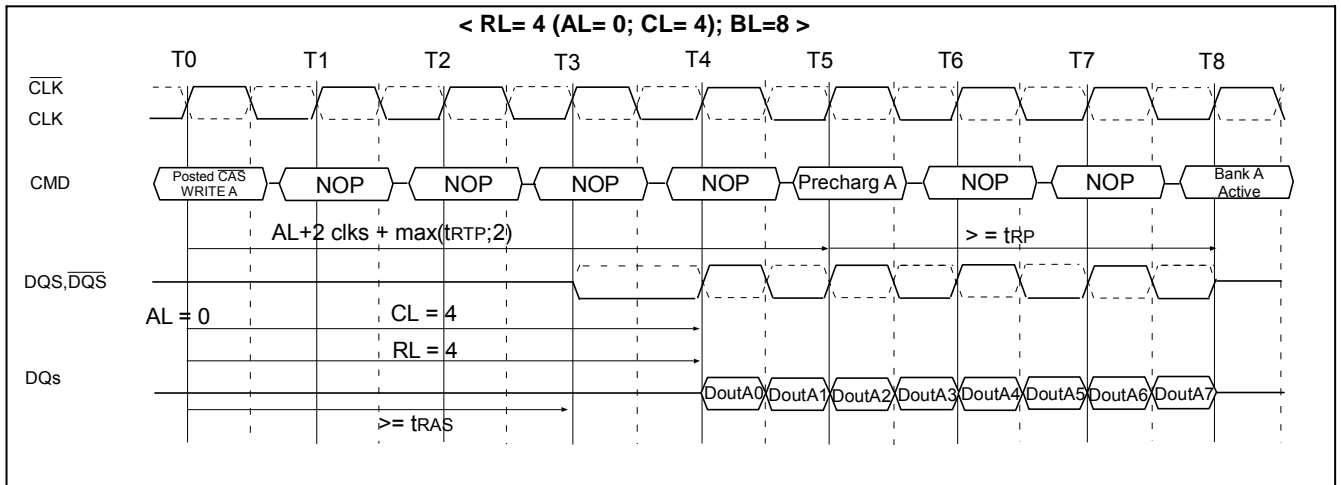
**Burst Read Followed by Precharge**

Minimum Read to Precharge command spacing to the same bank =  $AL + BL/2 + \max(t_{RTP}, 2) - 2$  clocks.

For the earliest possible Precharge, the Precharge command may be issued on the rising edge which is “Additive latency (AL) + BL/2 clocks” after a Read command. A new Bank Active command may be issued to the same bank after the Precharge time ( $t_{RP}$ ). A Precharge command cannot be issued until  $t_{RAS}$  is satisfied.

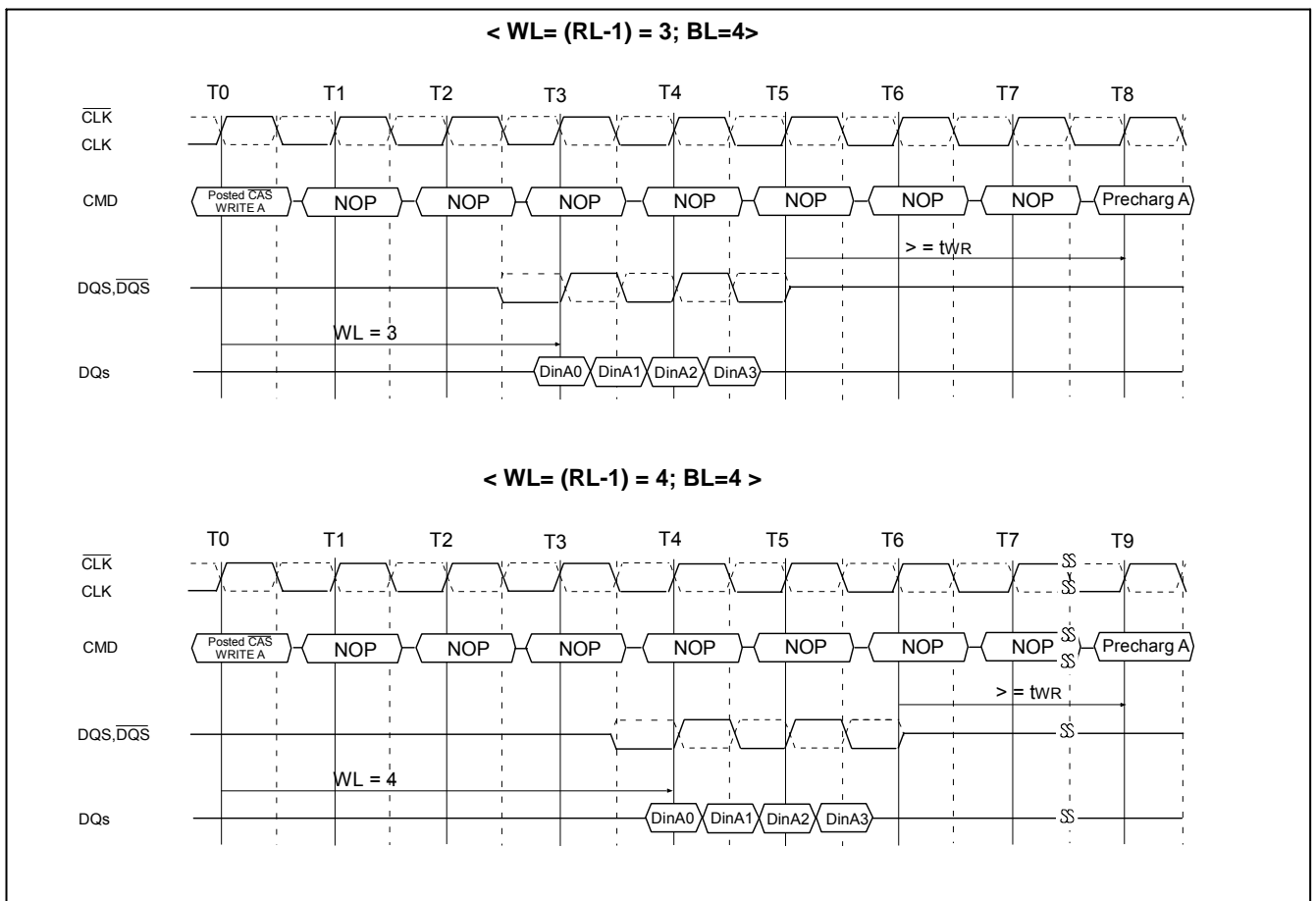
The minimum Read to Precharge spacing has also to satisfy a minimum analog time from the rising clock edge that initiates the last 4-bit prefetch of a Read to Precharge command. This time is called  $t_{RTP}$  (Read to Precharge). For BL = 4, this is the time from the actual read (AL after the Read command) to Precharge command. For BL = 8, this is the time from AL + 2 clocks after the Read to the Precharge command.





**Burst Write Followed by Precharge**

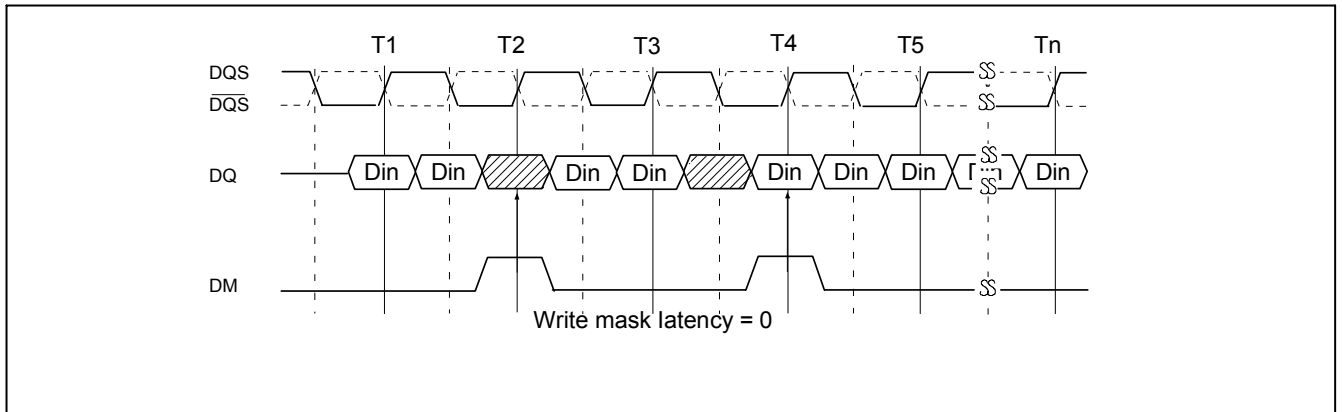
Minimum Write to Precharge command spacing to the same bank =  $WL + BL/2$  clocks +  $t_{WR}$ .  
 For write cycles, a delay must be satisfied from the completion of the last burst write cycle until the Precharge command can be issued. This delay is known as a write recovery time ( $t_{WR}$ ) referenced from the completion of the Burst Write to the Precharge command. No Precharge command should be issued prior to the  $t_{WR}$  delay.



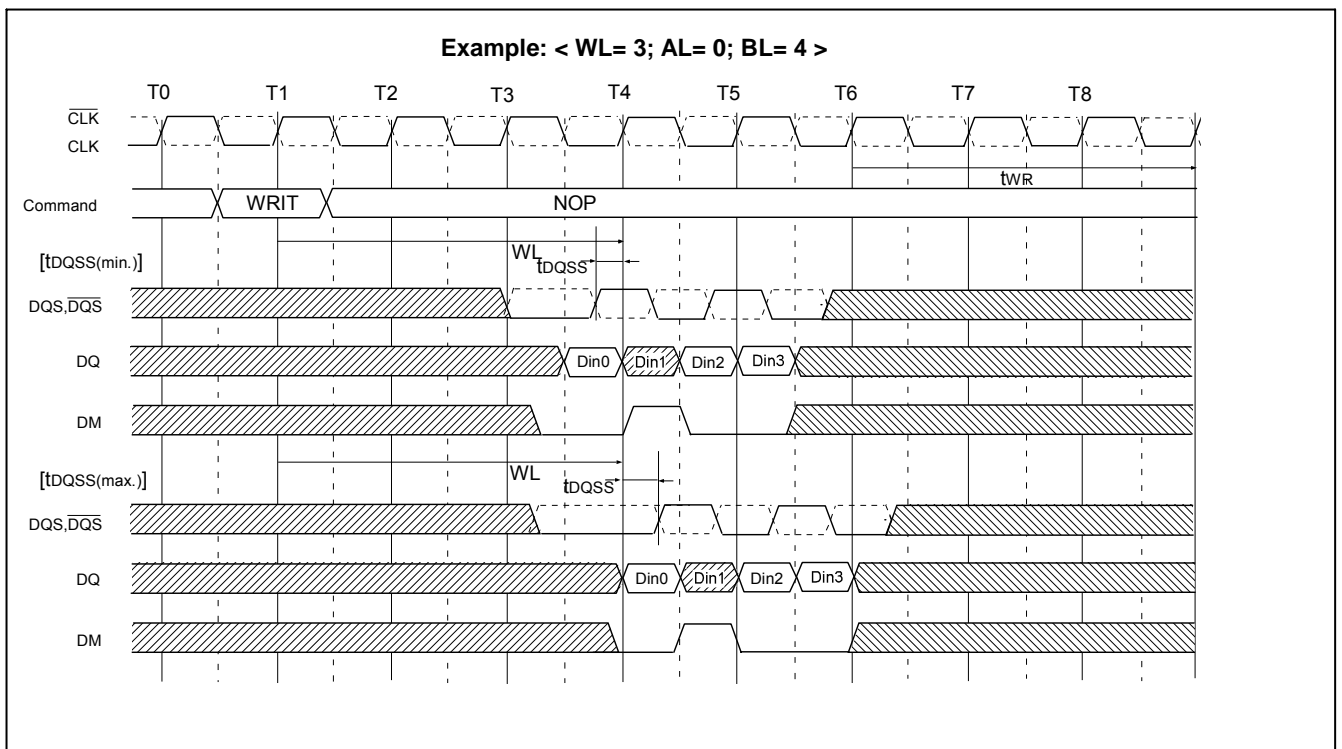
**Write data mask by DM**

One write data mask (DM) pin for each 8 data bits (DQ) will be supported on DDR2 SDRAM, Consistent with the implementation on DDR2 SDRAM. It has identical timings on write operations as the data bits, and though used in a uni-directional manner, is internally loaded identically to data bits to insure matched system timing. DM is not used during read cycles.

**Data Mask Timing**



**Example: < WL= 3; AL= 0; BL= 4 >**

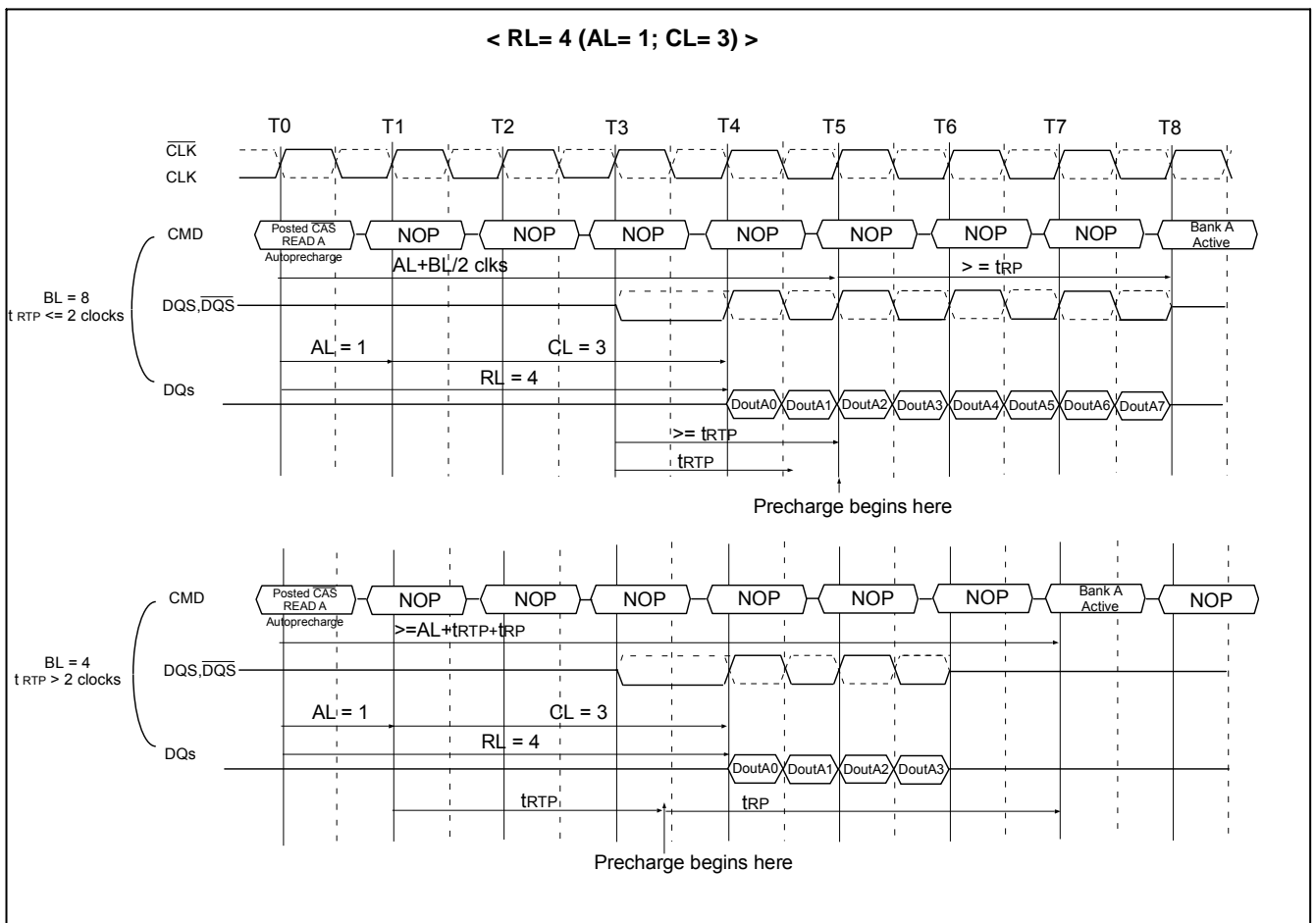


**Read with Auto Precharge**

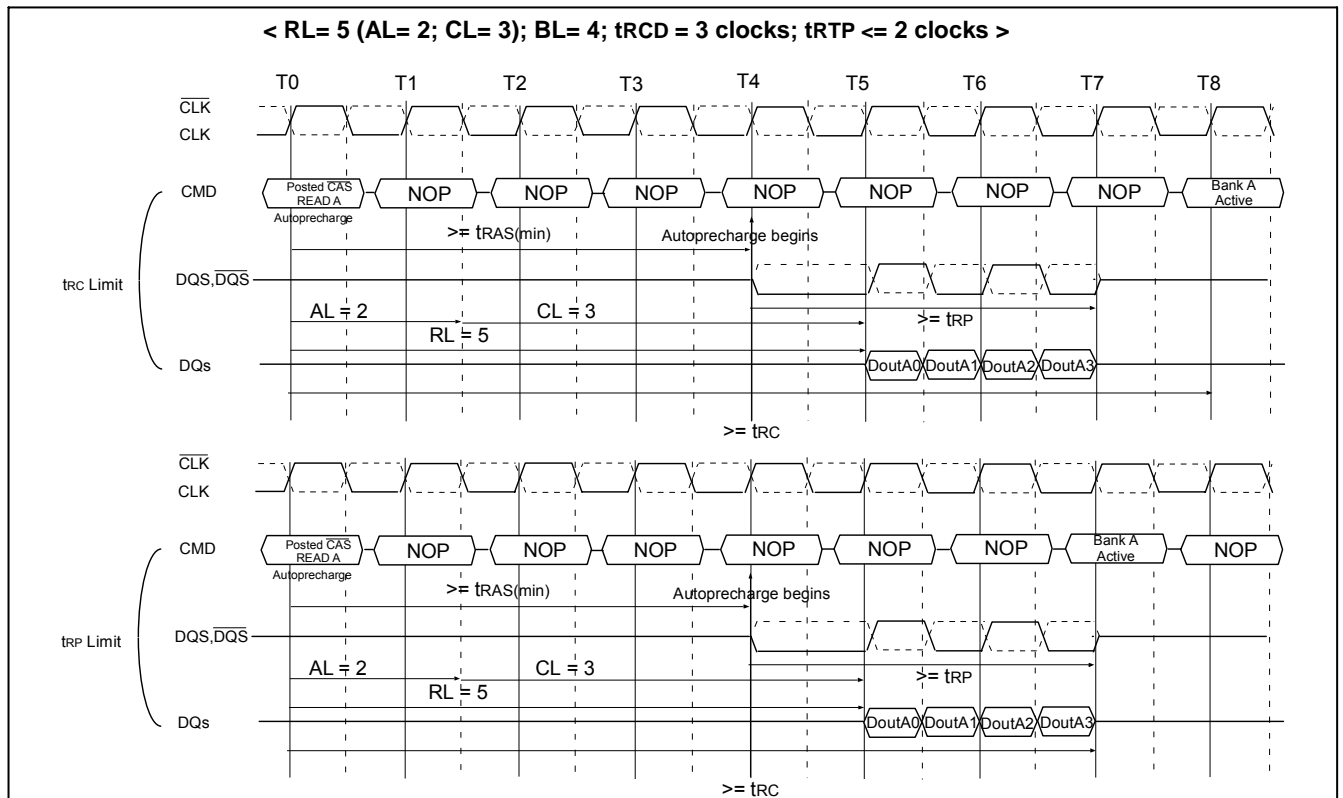
If A10 is HIGH when a Read command is issued, the Read with Auto Precharge function is engaged. The device starts an Auto Precharge operation on the rising edge which is  $(AL + BL/2)$  cycles later than the Read with AP command if  $t_{RAS}$  (min) and  $t_{RTP}$ (min) are satisfied.

If  $t_{RAS}$ (min) is not satisfied at the edge, the start point of Auto Precharge operation will be delayed until  $t_{RAS}$ (min) is satisfied.  
 If  $t_{RTP}$  (min) is not satisfied at the edge, the start point of Auto Precharge operation will be delayed until  $t_{RTP}$  (min) is satisfied.

In case the internal precharge is pushed out by  $t_{RTP}$ ,  $t_{RP}$  starts at the point where the internal precharge happens (not at the next rising clock edge after this event). So for  $BL = 4$ , the minimum time from Read\_AP to the next Bank Active command becomes  $AL + (t_{RTP} + t_{RP})^*$ . For  $BL = 8$ , the time from Read\_AP to the next Bank Active command is  $AL + 2 + (t_{RTP} + t_{RP})^*$ . (Note: “\*” means “rounded up to the next integer”).



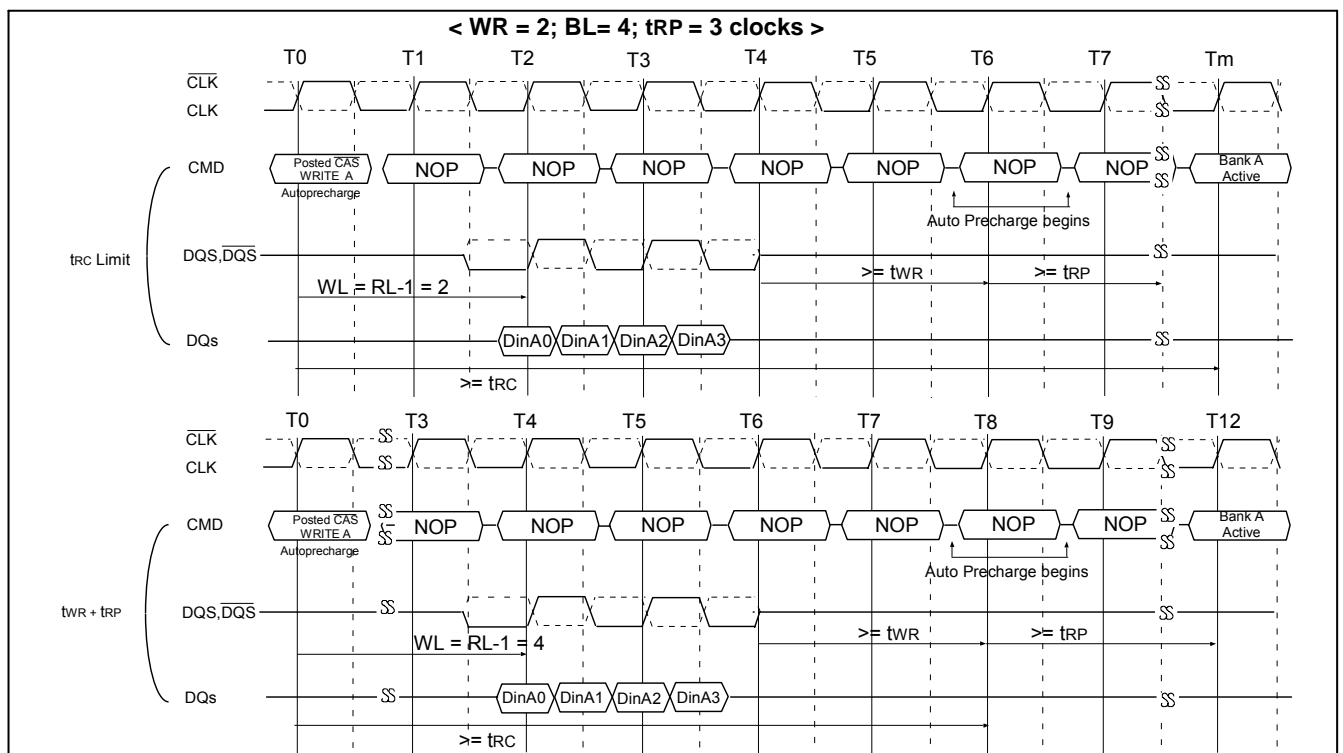
- A new Bank Active command may be issued to the same bank if the following two conditions are satisfied simultaneously.
- (1) The Precharge time ( $t_{RP}$ ) has been satisfied from the clock at which the Auto Precharge begins.
  - (2) The RAS cycle time ( $t_{RC}$ ) from the previous bank activation has been satisfied.



**Write with Auto Precharge**

If A10 is HIGH when a Write command is issued, the Write with Auto Precharge function is engaged. The device automatically begins precharge operation after the completion of the burst write plus write recovery time ( $t_{WR}$ ). The Bank Active command undergoing Auto Precharge from the completion of the write burst may be reactivated if the following two conditions are satisfied.

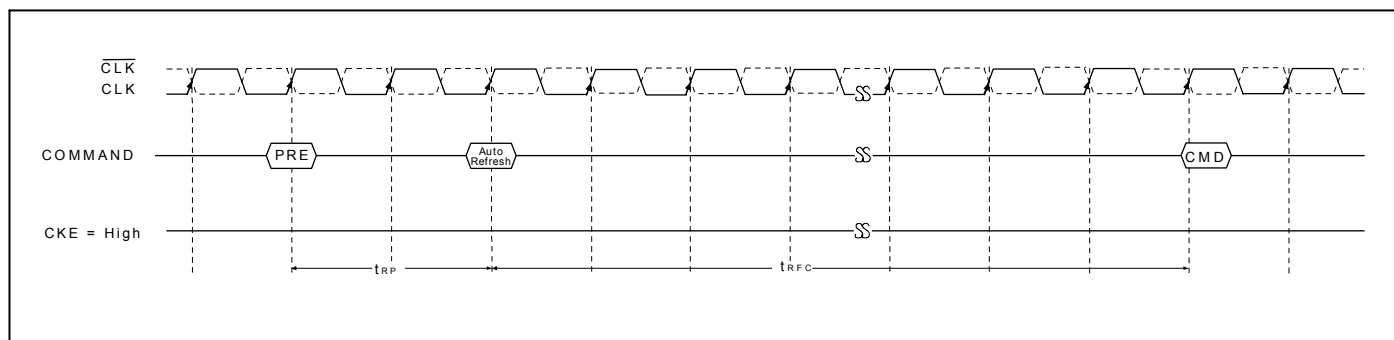
- (1) The data-in to bank activate delay time ( $t_{WR} + t_{RP}$ ) has been satisfied.
- (2) The RAS cycle time ( $t_{RC}$ ) from the previous bank activation has been satisfied.



**Auto Refresh & Self Refresh**

**Auto Refresh**

An Auto Refresh command is issued by having  $\overline{CS}$ ,  $\overline{RAS}$  and  $\overline{CAS}$  held LOW with CKE and  $\overline{WE}$  HIGH at the rising edge of the clock (CLK). All banks must be precharged and idle for  $t_{RP}(\text{min})$  before the Auto Refresh command is applied. An address counter, internal to the device, supplies the bank address during the refresh cycle. No control of the external address bus is required once this cycle has started. When the refresh cycle has completed, all banks will be in the idle state. A delay between the Auto Refresh command and the next Bank Active command or subsequent Auto Refresh command must be greater than or equal to the  $t_{RFC}(\text{min})$ . To allow for improved efficiency in scheduling and switching between tasks, some flexibility in the absolute refresh interval is provided. A maximum of eight Refresh commands can be posted, meaning that the maximum absolute interval between any Refresh command and the next Refresh command is  $9 \times t_{REFI}$ .

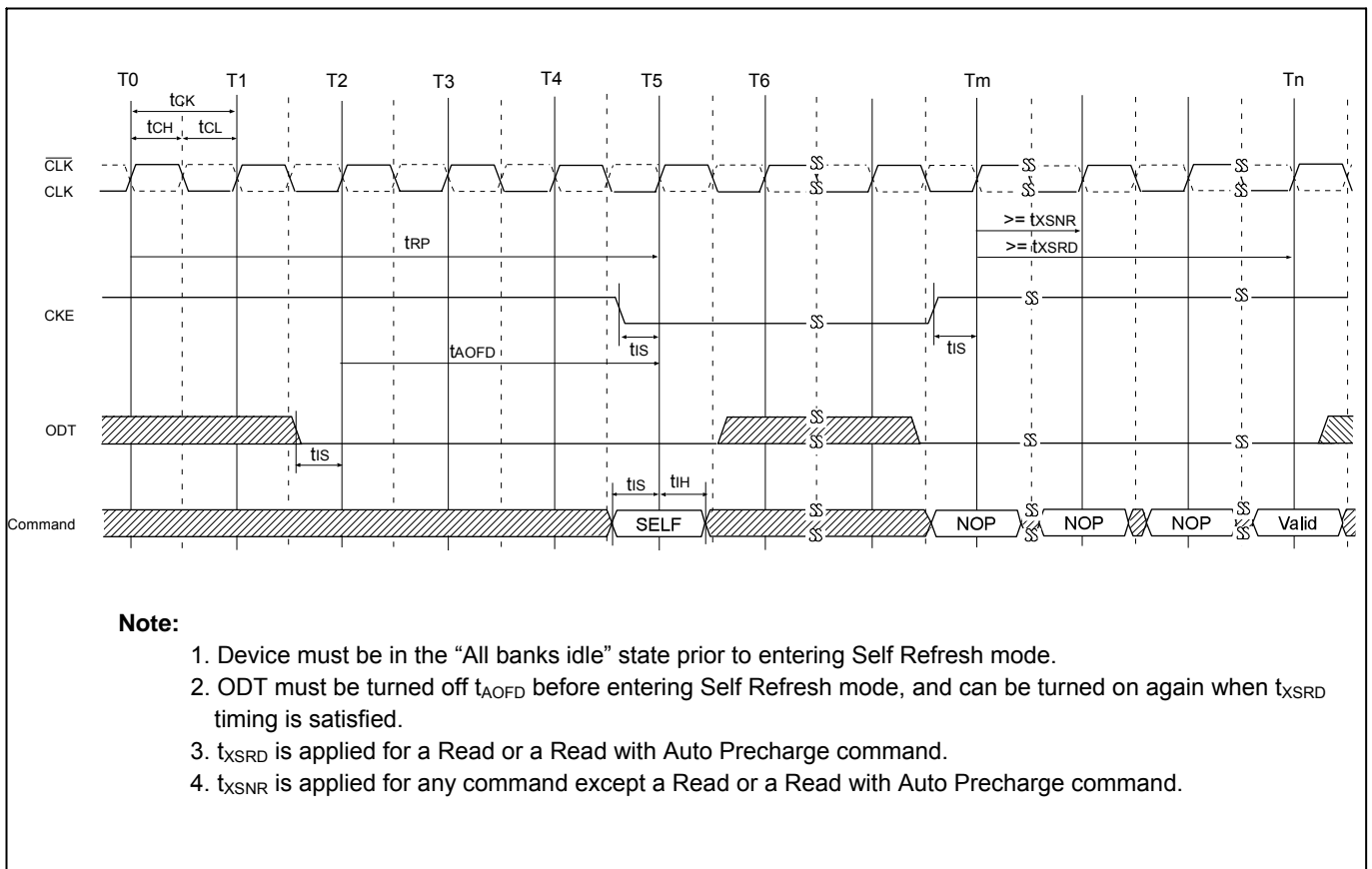


**Self Refresh**

A Self Refresh command is defined by having  $\overline{CS}$ ,  $\overline{RAS}$ ,  $\overline{CAS}$  and CKE held LOW with  $\overline{WE}$  HIGH at the rising edge of the clock (CLK). ODT must be turned off before issuing Self Refresh command, by either driving ODT pin low or using EMRS(1) command. Once the command is registered, CKE must be held LOW to keep the device in Self Refresh mode. The DLL is automatically disabled upon entering Self Refresh and is automatically enabled upon exiting Self Refresh. When the device has entered Self Refresh mode, all of the external signals except CKE, are “don’t care”.

For proper Self Refresh operation all power supply pins ( $V_{DD}$ ,  $V_{DDQ}$ ,  $V_{DDL}$  and  $V_{REF}$ ) must be at valid levels. The device initiates a minimum of one refresh command internally within  $t_{CKE}$  period once it enters Self Refresh mode. The clock is internally disabled during Self Refresh operation to save power. Self Refresh mode must be remained  $t_{CKE}$  (min).

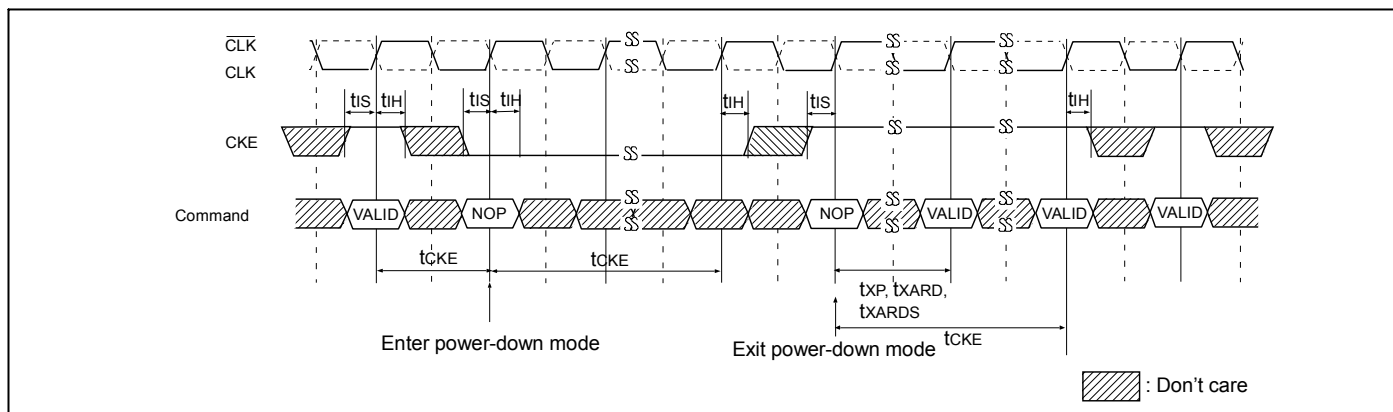
The user may change the external clock frequency or halt the external clock one clock after Self Refresh entry is registered, however, the clock must be restarted and stable before the device can exit Self Refresh operation. The procedure for exiting Self Refresh requires a sequence of commands. First, the clock must be stable prior to CKE going back HIGH. Once Self Refresh Exit is registered, a delay of  $t_{XSRD}$ (min) must be satisfied before a valid command can be issued to the device to allow for any internal refresh in progress. CKE must remain HIGH for the entire Self Refresh exit period  $t_{XSRD}$  for proper operation except for Self Refresh re-entry. Upon exit from Self Refresh, the device can be put back into Self Refresh mode after waiting  $t_{XSNR}$ (min) and issuing one Refresh command. NOP or deselect commands must be registered on each positive clock edge during the Self Refresh exit interval  $t_{XSNR}$ . ODT should be turned off during  $t_{XSRD}$ . The use of Self Refresh mode introduces the possibility that an internally timed refresh event can be missed when CKE is raised for exit from Self Refresh mode. Upon exit from Self Refresh, the device requires a minimum of one extra auto refresh command before it is put back into Self Refresh mode.



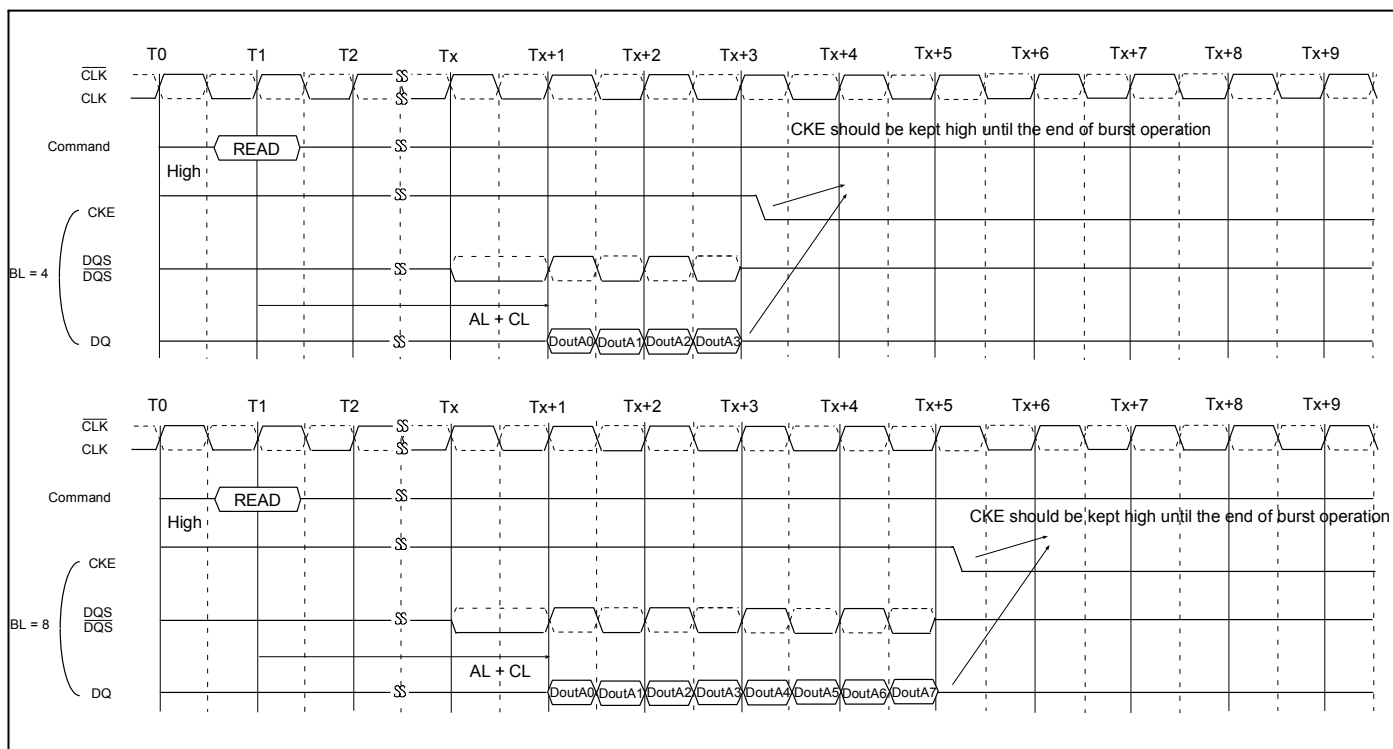
**Power-Down**

Power-Down is synchronously entered when CKE is registered LOW (no accesses can be in progress). CKE is not allowed to go LOW while MRS or EMRS command time, or read or write operation is in progress. CKE is allowed to go LOW while any of other operations such as Bank Active, Precharge or Auto Precharge, or Auto Refresh is in progress. The DLL should be in a locked state when Power-Down is entered. Otherwise DLL should be reset after exiting Power-Down mode for proper read operation. If Power-Down occurs when all banks are idle, this mode is referred to as Precharge Power-Down; if Power-Down occurs when there is a Bank Active command in any bank, this mode is referred to as Active Power-Down. Entering Power-Down deactivates the input and output buffers, excluding CLK,  $\overline{\text{CLK}}$ , ODT and CKE. Also the DLL is disabled upon entering Precharge Power-Down or slow exit Active Power-Down, but the DLL is kept enabled during fast exit Active Power-Down. In Power-Down mode, CKE LOW and a stable clock signal must be maintained at the inputs of the device, and ODT should be in a valid state but all other input signals are "Don't Care". CKE LOW must be maintained until  $t_{\text{CKE}}$  has been satisfied. Power-Down duration is limited by 9 times  $t_{\text{REFI}}$  of the device.

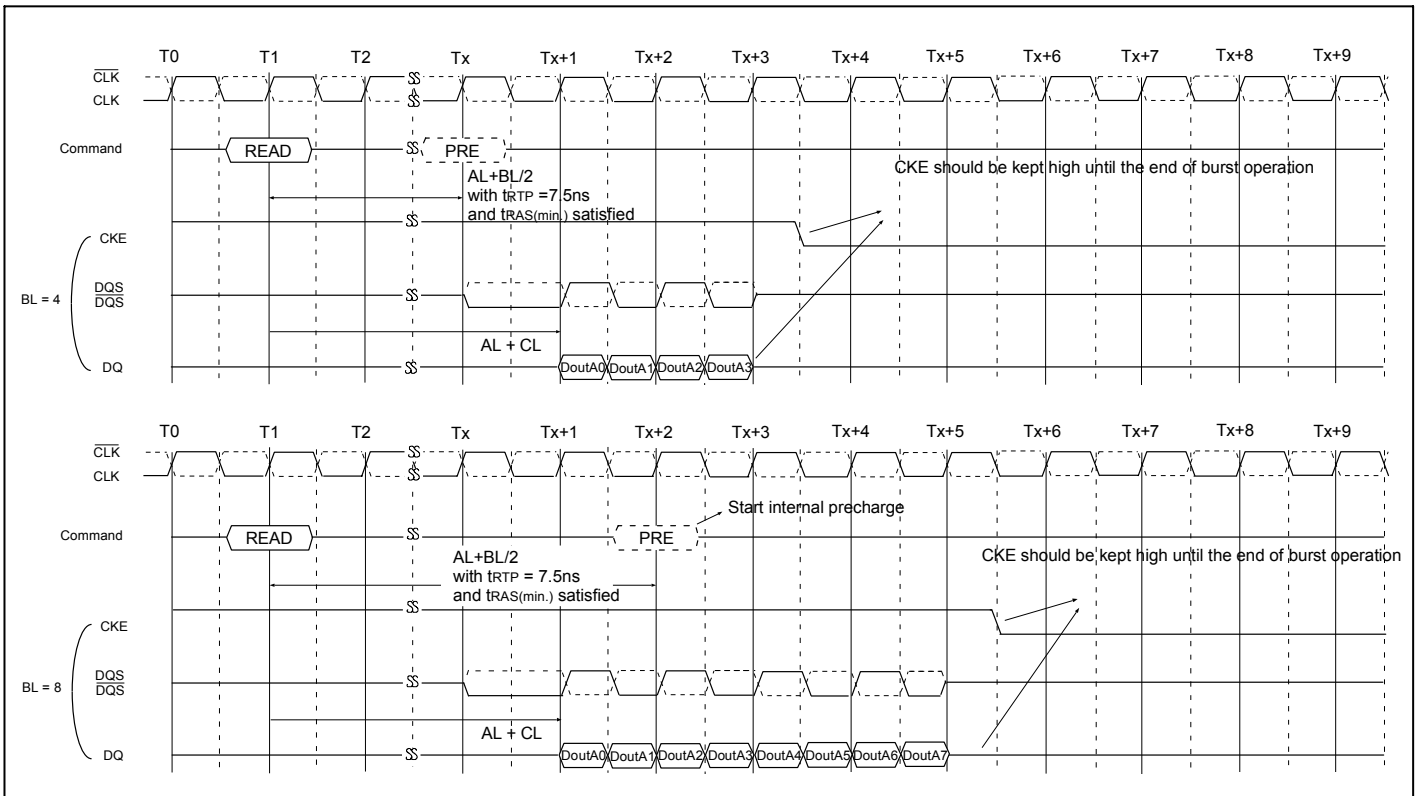
The Power-Down state is synchronously exited when CKE is registered HIGH (along with a NOP or DESELECT command). CKE HIGH must be maintained until  $t_{\text{CKE}}$  has been satisfied. A valid, executable command can be applied with Power-Down exit latency,  $t_{\text{XP}}$ ,  $t_{\text{XARD}}$ , or  $t_{\text{XARDS}}$ , after CKE goes HIGH.



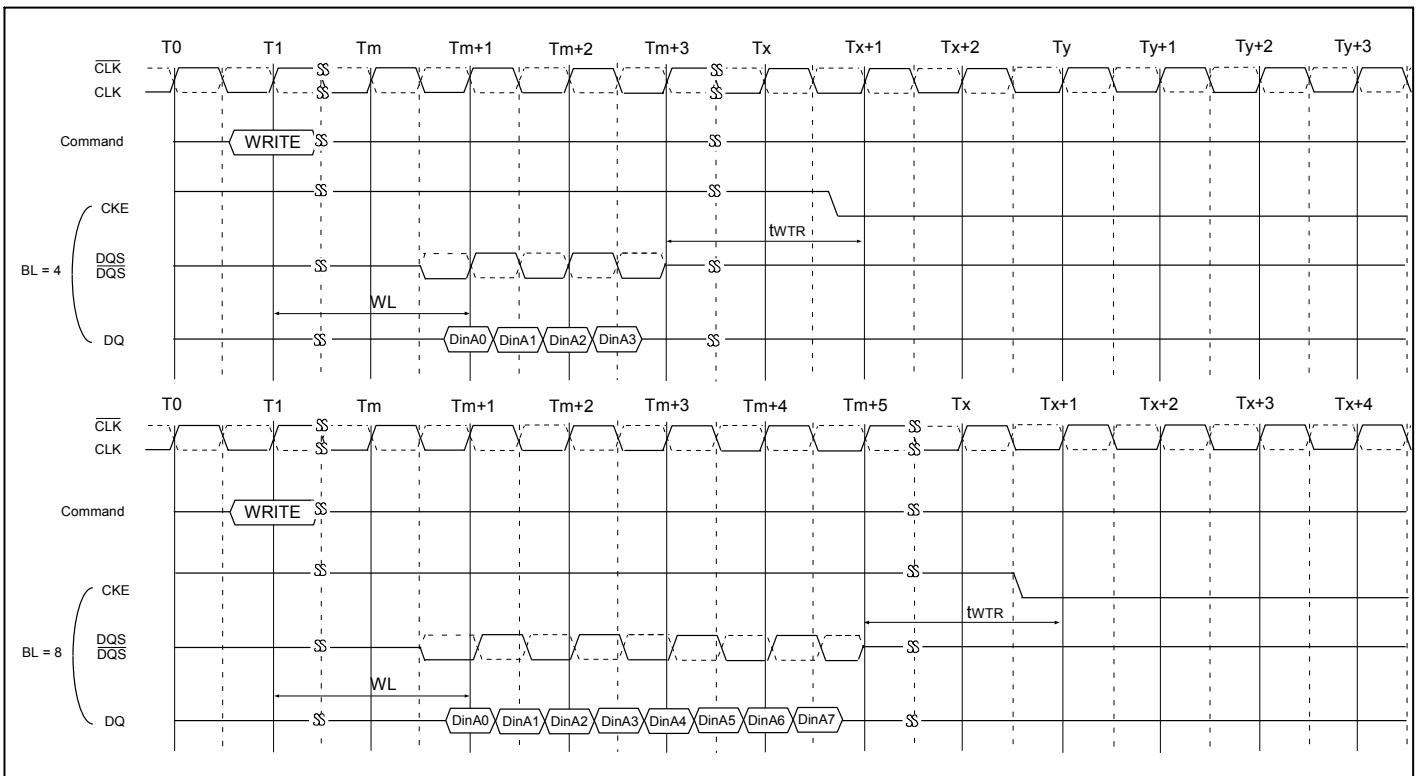
**Read to Power-Down Entry**



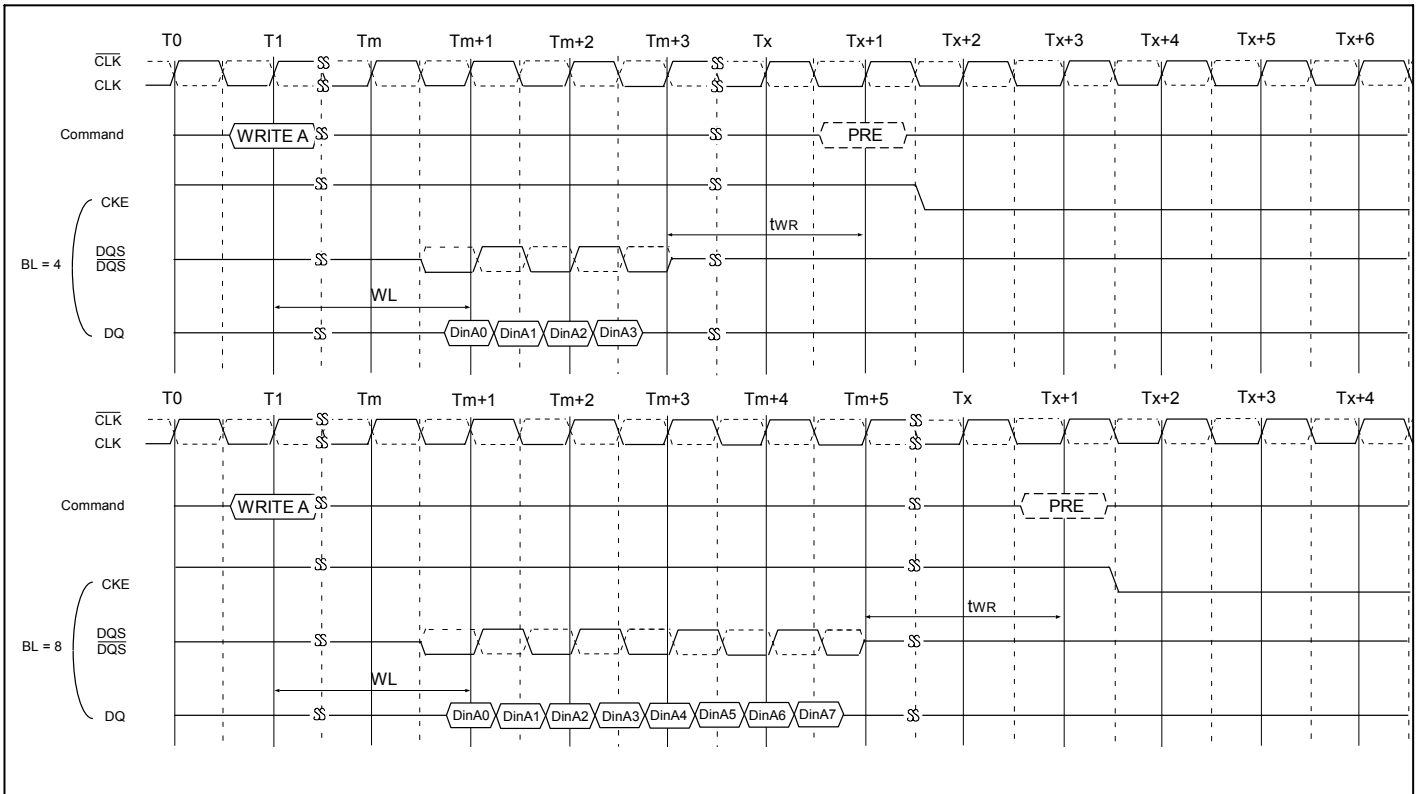
Read with Auto Precharge to Power-Down Entry



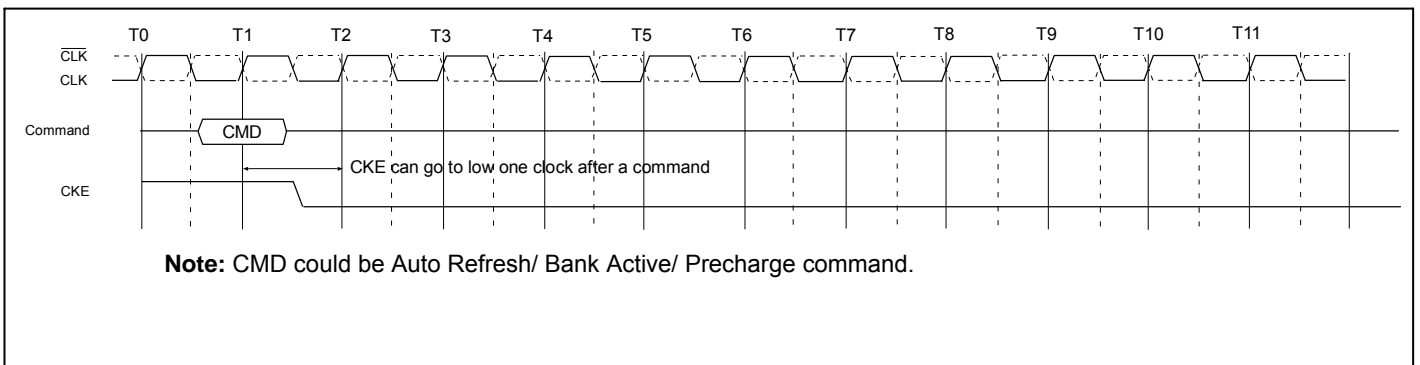
Write to Power-Down Entry



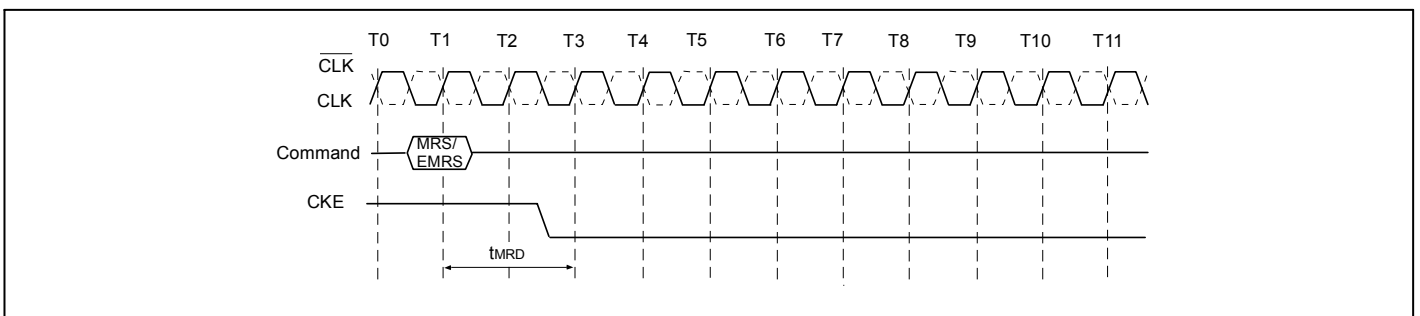
Write with Auto Precharge to Power-Down Entry



Auto Refresh/ Bank Active/ Precharge to Power-Down Entry

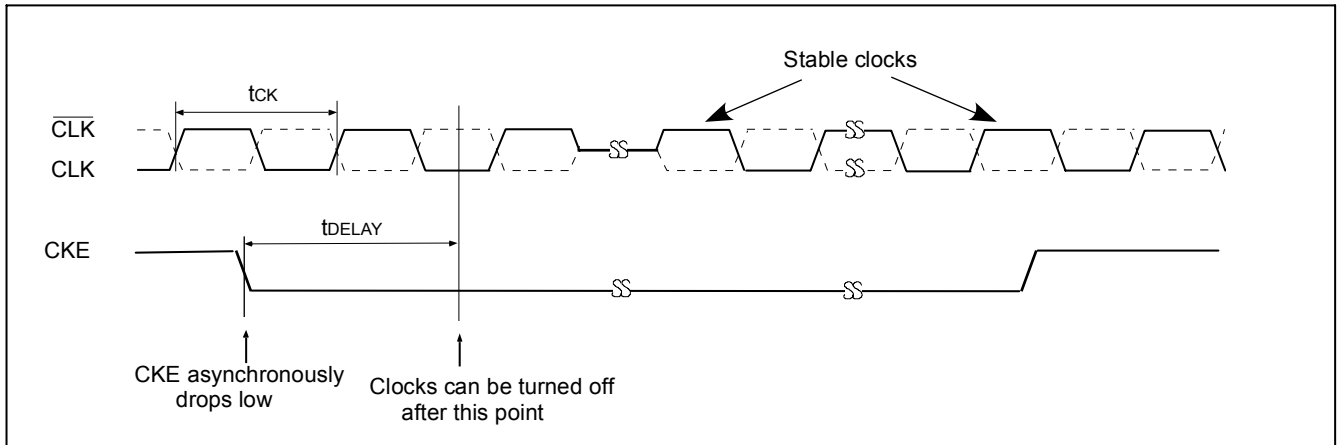


MRS/EMRS to Power-Down Entry



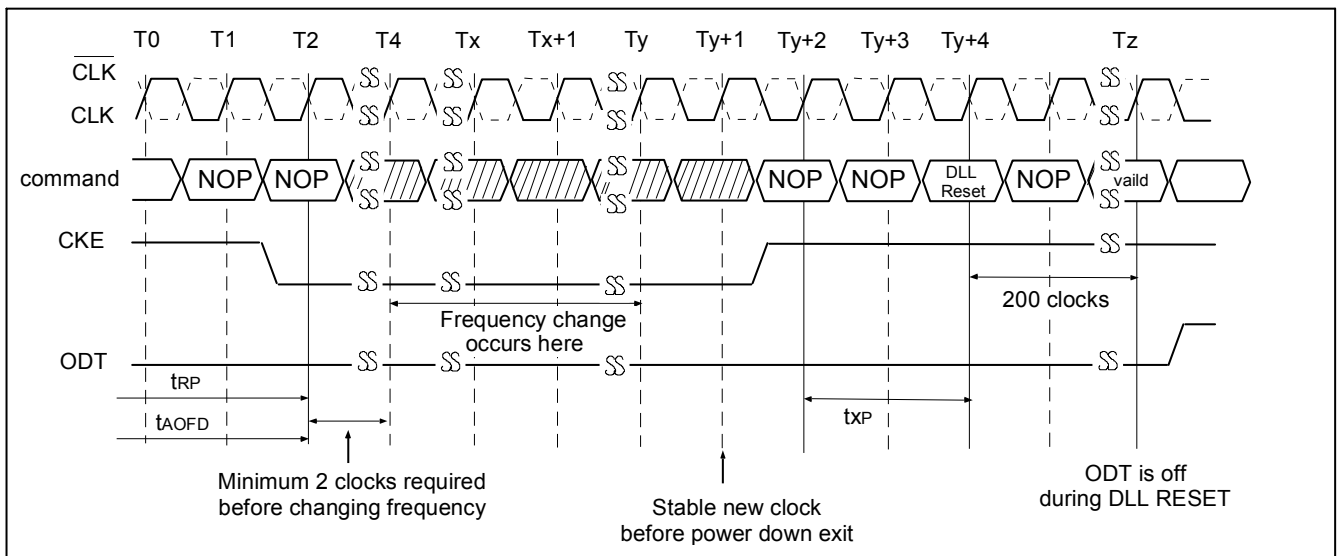
**Asynchronous CKE Low event**

DDR2 SDRAM requires CKE to be maintained "HIGH" for all valid operations as defined in this data sheet. If CKE asynchronously drops "LOW" during any valid operation, the device is not guaranteed to preserve the contents of array. If this event occurs, memory controller must satisfy  $t_{DELAY}$  before turning off the clocks. Stable clocks must exist at the input of device before CKE is raised "HIGH" again. The device must be fully re-initialized (steps 4 ~ 13) as described in initialization sequence. The device is ready for normal operation after the initialization sequence.



**Clock Frequency change in Precharge Power-Down mode**

DDR2 SDRAM input clock frequency can be changed under following condition:  
 The device is in Precharge Power-Down mode. ODT must be turned off and CKE must be at logic LOW level. A minimum of 2 clocks must be waited after CKE goes LOW before clock frequency may change. The device input clock frequency is allowed to change only between  $t_{CK}(\min)$  and  $t_{CK}(\max)$ . During input clock frequency change, ODT and CKE must be held at stable LOW levels. Once input clock frequency is changed, stable new clocks must be provided before Precharge Power-Down may be exited and DLL must be RESET via MRS after Precharge Power-Down exit. Depending on new clock frequency an additional MRS command may need to be issued to appropriately set the WR, CL etc.. During DLL re-lock period, ODT must remain off. After the DLL lock time, the device is ready to operate with new clock frequency.



Functional Truth Table

Current State	CS	RAS	CAS	WE	Address	Command	Action
IDLE	H	X	X	X	X	DESEL	NOP or Power-Down
	L	H	H	H	X	NOP	NOP or Power-Down
	L	H	L	X	BA, CA, A10	READ / READA / WRITE / WRITEA	ILLEGAL (*1)
	L	L	H	H	BA, RA	Active	Bank Active, Latch RA
	L	L	H	L	BA, A10 / A10	PRE / PREA	Precharge / Precharge All
	L	L	L	H	X	Refresh	Refresh (*2)
	L	L	L	L	Op-Code Mode-Add	MRS / EMRS	Mode Register setting / Extended Mode Register setting (*2)
BANK ACTIVE	H	X	X	X	X	DESEL	NOP
	L	H	H	H	X	NOP	NOP
	L	H	L	H	BA, CA, A10	READ / READA	Begin Read, Latch CA, Determine Auto Precharge
	L	H	L	L	BA, CA, A10	WRITE / WRITEA	Begin Write, Latch CA, Determine Auto Precharge
	L	L	H	H	BA, RA	Active	ILLEGAL (*1)
	L	L	H	L	BA, A10 / A10	PRE / PREA	Precharge / Precharge All
	L	L	L	H	X	Refresh	ILLEGAL
READ	L	L	L	L	Op-Code Mode-Add	MRS / EMRS	ILLEGAL
	H	X	X	X	X	DESEL	NOP (Continue Burst to END)
	L	H	H	H	X	NOP	NOP (Continue Burst to END)
	L	H	L	H	BA, CA, A10	READ / READA	Terminate Burst, Latch CA, Begin New Read, Determine Auto Precharge (*1, 4)
	L	H	L	L	BA, CA, A10	WRITE / WRITEA	ILLEGAL (*1)
	L	L	H	H	BA, RA	Active	ILLEGAL (*1)
	L	L	H	L	BA, A10 / A10	PRE / PREA	ILLEGAL (*1) / ILLEGAL
	L	L	L	H	X	Refresh	ILLEGAL
WRITE	L	L	L	L	Op-Code Mode-Add	MRS / EMRS	ILLEGAL
	H	X	X	X	X	DESEL	NOP (Continue Burst to end)
	L	H	H	H	X	NOP	NOP (Continue Burst to end)
	L	H	L	H	BA, CA, A10	READ / READA	ILLEGAL (*1)
	L	H	L	L	BA, CA, A10	WRITE / WRITEA	Terminate Burst, Latch CA, Begin new Write, Determine Auto-Precharge (*1, 4)
	L	L	H	H	BA, RA	Active	ILLEGAL (*1)
	L	L	H	L	BA, A10 / A10	PRE / PREA	ILLEGAL (*1) / ILLEGAL
	L	L	L	H	X	Refresh	ILLEGAL
L	L	L	L	Op-Code Mode-Add	MRS / EMRS	ILLEGAL	

Current State	$\overline{CS}$	$\overline{RAS}$	$\overline{CAS}$	$\overline{WE}$	Address	Command	Action
READ with AUTO PRECHARGE	H	X	X	X	X	DESEL	NOP (Continue Burst to end)
	L	H	H	H	X	NOP	NOP (Continue Burst to end)
	L	H	L	H	BA, CA, A10	READ / READA	ILLEGAL (*1)
	L	H	L	L	BA, CA, A10	WRITE / WRITEA	ILLEGAL (*1)
	L	L	H	H	BA, RA	Active	ILLEGAL (*1)
	L	L	H	L	BA, A10 / A10	PRE / PREA	ILLEGAL (*1) / ILLEGAL
	L	L	L	H	X	Refresh	ILLEGAL
	L	L	L	L	Op-Code Mode-Add	MRS / EMRS	ILLEGAL
WRITE with AUTO PRECHARGE	H	X	X	X	X	DESEL	NOP (Continue Burst to END)
	L	H	H	H	X	NOP	NOP (Continue Burst to END)
	L	H	L	H	BA, CA, A10	READ / READA	ILLEGAL (*1)
	L	H	L	L	BA, CA, A10	WRITE / WRITEA	ILLEGAL (*1)
	L	L	H	H	BA, RA	Active	ILLEGAL (*1)
	L	L	H	L	BA, A10	PRE / PREA	ILLEGAL (*1) / ILLEGAL
	L	L	L	H	X	Refresh	ILLEGAL
	L	L	L	L	Op-Code Mode-Add	MRS / EMRS	ILLEGAL
PRE-CHARGING	H	X	X	X	X	DESEL	NOP (Idle after $t_{RP}$ )
	L	H	H	H	X	NOP	NOP (Idle after $t_{RP}$ )
	L	H	L	X	BA, CA, A10	READ / READA / WRITE / WRITEA	ILLEGAL (*1)
	L	L	H	H	BA, RA	Active	ILLEGAL (*1)
	L	L	H	L	BA, A10 / A10	PRE / PREA	NOP (Idle after $t_{RP}$ )
	L	L	L	H	X	Refresh	ILLEGAL
	L	L	L	L	Op-Code Mode-Add	MRS / EMRS	ILLEGAL
ROW ACTIVATING	H	X	X	X	X	DESEL	NOP (Bank Active after $t_{RCD}$ )
	L	H	H	H	X	NOP	NOP (Bank Active after $t_{RCD}$ )
	L	H	L	X	BA, CA, A10	READ / READA / WRITE / WRITEA	ILLEGAL (*1, 5)
	L	L	H	H	BA, RA	Active	ILLEGAL (*1)
	L	L	H	L	BA, A10 / A10	PRE / PREA	ILLEGAL
	L	L	L	H	X	Refresh	ILLEGAL
	L	L	L	L	Op-Code Mode-Add	MRS / EMRS	ILLEGAL

Current State	$\overline{CS}$	$\overline{RAS}$	$\overline{CAS}$	$\overline{WE}$	Address	Command	Action
WRITE RECOVERING	H	X	X	X	X	DESEL	NOP (Bank Active after $t_{WR}$ )
	L	H	H	H	X	NOP	NOP (Bank Active after $t_{WR}$ )
	L	H	L	H	BA, CA, A10	READ / READA	ILLEGAL (*1, 6)
	L	H	L	L	BA, CA, A10	WRITE / WRITEA	WRITE / WRITEA
	L	L	H	H	BA, RA	Active	ILLEGAL (*1)
	L	L	H	L	BA, A10 / A10	PRE / PREA	ILLEGAL (*1) / ILLEGAL
	L	L	L	H	X	Refresh	ILLEGAL
	L	L	L	L	Op-Code Mode-Add	MRS / EMRS	ILLEGAL
WRITE RECOVERING with AUTO PRECHARGE	H	X	X	X	X	DESEL	NOP (Bank Active after $t_{WR}$ )
	L	H	H	H	X	NOP	NOP (Bank Active after $t_{WR}$ )
	L	H	L	X	BA, CA, A10	READ / READA / WRITE / WRITEA	ILLEGAL (*1)
	L	L	H	H	BA, RA	Active	ILLEGAL (*1)
	L	L	H	L	BA, A10 / A10	PRE / PREA	ILLEGAL (*1) / ILLEGAL
	L	L	L	H	X	Refresh	ILLEGAL
	L	L	L	L	Op-Code Mode-Add	MRS / EMRS	ILLEGAL
REFRESH	H	X	X	X	X	DESEL	NOP (Idle after $t_{RFC}$ )
	L	H	H	H	X	NOP	NOP (Idle after $t_{RFC}$ )
	L	H	L	X	BA, CA, A10	READ / READA / WRITE / WRITEA	ILLEGAL
	L	L	H	H	BA, RA	Active	ILLEGAL
	L	L	H	L	BA, A10 / A10	PRE / PREA	ILLEGAL
	L	L	L	H	X	Refresh	ILLEGAL
	L	L	L	L	Op-Code Mode-Add	MRS / EMRS	ILLEGAL
(Extended) MODE REGISTER SETTING	H	X	X	X	X	DESEL	NOP (Idle after $t_{MRD}$ )
	L	H	H	H	X	NOP	NOP (Idle after $t_{MRD}$ )
	L	H	L	X	BA, CA, A10	READ / READA / WRITE / WRITEA	ILLEGAL
	L	L	H	H	BA, RA	Active	ILLEGAL
	L	L	H	L	BA, A10 / A10	PRE / PREA	ILLEGAL
	L	L	L	H	X	Refresh	ILLEGAL
	L	L	L	L	Op-Code Mode-Add	MRS / EMRS	ILLEGAL

H = High Level, L = Low level, X = Don't Care

BA = Bank Address, RA = Row Address, CA = Column Address, NOP = No Operation

ILLEGAL = Device operation and / or data integrity are not guaranteed.

**Note:**

1. This command may be issued for other banks, depending on the state of the banks.
2. All banks must be in "IDLE".
3. All AC timing specs must be met.
4. Only allowed at the boundary of 4 bits burst. Burst interruption at other timings is illegal.
5. Available in case  $t_{RCD}$  is satisfied by AL setting.
6. Available in case  $t_{WTR}$  is satisfied.



**PACKING**

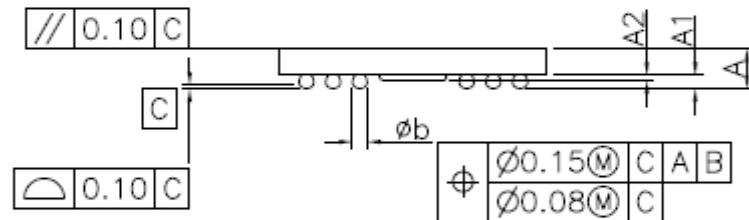
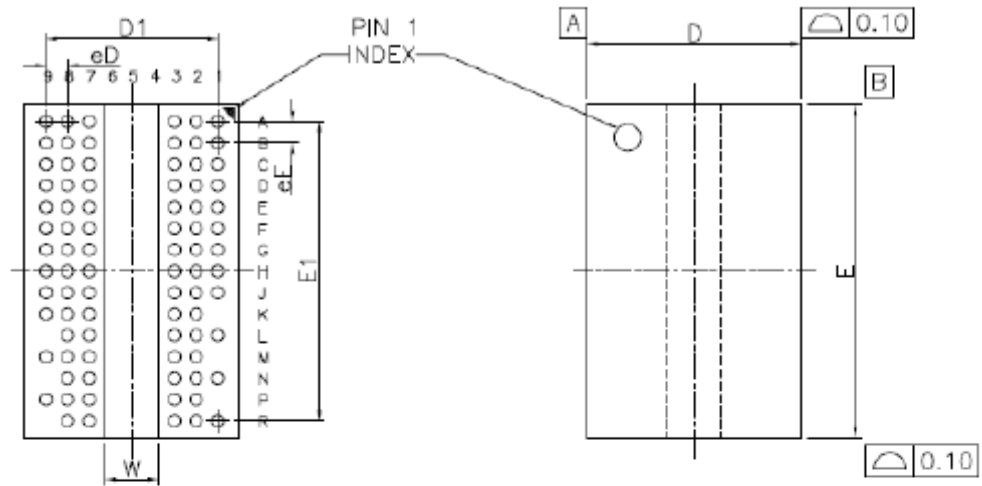
**DIMENSIONS**

**84-BALL**

**DDRII SDRAM ( 8x12.5 mm )**

Solder ball: Lead free (Sn-Ag-Cu)

Unit: mm



Symbol	MILLIMETERS		
	MIN.	NOM.	MAX.
A	---	---	1.20
A1	0.30	0.35	0.40
A2	0.10	0.15	0.20
D	7.90	8.00	8.10
D1	6.40 BSC		
E	12.40	12.50	12.60
E1	11.20 BSC		
b	0.40	0.45	0.50
eD	0.80 BSC		
eE	0.80 BSC		
W	2.00 BSC		

**Revision History**

<b>Revision</b>	<b>Date</b>	<b>Description</b>
0.1	2012.08.24	Original

**Important Notice**

All rights reserved.

No part of this document may be reproduced or duplicated in any form or by any means without the prior permission of ESMT.

The contents contained in this document are believed to be accurate at the time of publication. ESMT assumes no responsibility for any error in this document, and reserves the right to change the products or specification in this document without notice.

The information contained herein is presented only as a guide or examples for the application of our products. No responsibility is assumed by ESMT for any infringement of patents, copyrights, or other intellectual property rights of third parties which may result from its use. No license, either express, implied or otherwise, is granted under any patents, copyrights or other intellectual property rights of ESMT or others.

Any semiconductor devices may have inherently a certain rate of failure. To minimize risks associated with customer's application, adequate design and operating safeguards against injury, damage, or loss from such failure, should be provided by the customer when making application designs.

ESMT's products are not authorized for use in critical applications such as, but not limited to, life support devices or system, where failure or abnormal operation may directly affect human lives or cause physical injury or property damage. If products described here are to be used for such kinds of application, purchaser must do its own quality assurance testing appropriate to such applications.