

5136-[*]

*Number of contacts;
Options are:
3, 4, 5, 6, 7, 8

ELECTRICAL:

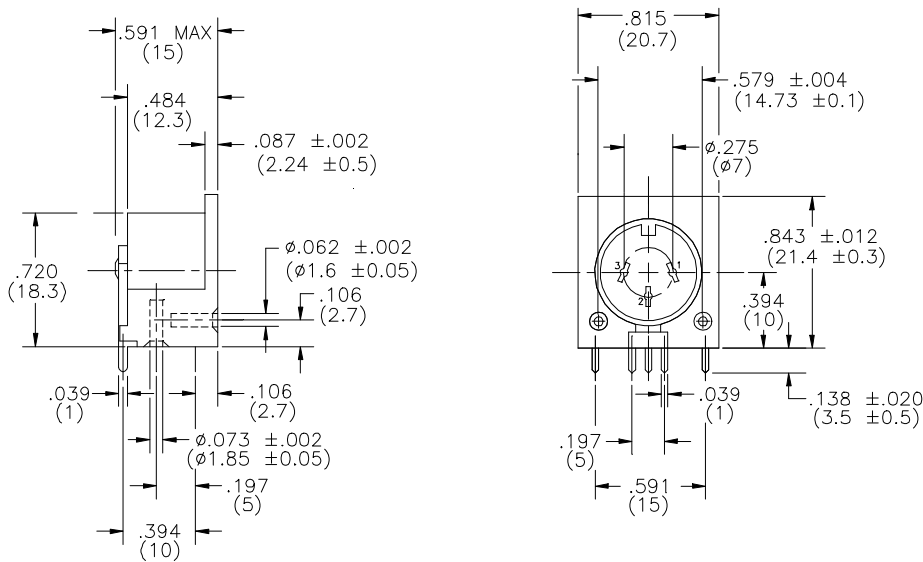
- Current rating: 2 AMP maximum 100 VAC
- Contact resistance: 20 milliohms maximum
- Insulation resistance: 100 Megohms minimum
- Dielectric withstanding voltage: 500 VAC Minimum

MATERIAL:

- Insulator: UL94V-0 / PBT glass filled
- Contacts: Brass
- Plating: 100μ" silver over nickel
- Operating temperature: -55°C to +105°C
- Color: Black

FEATURES:

- Full 4 - side shroud pin protection
- Polarized feature for proper orientation
- Mates with Regal #4030 series



3 Pin 180°	4 Pin 210°	5 Pin 180°	6 Pin 240°	7 Pin 270°	8 Pin 270°

030722