



## 8-directional Stick Switch (with Center-push Function) RKJXM Series

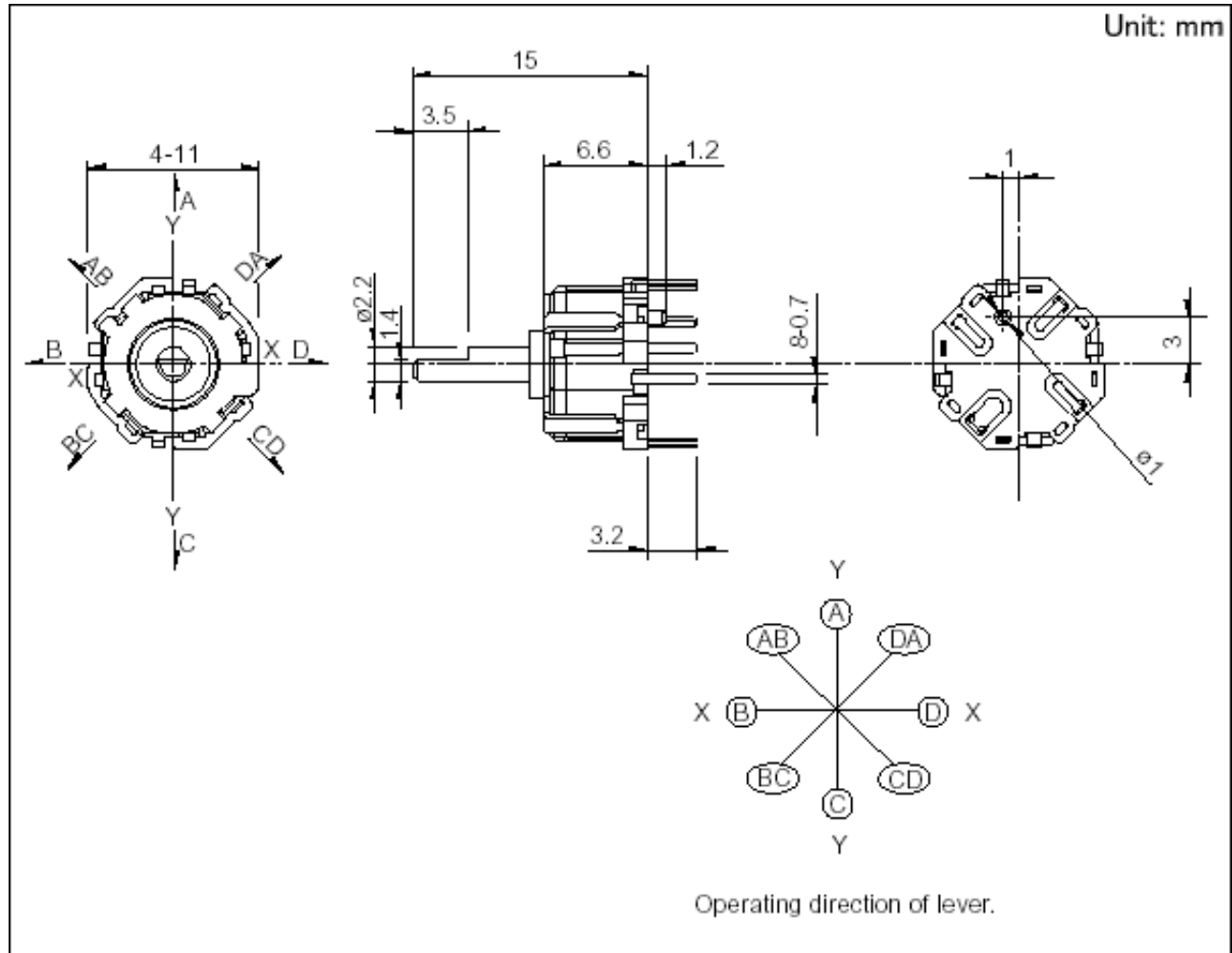
Part number	<b>RKJXM1015001</b>	
Number of operating shafts	Single-shaft	
Shaft material	Metal	
Stick switches	Contact resistance	8-direction & Center push 1Ω max.
	Operating angle (8-direction)	A, B, C, D direction: 10° max. AB, BC, CD, DA direction: 12° max.
	Travel (Center push)	0.3±0.2mm
Operating temperature range	-40°C to +85°C	
Ratings (max.) (Resistive load)	10mA 5V DC	
Electrical performance	Directional resolution	8-direction
	Encoder resolution	15pulses / 360°
	Insulation resistance	100MΩ min. 250V DC
	Voltage proof	300V AC for 1 minute or 360V AC for 2s

Mechanical performance	Directional operating force		Direction A, B, C, D $30\pm 20\text{mN}\cdot\text{m}$ Direction AB, BC, CD, DA $25\pm 20\text{mN}\cdot\text{m}$
	Push operating force		$3\pm 1.5\text{N}$
	Actuator strength	Push/pull directions	100N (Push), 50N (Pull)
		Operating direction	$0.3\text{N}\cdot\text{m}$
Durability	Operating life	Directions	Total with 8-direction 100,000 cycles
		Center push	100,000 cycles
Environmental performance	Cold		$-40\pm 2^\circ\text{C}$ for 500h
	Dry heat		$85\pm 2^\circ\text{C}$ for 500h
	Damp heat		$60\pm 2^\circ\text{C}$ , 90 to 95%RH for 500h
Minimum order unit (pcs.)	Japan		1,000
	Export		2,000

## Photo

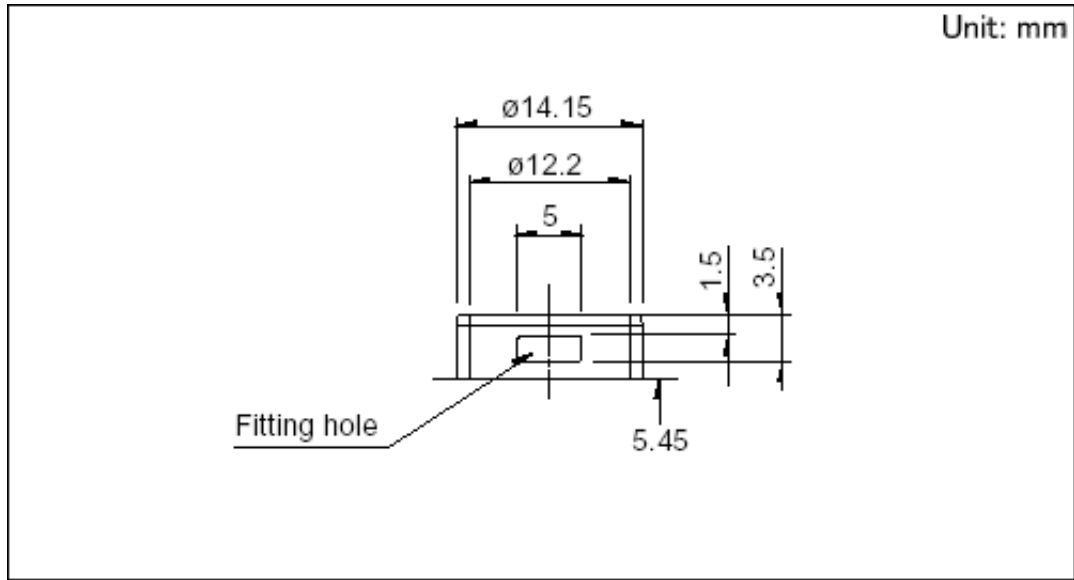


Dimensions

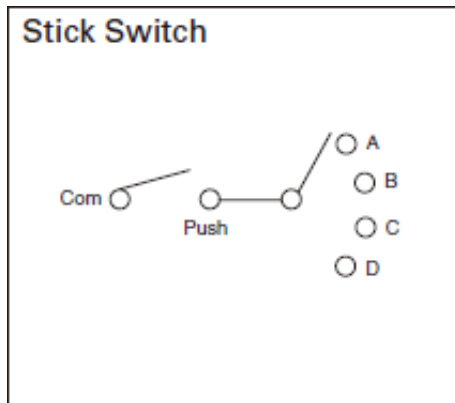


Mounting Hole Dimensions



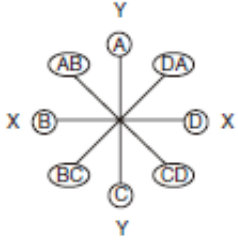


### Circuit Diagram



Output Relation Chart between Lever Position and ON Position.

Terminal	Operation procedure								
	A	AB	B	BC	C	CD	D	DA	Center Push
Com-A	ON	ON						ON	
Com-B		ON	ON	ON					
Com-C				ON	ON	ON			
Com-D						ON	ON	ON	
Com-Push	ON	ON	ON	ON	ON	ON	ON	ON	ON



Operating direction of lever.

## Packing Specifications

### Tray

Number of packages 1 case / Japan      1,000  
(pcs.)

1 case / export  
packing      2,000

Export package measurements (mm)      290×405×200

## Soldering Condition

### Reference for Dip Soldering

Preheating      Soldering surface temperature      100°C max.

Heating time      2 min. max.

Dip soldering      Soldering temperature      260±5°C

Soldering time      5±1s

No. of solders      2 time max.

### Reference for Hand Soldering

Tip temperature	350±5°C
Soldering time	3s max.
No. of solders	1 time

---

### Notes are common to this series/models.

1. This site catalog shows only outline specifications. When using the products, please obtain formal specifications for supply.
2. Please place purchase orders per minimum order unit (integer).
3. This products can be used in vehicles.  
Although these products are designed to perform over a wide operating temperature range, please ensure that you receive and read the formal delivery specifications before use.