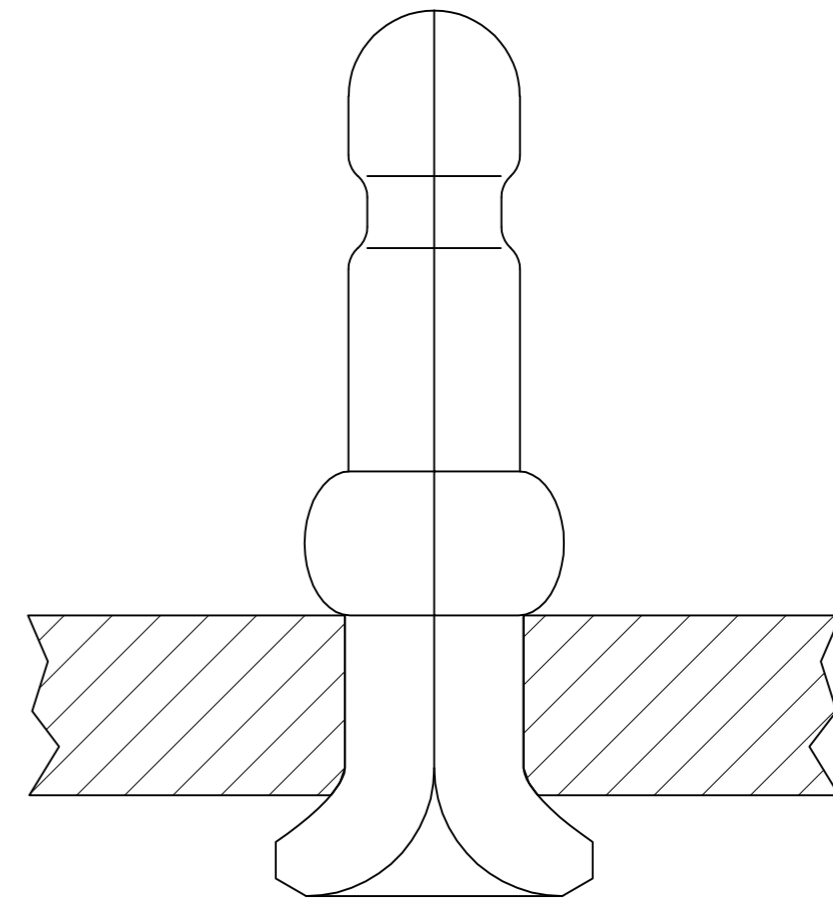
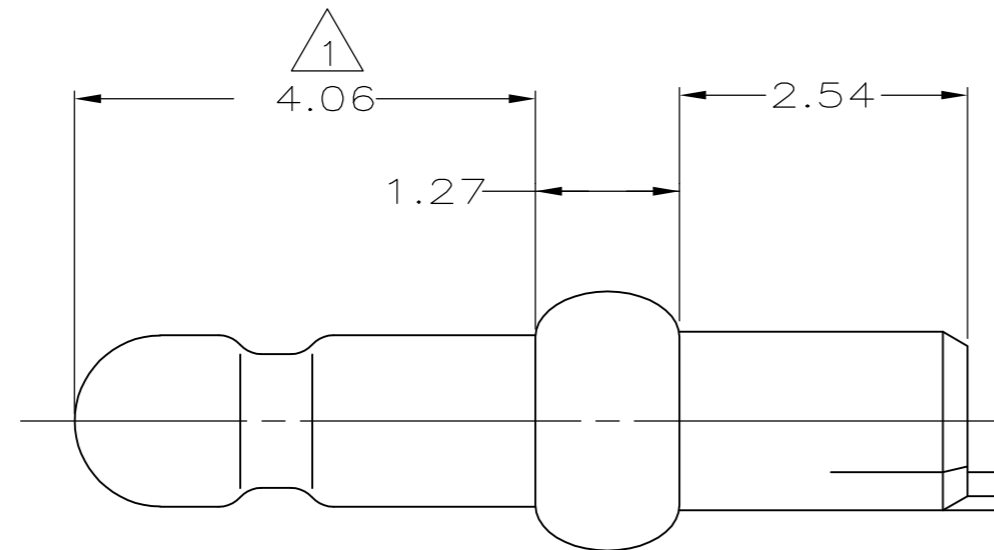
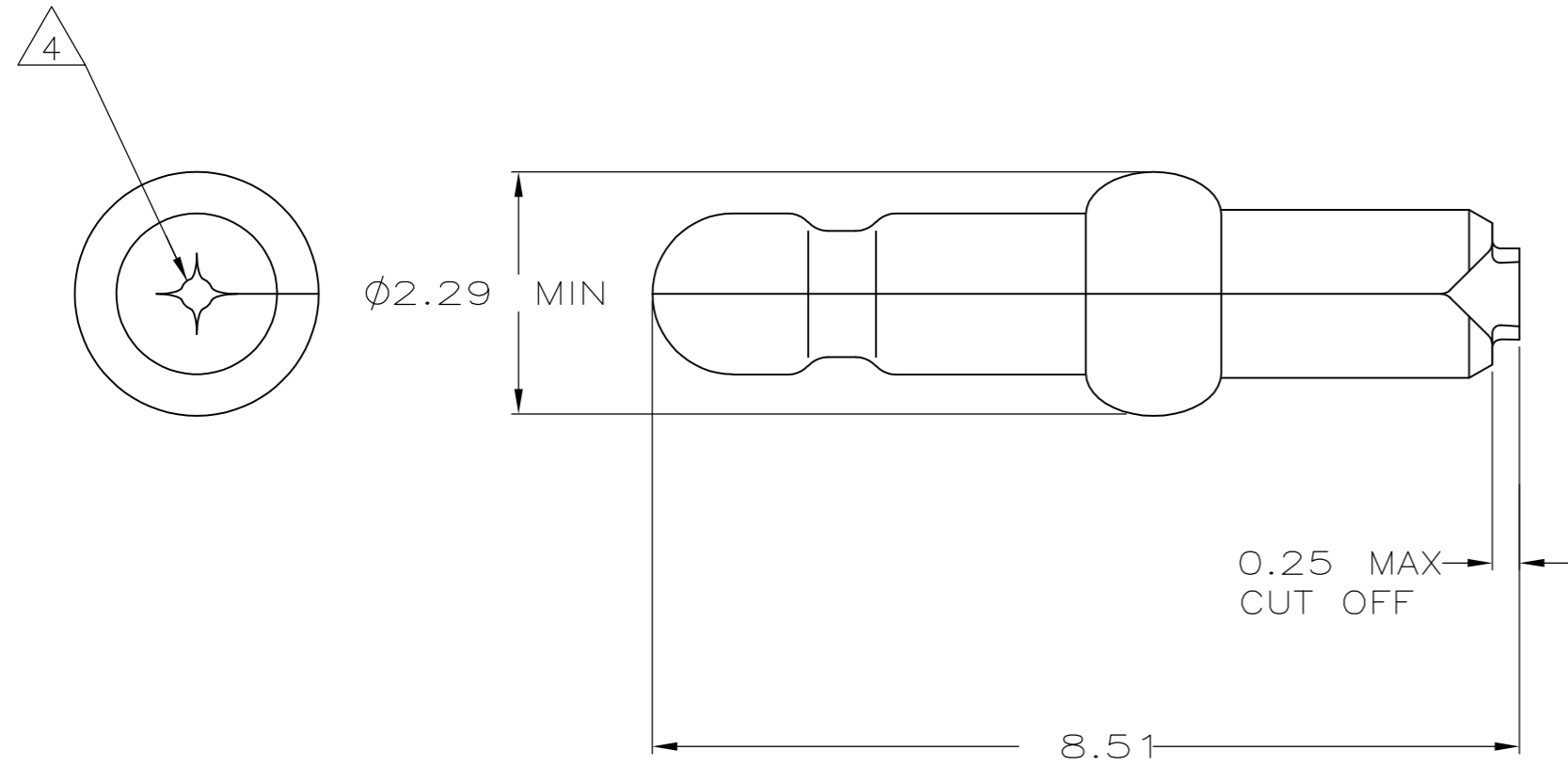


THIS DRAWING IS UNPUBLISHED. RELEASED FOR PUBLICATION  
 © COPYRIGHT BY TYCO ELECTRONICS CORPORATION. ALL INTERNATIONAL RIGHTS RESERVED.

| LOC |     | DIST        |  | REVISIONS                 |         |      |    |
|-----|-----|-------------|--|---------------------------|---------|------|----|
| P   | LTR | DESCRIPTION |  | DATE                      | DWN     | APVD |    |
| CM  | 52  | T           |  | REVISED PER ECO-08-030778 | 12DEC08 | HMR  | FD |

- 1 0.00076 MIN GOLD PLATING IN THIS AREA WITH 0.00381 MIN MATTE TIN LEAD ON THE REMAINDER, BOTH OVER 0.00127 MIN NICKEL UNDERPLATE.
- 2 FITS 1.70 - 1.85 DIAMETER HOLE IN A 1.57 PRINTED CIRCUIT BOARD.
- 3 PARTS TO COMPLY WITH AMP SOLDERABILITY SPECIFICATION 109-11-3.
- 4 0.05 - 0.25 DIAMETER OPENING REQUIRED IN TIP OF PIN.
- 5 0.00076 MIN GOLD PLATING IN THIS AREA WITH 0.00381 MIN MATTE TIN ON THE REMAINDER, BOTH OVER 0.00127 MIN NICKEL UNDERPLATE.



|          |              |                      |
|----------|--------------|----------------------|
| OBSOLETE | <del>5</del> | <del>3-61097-2</del> |
|          | PRE TIN      | 3-61097-1            |
| OBSOLETE | <del>1</del> | <del>61097-2</del>   |
|          | PRE TIN      | 61097-1              |
|          | FINISH       | PART NUMBER          |

|         |          |      |      |      |      |    |    |
|---------|----------|------|------|------|------|----|----|
| 0.13    | .005     | 1.70 | .067 | 8.51 | .335 | -  | -  |
| 0.05    | .002     | 1.57 | .062 | 4.06 | .160 | -  | -  |
| 0.00381 | 0.000150 | 1.47 | .058 | 2.54 | .100 | -  | -  |
| 0.00127 | 0.000050 | 1.27 | .050 | 2.29 | .090 | -  | -  |
| 0.00076 | 0.000030 | 0.25 | .010 | 1.85 | .073 | -  | -  |
| MM      | IN       | MM   | IN   | MM   | IN   | MM | IN |

CONVERSION TABLE

METRIC

|  |  |                  |            |         |  |         |               |
|--|--|------------------|------------|---------|--|---------|---------------|
| THIS DRAWING IS A CONTROLLED DOCUMENT.   |  | DWN              | T. BECK    | 8-22-97 | Tyco Electronics Corporation<br>Harrisburg, PA 17105-3608                        |         |               |
| DIMENSIONS: mm   |  | CHK              | R. SWING   | 8-22-97 | NAME   |         |               |
| TOLERANCES UNLESS OTHERWISE SPECIFIED:   |  | APVD             | A. BEDDICK | 9-10-97 | PIN, .058 DIAMETER,<br>PHOSPHOR BRONZE, CLINCH FIT,<br>LOOSE PIECE, P.C. CONTACT |         |               |
| 0 PLC ± -<br>1 PLC ± -<br>2 PLC ± 0.13<br>3 PLC ± -<br>4 PLC ± -<br>ANGLES ± ± |  | PRODUCT SPEC     | 108-1025   |         | SIZE   | A2      | RESTRICTED TO |
| MATERIAL: 0.25 PH BRZ  |  | APPLICATION SPEC | 114-1008   |         | CAGE CODE  | 00779   |               |
| FINISH: SEE TABLE  |  | WEIGHT           | -          |         | DRAWING NO   | C=61097 |               |
| CUSTOMER DRAWING   |  |                  |            |         | SCALE  | 15:1    | SHEET 1 of 1  |
|  |  |                  |            |         | REV  | T       |               |