

Features

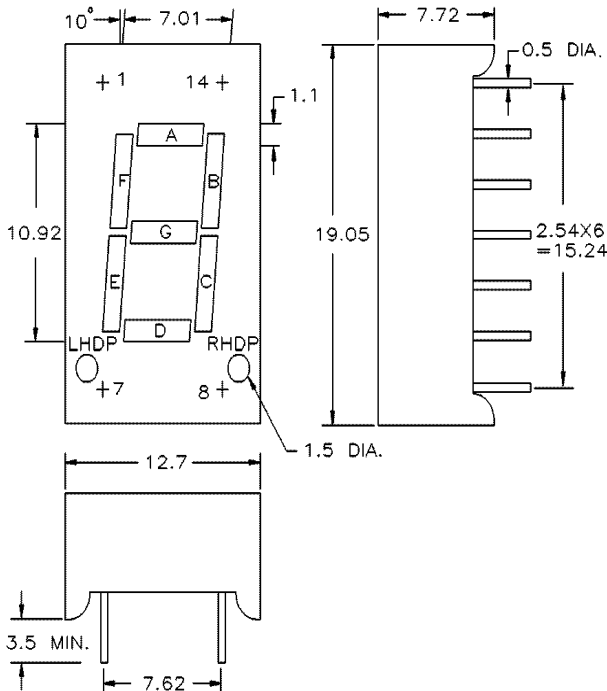
Left and Right Hand Decimal
 Additional Colors/Materials Available
 High Light Output
 IC Compatible
 Low Current Requirements
 Other Face/Epoxy Colors Available
 Excellent Character Appearance

Notes

All Dimensions are in millimeters.
 Tolerance is $\pm 0.25\text{mm}$ unless otherwise stated.
 The slope angle of any pin may be $\pm 5.0^\circ$ MAX.
 Operating Temperature: $-25 \sim +85$
 Storage Temperature: $-25 \sim +100$
 Specifications are subject to change without notice.

Part Number	PWL λp	Material	Emitted Color	Face Colors		Maximum Ratings			Optical and Electrical Characteristics								Pin Out
				Epoxy Color	Surface Color	IF	VR	PD	Forward Voltage VF				Reverse Current IR		Luminous Intensity IV		
									typ. seg	IF@	typ. dec	IF@	max.	VR@	typ. seg	IF@	
MTN2143-AG	567	GaP	YG	White	Grey	30	5.00	85.00	2.10	20mA	-	-	100	5V	2.90	10mA	1
MTN2143-CG	567	GaP	YG	White	Grey	30	5.00	85.00	2.10	20mA	-	-	100	5V	2.90	10mA	2
MTN4143-AHR	635	GaAsP	HR	Red	Red	30	5.00	85.00	2.10	20mA	-	-	100	5V	3.30	10mA	1
MTN4143-AO	635	GaAsP	HR	White	Grey	30	5.00	85.00	2.10	20mA	-	-	100	5V	3.30	10mA	1
MTN4143-CHR	635	GaAsP	HR	Red	Red	30	5.00	85.00	2.10	20mA	-	-	100	5V	3.30	10mA	2
MTN4143-CO	635	GaAsP	HR	White	Grey	30	5.00	85.00	2.10	20mA	-	-	100	5V	3.30	10mA	2
MTN7143M-11A	660	GaAlAs	SBUR	White	Grey	30	4.00	70.00	1.70	20mA	-	-	100	4V	17.30	20mA	1
MTN7143M-11C	660	GaAlAs	UR	White	Grey	30	4.00	70.00	1.70	20mA	-	-	100	4V	17.30	20mA	2
Units	nm	-	-	-	-	mA	V	mW	V	-	V	-	μA	-	mcd	-	-

Package Dimensions and Pin Functions



PINOUT 1

COMMON ANODE

PIN NO.	FUNCTION
1.	CATHODE A
2.	CATHODE F
3.	COMMON ANODE
4.	NO PIN
5.	NO PIN
6.	CATHODE LHDP
7.	CATHODE E
8.	CATHODE D
9.	CATHODE RHDP
10.	CATHODE C
11.	CATHODE G
12.	NO PIN
13.	CATHODE B
14.	COMMON ANODE

PINOUT 2

COMMON CATHODE

PIN NO.	FUNCTION
1.	ANODE A
2.	ANODE F
3.	COMMON CATHODE
4.	NO PIN
5.	NO PIN
6.	ANODE LHDP
7.	ANODE E
8.	ANODE D
9.	ANODE RHDP
10.	ANODE C
11.	ANODE G
12.	NO PIN
13.	ANODE B
14.	COMMON CATHODE