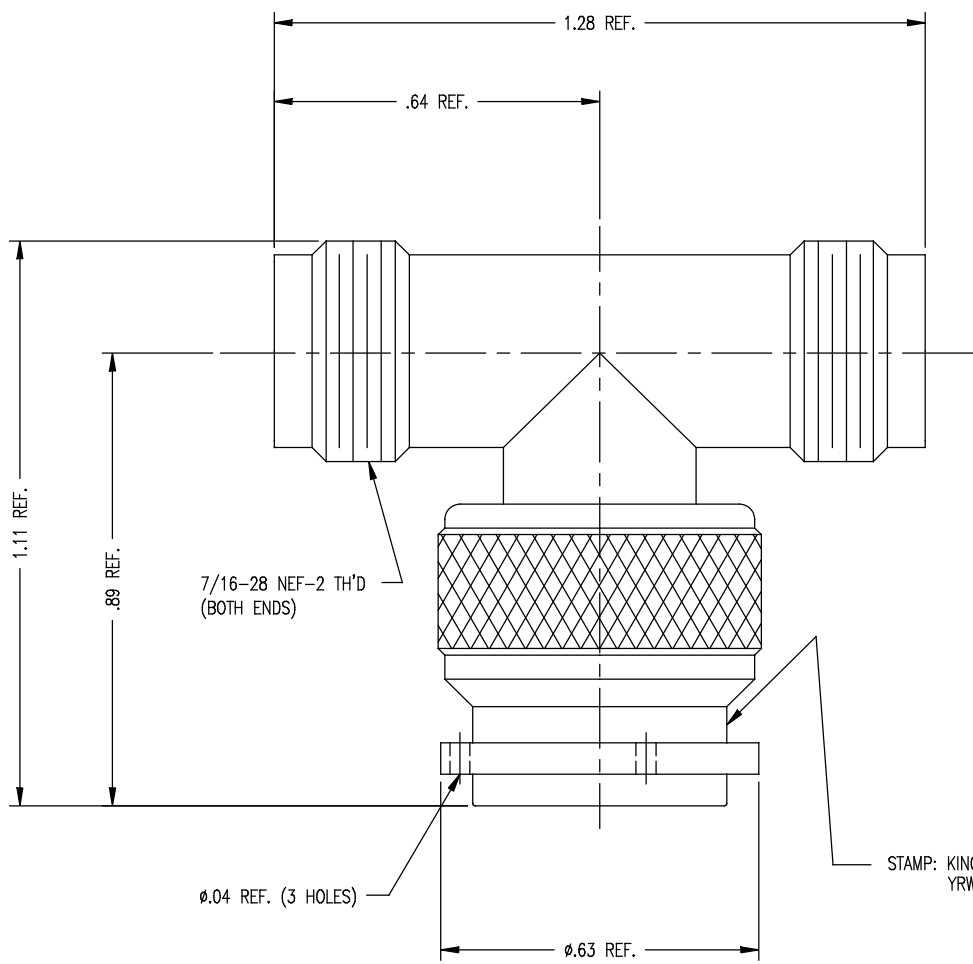


DASH NO.	M CODE	MADE FROM
----------	--------	-----------

GSD

KA-99-125-M06

REVISIONS	
ISSUE	CHANGES
3	CN 40055 E REDRAWN HVN 08/31/07



- NOTES:
1. MATERIALS:
INSULATORS: TEFLON, ASTM-D-4894
GASKET: SIL. RUB. A-A-59588
C-RING: PHOS. BRONZE, ASTM-B-103
OUTER CONTACT: BER. COP., ASTM-B-194
ALL OTHER PARTS: BRASS, ASTM-B-16
 2. FINISHES:
OUTER CONTACT: SILVER PLATE PER ASTM-B-700
CENTER CONTACT: GOLD PLATE PER ASTM-B-488
ALL OTHER METAL PARTS: KINGS TARNISH RESISTANT FINISH (TR-5)
 3. ELECTRICAL CHARACTERISTICS:
NOMINAL IMPEDANCE: 50 OHMS
VOLTAGE RATING: 500 VRMS
FREQUENCY RANGE: DC TO 11 GHz

STAMP: KINGS KA-99-125-M06
YRWK (DATE CODE)

KA-99-125-M06 GSD

SCALE 4 : 1	
APPROX SURFACE AREA	
USED ON	
REF:	
TNC TEE ADAPTER, F-M-F	
DRAWN H. NGUYEN	DATE 08/31/07
DESIGN GINO	DATE 04/24/80
APPR.	DATE



KA-99-125-M06

GSD