





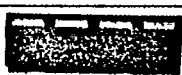




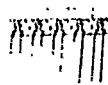

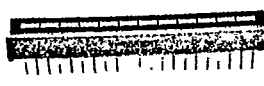



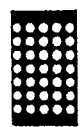


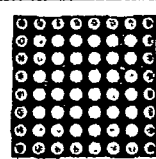
Led Indicator Lamps

■ LED LAMP ARRAYS

Package	Type No.	Color
 3.6x6.1	GR-1085I	Red
	GR-1085G	Green
	GR-1085Y	Yellow
 4.7φ	GR-1086R	Red
	GR-1086I	Red
	GR-1086G	Green
	GR-1086Y	Yellow
 4.7φ	GR-1087I	Red
	GR-1087G	Green
	GR-1087Y	Yellow
 3φ	GR-1088R	Red
	GR-1088G	Green
	GR-1088Y	Yellow
 1.8x5.3	GR-1089	Red Green Yellow
 1.8x5.3	GR-1090	
 1.8x5.3	GR-1091	
 1.8x5.3	GR-1092	
 1.8x5.3	GR-1093	
 1.8x5.3	GR-1094	
 1.8x5.3	GR-1095	
 1x5	GR-1096	Red Green Yellow

Package	Type No.	Color
 1.8x5	GR-1097	Red Green Yellow
 1.5x4	GR-1098	Red Green Yellow

■ LED DISPLAYS

Package	Type No.	Color
 0.7"	GR-1099A	Red Green Yellow Super-Red
5x7	GR-1099C	
 1.2	GR-1100A	Red Green Yellow Super-Red
5x7	GR-1100C	
 2.0	GR-1101A	Red Green Yellow Super-Red
5x7	GR-1101C	
 2.3"	GR-1102A	Red Green Yellow Super-Red
5x8	GR-1102C	
 2x3"	GR-1103A	Red Green Yellow Super-Red
8x8	GR-1103C	