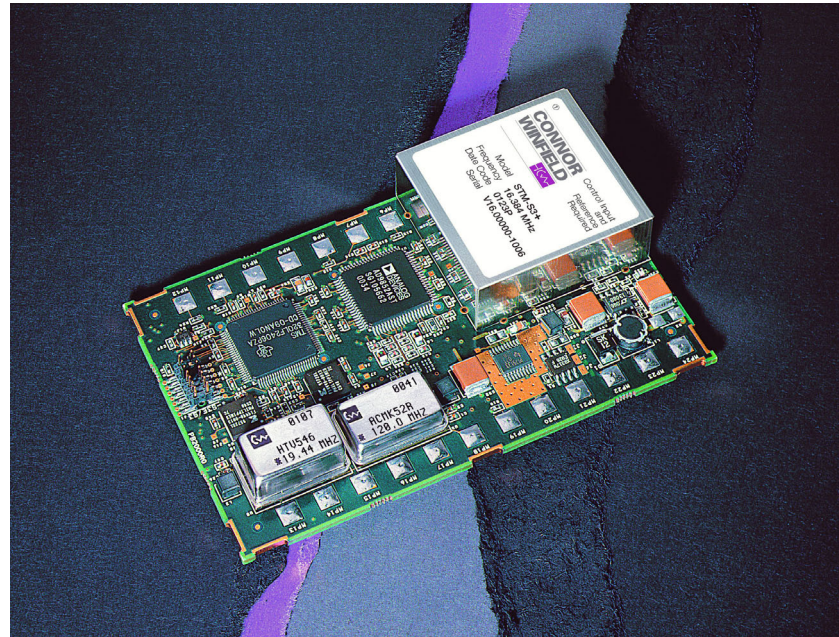


Stratum 3+ Timing Module (STM-S3+, 3.3V)



2111 Comprehensive Drive
Aurora, Illinois 60505
Phone: 630-851-4722
Fax: 630-851-5040
www.conwin.com



Application

The Connor-Winfield Stratum 3+ Simplified Control Timing Module acts as a complete system clock module for Stratum 3+ timing applications in accordance with GR-1244-CORE, Issue 2 and GR-253-CORE, Issue 3.

Connor-Winfield's Stratum 3+ Timing module helps reduce the cost of your design by minimizing your development time and maximizing your control of the system clock with our simplified design.

Features

- Dual Input References
- Hitless Switch Over
- 8 kHz - 38.88 MHz Sync_Out Range
- 8 kHz Independent Output
- ± 39 ppb Composite Hold Over Mode
- Fast Acquisition Mode
- Hold Over Good Indicator
- LOR Alarms
- Reference Frequency Limit Alarm

Bulletin	TM040
Page	1 of 10
Revision	P01
Date	24 Oct 02
Issued By	MBATTS

General Description

Connor-Winfield's STM-S3+ timing module provides Stratum 3+ synchronization for a complete system clock solution in a single module in accordance with GR-1244-CORE Issue 2, and GR-253-CORE Issue 3. The STM-S3+ provides a reliable network element clock reference to line cards used in TDM, PDH, SONET, and SDH application environments. Typical applications include digital cross talks, DSLAMs, ADMs, multiservice platforms, switches and routers.

The STM-S3+ meets ± 39 ppb Hold Over requirements over $0^{\circ} - 70^{\circ}\text{C}$ temperature range. The 3.3V power requirement will draw a maximum of 1.6 A during an initial start-up period and then drop to a typical current of 1.2 A during normal operating conditions. It accepts two 8 kHz input references and can be manufactured to supply a fixed frequency from 8 kHz to 38.88 MHz.

The STM-S3+ offers 4 user selectable modes of operation, Reference 1, Reference 2, Hold Over and Free Run. Mode of operation is selected by two control pins (Table 6). The current mode of operation is also indicated by two status pins (Table 7). Free Run is the default mode if no control signals are asserted on the control pins.

Reference 1 mode and Reference 2 mode are the two primary operating modes. When the module is locked to a valid reference, any time after initial power up or reset, the module is considered to be in the normal operating mode. During normal operation the output frequency is phase locked to the input reference frequency. The offset between the input and output is dependant upon the amount of noise that is present on the reference signal. For input tolerances, refer to Table 4.

Hold Over mode provides a stable frequency that is guaranteed to be within ± 0.039 ppm over the entire temperature range for the first 24 hours after entry into Hold Over. Hold Over is valid 101 seconds after a reference is selected and continues to do a running average every 8 seconds for the next 1049 seconds. Long-term Hold Over values are based on a 1049 second moving window average. Hold Over values are not updated during LOR or during Fast Acquisition mode. Hold Over values are buffered for at least 32 seconds to allow enough time to respond to the RFL alarm.

Free Run is a mode of operation in which the module is not locked to a reference and its output frequency is solely dependent on the initial frequency setting of the internal oscillator. The output frequency in Free Run is guaranteed to be ± 4.6 ppm of the nominal frequency.

Fast Acquisition mode is entered whenever Reference 1 or 2 has been selected. After a new reference has been selected, the module uses internal filtering that limits the frequency movement to less than 2.9 ppm/sec. By 100 seconds the module switches to a slower 0.1Hz filter. While in normal mode, if the phase error is greater than 20 μs , Fast

Acquisition mode will be initiated. Fast Acquisition mode is further described as fast start mode in GR-1244-CORE, Issue 3, sec 3.6.

The STM-S3+ may be reset by asserting a logic low signal to the Reset pin or cycling the power. Using the Reset pin for a manual reset is the recommend method for resetting the module. Resetting the module by cycling the power requires more time due to the restablization of the internal ovenized oscillator.

The STM-S3+ provides the user with non-interruptive Tri-State capabilities. By asserting a logic high signal to the Tri-State pin, the user is able to Tri-State all outputs. While in Tri-State, the module continues normal operations and accepts all normal inputs. When the module is released from Tri-State, all output signals are valid.

The STM-S3+ module provides three output frequencies. The Sync_Out is the primary synchronized output. It is phase locked to the input reference during normal operation and is set to a fixed frequency when operating in Hold Over or Free Run. Clock_Out provides a frequency output that comes from an independent, undisciplined, free running oscillator that is ± 4.6 ppm from the nominal frequency. This output is typically used for reference frequency qualification. The 8 kHz output is derived from the Sync_Out output.

The STM-S3+ module provides a variety of alarm indicators to alert the user to multiple conditions that may affect the overall performance of their system. The LOR (Loss of Reference) alarm indicates that the active reference has been lost. RFL (Reference Frequency Limit) indicates that the Sync_Out frequency is 15 ppm or more from the Free Run frequency.

The Mode Alarm pin is used to indicate that the module is not in a normal operating mode. Conditions that will cause the Mode Alarm to go high are Hold Over, Free Run, or Fast Acquisition Modes. See Table 8 for a full description of input control pins and output indicator pins.

The Hold Over Good pin indicates that an initial average has been acquired to provide a qualified Hold Over frequency. The module requires approximately 101 seconds from any reference switch or mode switch to a new reference to reacquire a valid average before the indicator goes high. Initially, entry into Hold Over prior to this will result in a Free Run frequency. After the first Hold Over Good indication, entry into Hold Over will be the last valid Hold Over frequency.

The STM-S3+ meets the requirements for wander generation and wander transfer as required by GR-1244, sections 5.3 and 5.4. Figures 4, 5 and 6 show typical results. It also complies with phase transient requirements during Reference Rearrangement, Entry into Hold Over, and 1 μs transient.

Absolute Maximum Rating

Table 1

Symbol	Parameter	Minimum	Nominal	Maximum	Units	Notes
V _{CC}	Power Supply Voltage	-0.3		4.0	Volts	1.0, 6.0
V _I	Input Voltage	-0.5		5.5	Volts	1.0
T _s	Storage Temperature	-40		85	deg. C	1.0

Recommended Operating Conditions

Table 2

Symbol	Parameter	Minimum	Nominal	Maximum	Units	Notes
V _{cc}	Power Supply Voltage	3.135	3.3	3.465	Volts	6.0
V _{IH}	High level input voltage - CMOS	2.0		5.5	Volts	
V _{IL}	Low level input voltage - CMOS	0		0.8	Volts	

DC Characteristics

Table 3

Symbol	Parameter	Minimum	Nominal	Maximum	Units	Notes
V _{OH}	High level output voltage, I _{OH} = -4.0mA, V _{CC} = min.	2.4	3.3	3.6	Volts	2.0
V _{OL}	Low level output voltage, I _{OL} = 8.0mA, V _{CC} = max.			0.4	Volts	

Specifications

Table 4

Parameter	Specifications	Notes
Frequency Range (Sync_Out)	8 kHz - 38.88 MHz	
Frequency Range (Clk_Out)	8 kHz - 51.84 MHz	
Supply Current	1.2 A typical, 1.6 A during warm-up (Maximum)	
Timing Reference Inputs	GR-1244-CORE 3.2.1	
Jitter, Wander and Phase Transient Tolerances	GR-1244-CORE 4.2-4.4, GR-253-CORE 5.4.4.3.6	
Wander Generation	GR-1244-CORE 5.3, GR-253-CORE 5.4.4.3.2	
Wander Transfer	GR-1244-CORE 5.4	
Jitter Generation	GR-1244-CORE 5.5, GR-253-CORE 5.6.2.3	
Jitter Transfer	GR-1244-CORE 5.5, GR-253-CORE 5.6.2.1	
Phase Transients	GR-1244-CORE 5.6, GR-253-CORE 5.4.4.3.3	
Sync_Out (Pin #15) Free Run Accuracy	±4.6 ppm over temperature range	
Clock_Out (Pin #18) Accuracy	±4.6 ppm over temperature range	
Hold Over Stability	±0.012 ppm (±5°C), ±0.039 ppm (0°C - 70°C)	3.0
Initial Offset	±0.001 ppm	±0.001 ppm
Temperature	±0.010 ppm	±0.035 ppm
Drift	±0.001 ppm	±0.003 ppm
Maximum Hold Over History	1049 seconds	
Minimum Time for Hold Over	101 seconds after a reference rearrangement	
Pull-in/ Hold-in Range	±17 ppm from Free Run frequency	4.0
Lock Time	100 sec.	
Lock Accuracy	0.01 ppm (GR-1244-CORE 2.8)	5.0
RFL Alarm Limit	±15 ppm from Free Run frequency	

NOTES:

1.0: Stresses beyond those listed under Absolute Maximum Rating may cause damage to the device. Operation beyond Recommended Conditions is not implied.

2.0: Logic is 3.3V CMOS

3.0: Hold Over stability is the cumulative fractional frequency offset as described by GR-1244-CORE, 5.2

4.0: Pull-in Range is the maximum frequency deviation from nominal clock rate on the reference inputs to the timing module that can be overcome to pull into synchronization with the reference

5.0: After 100 seconds at stable temperature (±5° F)

6.0: 5.0 V module also available



Pin Description

Table 5

Pin #	Connection	Description
1	Status 0	Mode indicator.
2	Status 1	Mode indicator.
3	LOR	Loss of Reference indicator. 1 = active reference has been lost.
4	Future Use	Reserved for future use. Do not assert this pin.
5	GND	Ground
6	8 kHz Output	Derived from Sync_Out.
7	Reset	Master reset for the module. A low pulse will reset the module. A logic low for a minimum of 1 μ s is recommended to ensure a complete reset. This pin is pulled high internally.
8	Tri-State	Tri-State control for all outputs. 1 = Hi-Z condition, 0 = Normal operation. Pin is pulled low internally.
9	Hold Over Good	Indicates that the module has acquired enough data to provide an average Hold Over value.
10	Mode Alarm	Alarm indicator output. 1 = Alarm condition, 0 = Normal operation.
11	CNTL A	Mode control input. Pin is pulled low internally.
12	CNTL B	Mode control input. Pin is pulled low internally.
13	RFL	Reference frequency limit alarm for the phase locked loop. 1= Unit is \pm 15 ppm from Free Run freq.
14	GND	Ground
15	Sync_Out	System clock output
16	Future Use	Reserved for future use. Do not assert this pin
17	GND	Ground
18	Clock_Out	An independent, Stratum 3 clock output with the required \pm 4.6 ppm accuracy. May be used as general purpose clock
19	Future Use	Reserved for future use. Do not assert this pin
20	GND	Ground
21	External Reference 2	External reference #2 input
22	GND	Ground
23	External Reference 1	External reference #1 input
24	+3.3 V _{DC}	+3.3 Volt DC supply

Control Inputs

Table 6

CNTL B	CTNL A	Mode Selected
0	0	Free Run
0	1	Reference 1
1	0	Reference 2
1	1	Hold Over

Status Outputs

Table 7

Status 1	Status 0	Mode
0	0	Free Run
0	1	Reference 1
1	0	Reference 2
1	1	Hold Over

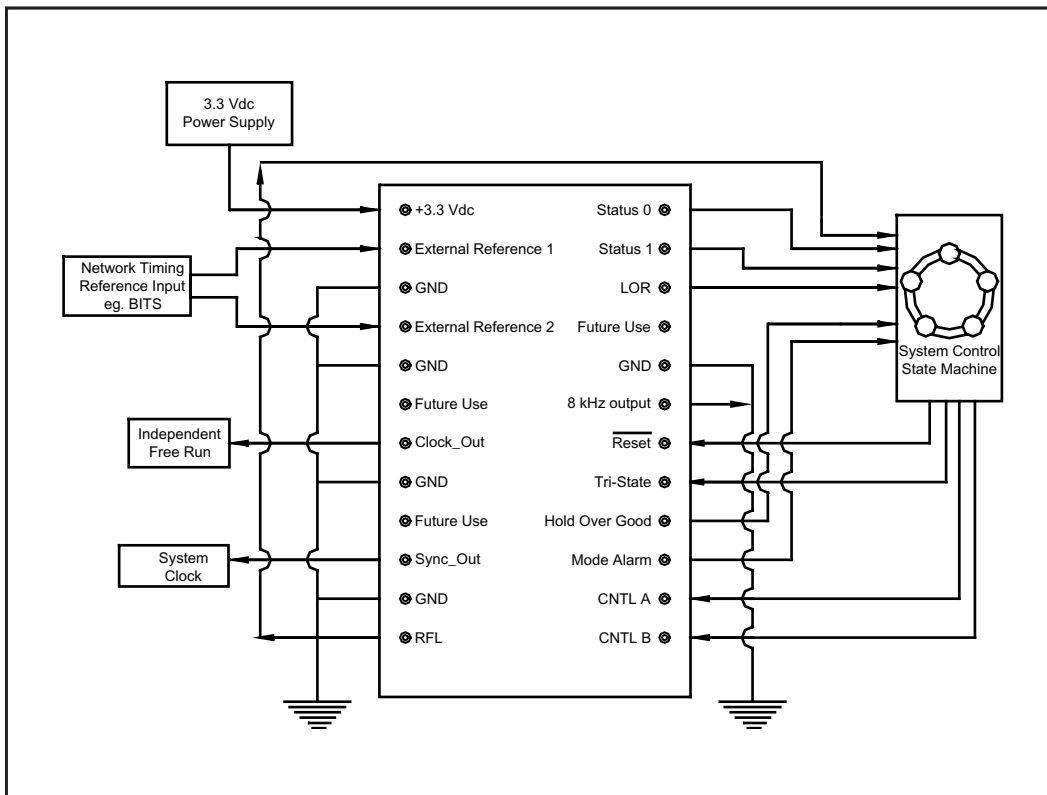
Pin Assignment

Figure 1

+3.3Vdc	⊙ 24	1 ⊙	Status 0
External Reference 1	⊙ 23	2 ⊙	Status 1
GND	⊙ 22	3 ⊙	LOR
External Reference 2	⊙ 21	4 ⊙	Future Use
GND	⊙ 20	5 ⊙	GND
Future Use	⊙ 19	6 ⊙	8 kHz output
Clock_Out	⊙ 18	7 ⊙	Reset
GND	⊙ 17	8 ⊙	Tri-State
Future Use	⊙ 16	9 ⊙	Hold Over Good
Sync_Out	⊙ 15	10 ⊙	Mode Alarm
GND	⊙ 14	11 ⊙	CNTL A
RFL	⊙ 13	12 ⊙	CNTL B

Typical Application Setup

Figure 2



Functional Truth Table

Table 8

CNTLB	CNTLA	Mode	Status1	Status0	Alarm	RFL	LOR	Condition
0	0	Free Run	0	0	1	0	0	
0	0	Free Run	0	0	1	1	0	
0	1	Reference #1	0	1	0	0	0	Normal Operation
0	1	Reference #1	0	1	1	0	0	Unit is in Fast Acquire mode
0	1	Reference #1	0	1	0	1	0	Output freq. is 15 ppm or more from Free Run mode freq.
0	1	Reference #1	0	1	0	0	1	Selected reference signal is not detected and unit is in pseudo-Hold Over*
1	0	Reference #2	1	0	0	0	0	Normal Operation
1	0	Reference #2	1	0	1	0	0	Unit is in Fast Acquire mode
1	0	Reference #2	1	0	0	1	0	Output freq. is 15 ppm or more from Free Run mode freq.
1	0	Reference #2	1	0	0	0	1	Selected reference signal is not detected and unit is in pseudo-Hold Over*
1	1	Hold Over	1	1	1	0	0	
1	1	Hold Over	1	1	1	1	0	

*Pseudo-Hold Over is a condition when the module is no longer tracking a reference and is holding the last output that was sent to the Sync_Out pin. Variations in the output frequency are due only to the drift of the OCXO.

Ordering Information

STM-S3+ -L- (Input Reference Frequency)(Clock_Out Frequency)-(Sync_Out)

Nothing = 5V
L = 3.3V

8= 8 kHz
S= Other

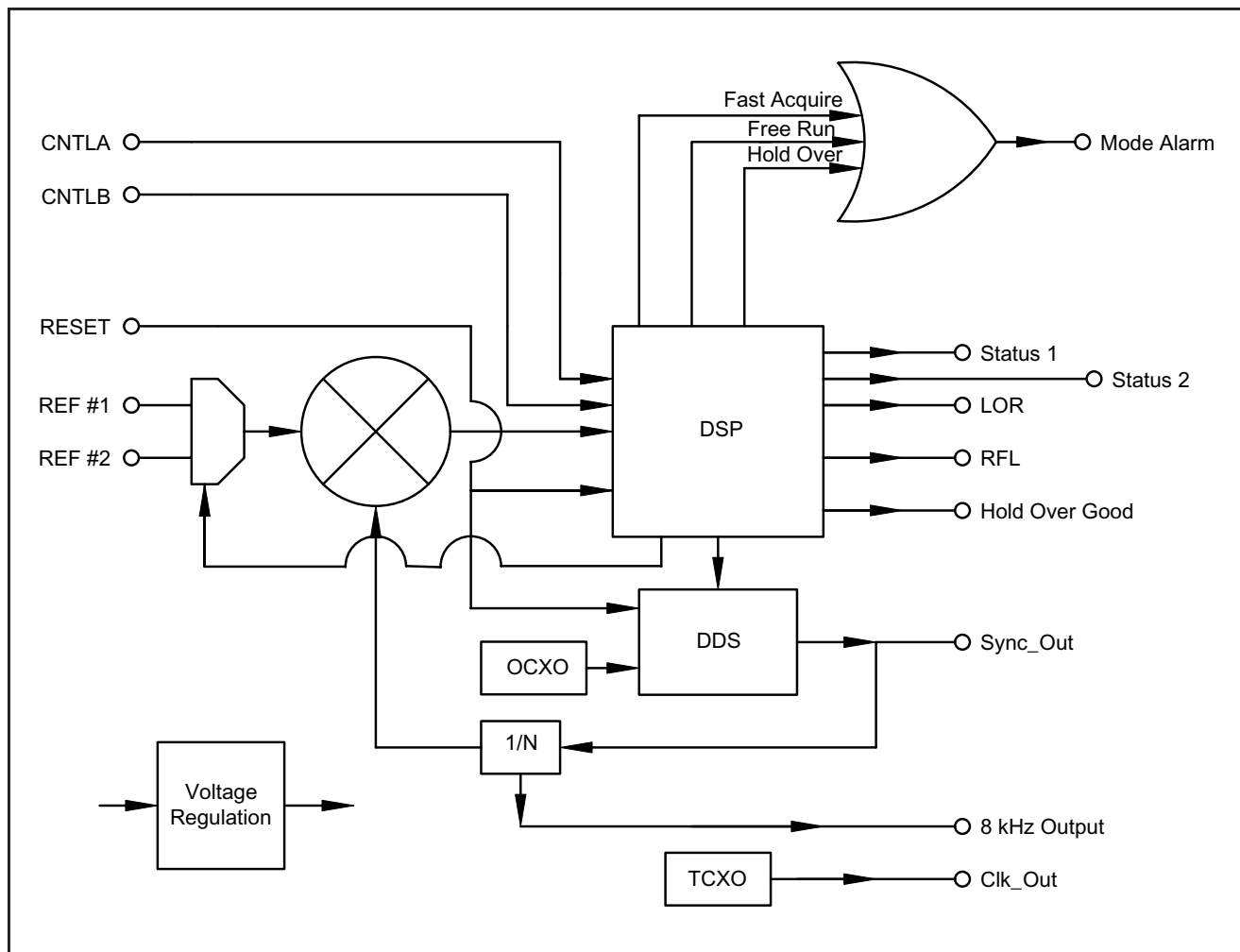
N= No output
2= 2.048 MHz
5= 51.84 MHz
8= 8 kHz
9= 19.44 MHz
S= Other

02.048M = 2.048MHz
016.384M = 16.384 MHz
032.768M = 32.768 MHz
038.88 M = 38.88 MHz
008.00K = 8 kHz

Example: MSTM-S3+ -L-88-008.00K

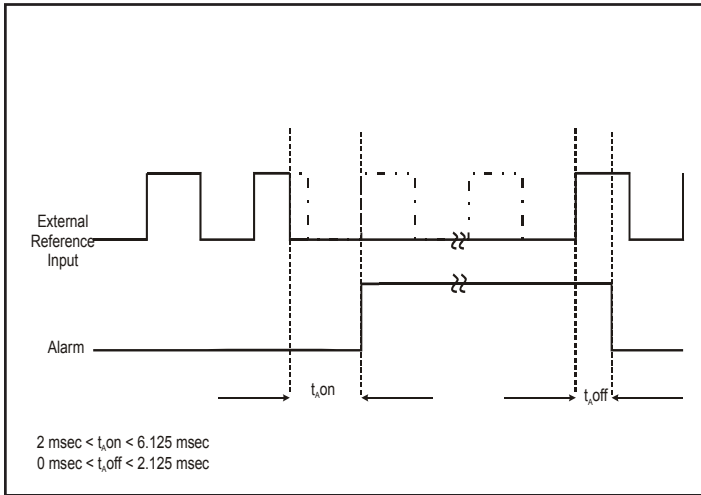
Functional Block Diagram

Figure 3



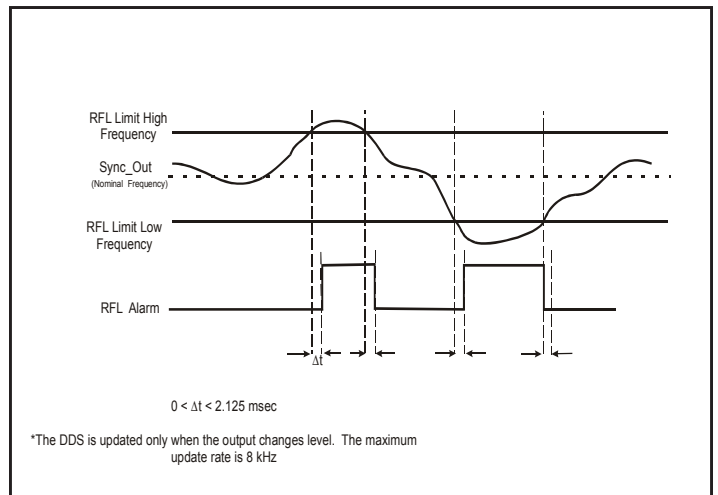
Loss of Reference Timing

Figure 4



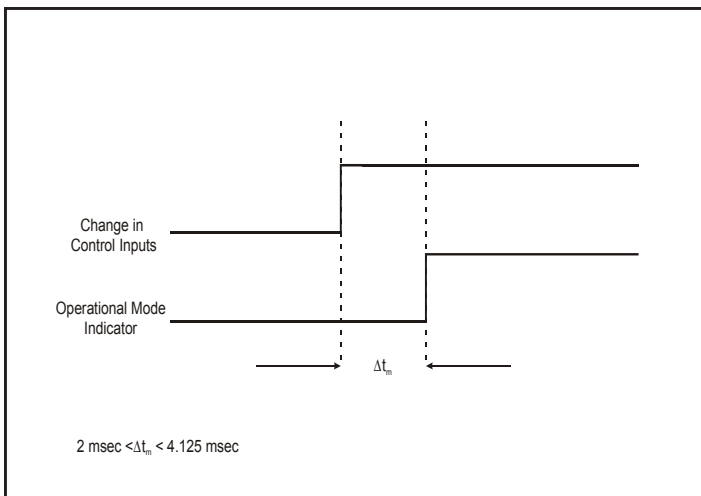
RFL Alarm Timing

Figure 5



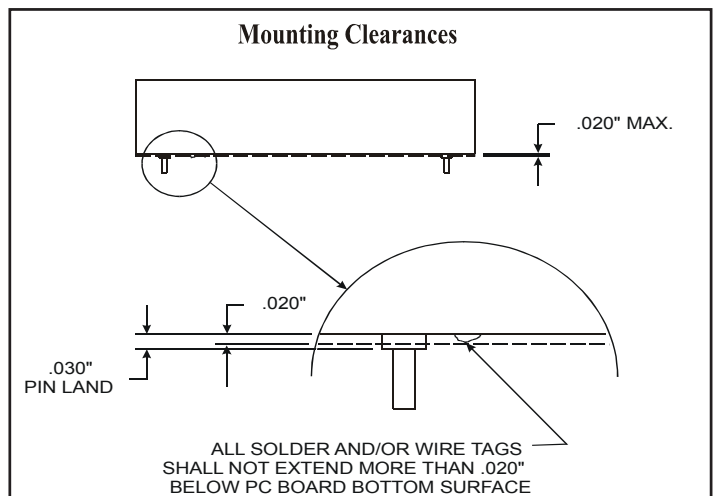
Mode Switch Timing

Figure 6



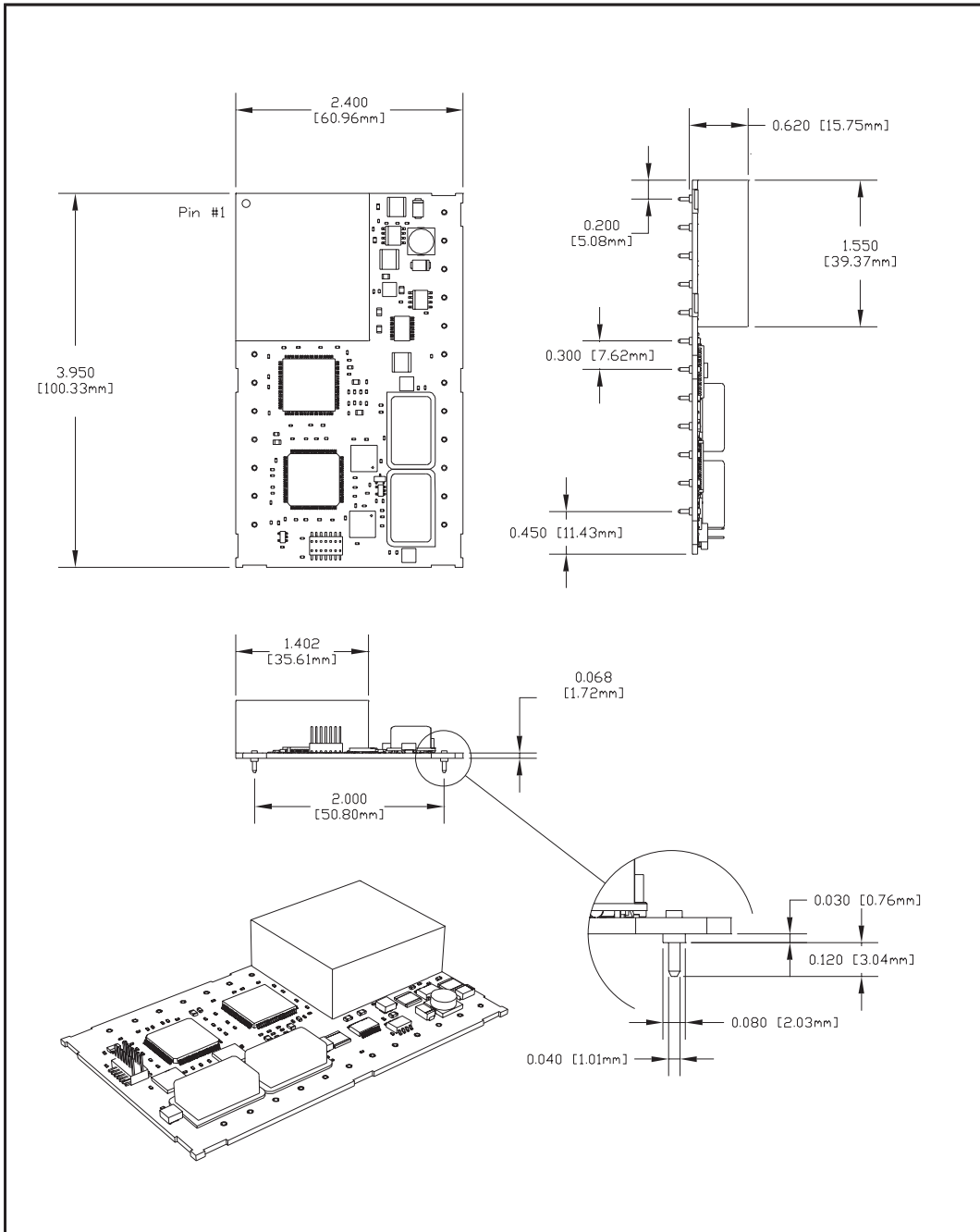
Mounting Clearance Dimensions

Figure 7



Package Dimensions

Figure 8





2111 Comprehensive Drive
Aurora, Illinois 60505
Phone: 630-851-4722
Fax: 630-851-5040
www.conwin.com

Revision #	Revision Date	Notes
P00	7/26/02	Preliminary informational release
P01	10/24/02	Added ordering information
