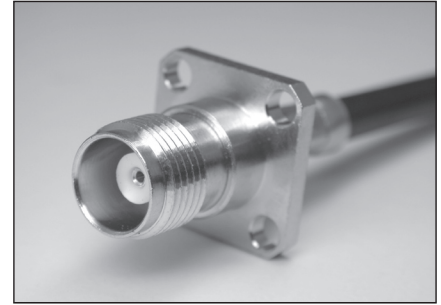
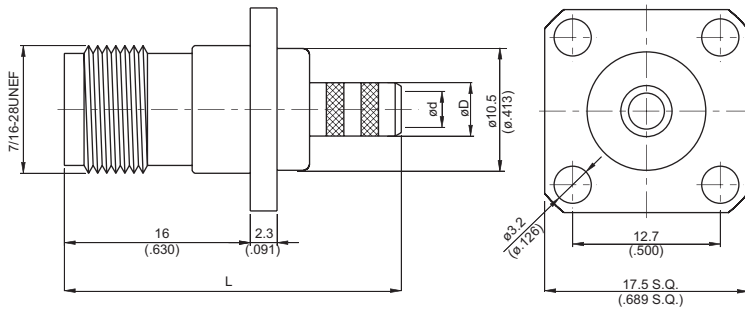
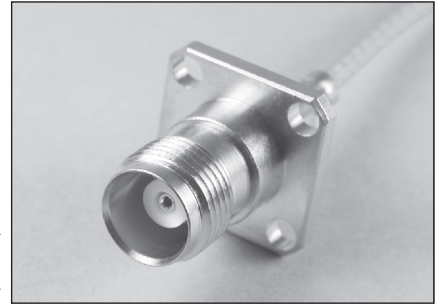
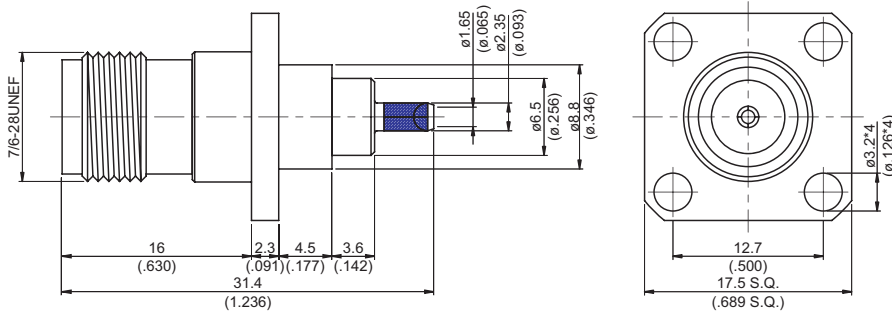


► **TNC JACK CRIMP FOR PANEL RECEPTACLE**



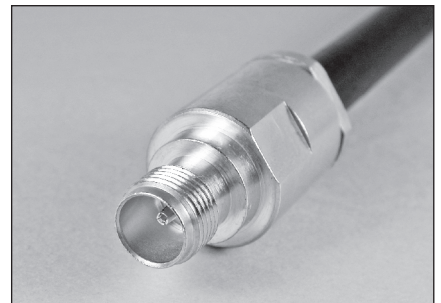
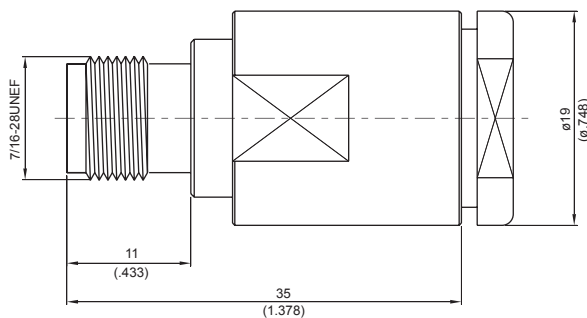
Part Number	Measurements	M.H.	Weight	Material	Suitable Cables	Remarks
TNC8146-0058	L=29 (1.142) ød=3.1 (.122) øD=4.4 (.173)	23	13.74g	C2	RG58, JBY195	
TNC8146-0059	L=29 (1.142) ød=3.9 (.154) øD=5.6 (.220)	23		C2	RG59	Impedance=75ohm
TNC8146-0122	L=27.5 (1.083) ød=2.7 (.106) øD=3.8 (.150)	23	12.8g	C2	RG122	
TNC8146-0142	L=29 (1.142) ød=3.1 (.122) øD=4.4 (.173)	23	13.18g	C2	RG55, RG142, RG142-E, RG400	
TNC8146-0142/G	L=29 (1.142) ød=3.1 (.122) øD=4.4 (.173)	23		C1	RG55, RG142, RG142-E, RG400	G= Gold Plated Body
TNC8146-0223	L=29 (1.142) ød=3.1 (.122) øD=4.4 (.173)	23	13.18g	C2	RG223	

► **TNC JACK CRIMP FOR PANEL RECEPTACLE**



Part Number	M.H.	Weight	Material	Suitable Cables	Remarks
TNC8146-0179	23	13.26g	C2	RG179, RG179-FEP	Impedance=75ohm
TNC8146-0316	23	12.79g	C2	RG174, RG188, RG316, RG316-E, RG316-FEP, JBY100	

► **TNC JACK CLAMP**



Part Number	Weight	Material	Suitable Cables	Remarks
TNC8200B-0011	41g	C2	RG11	Impedance=75ohm
TNC8200B-0214		C2	RG214	

TNC