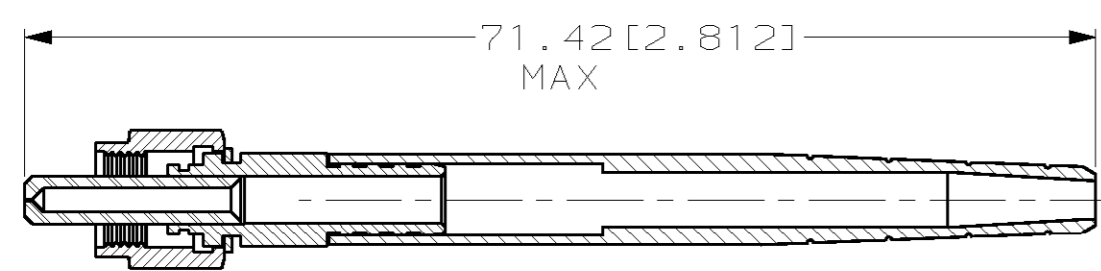
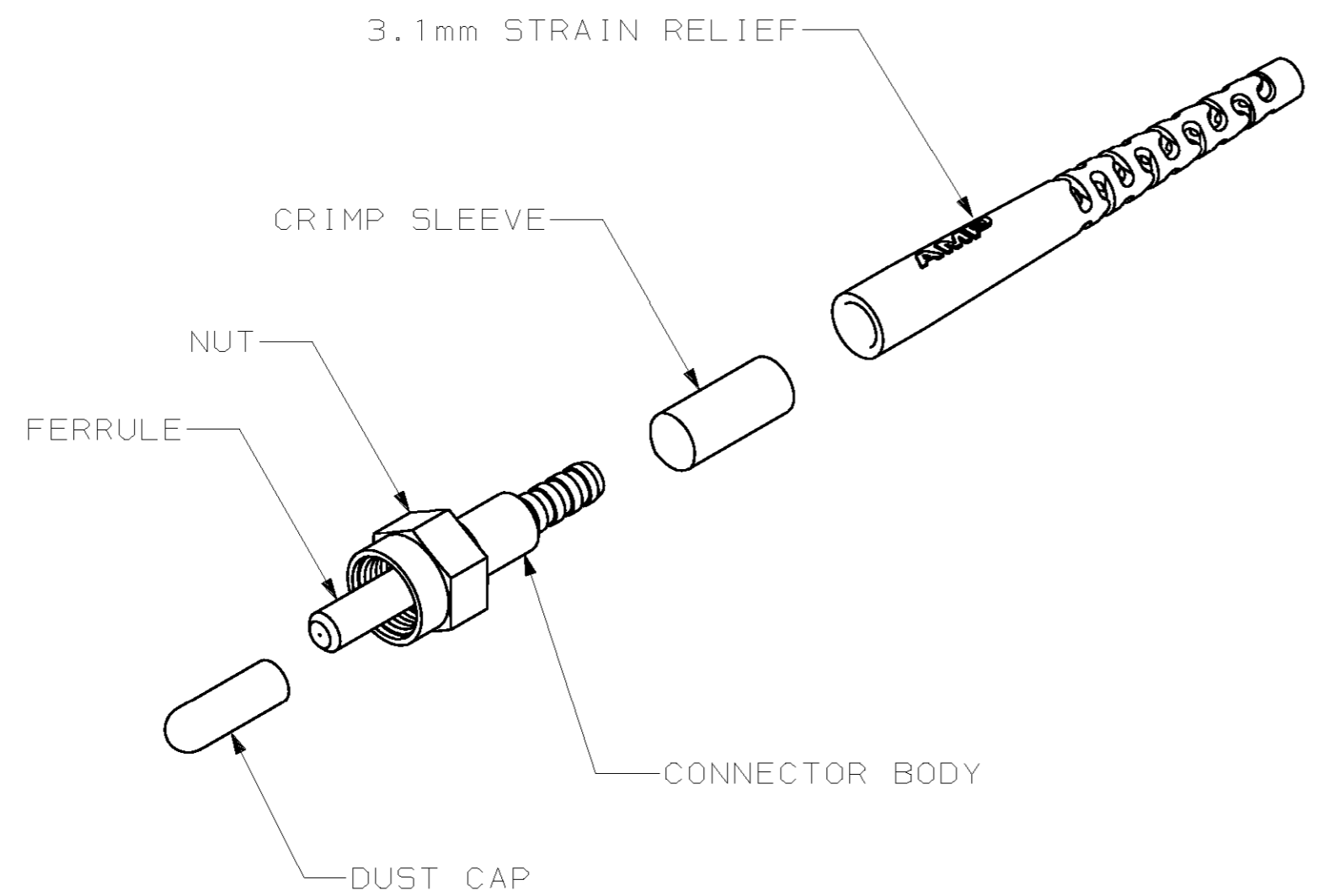


THIS DRAWING IS UNPUBLISHED. RELEASED FOR PUBLICATION .19
 © COPYRIGHT 19 BY AMP INCORPORATED. ALL RIGHTS RESERVED.

LOC	DIST	REVISIONS			
P	LTR	DESCRIPTION	DATE	DWN	APVD
CE	16	D	REV AND REDRAWN PER EC 0A00-0029-99	24DEC99	TG 5B



- 1 MATERIAL:
- a) FERRULE-STAINLESS STEEL
 - b) CONNECTOR BODY-STAINLESS STEEL
 - c) NUT-STAINLESS STEEL
 - d) CRIMP SLEEVE-COPPER ALLOY
 - e) STRAIN RELIEF-THERMOPLASTIC ELASTOMER, COLOR: BLACK
 - f) DUST CAP-VINYL, COLOR: RED

- 2 FINISH:
- a) CRIMP SLEEVE-NICKEL PLATE

3 BULK PACKAGED 50 PER UNIT

	FIBER HOLE SIZE	PART NUMBER
OBSOLETE	380µm	3-504569-5
OBSOLETE	125µm	3-504569-4
OBSOLETE	.082in	3-504569-3
OBSOLETE	.065in	3-504569-2
OBSOLETE	.047in	3-504569-1
OBSOLETE	.046in	3-504569-0
OBSOLETE	.042in	2-504569-9
OBSOLETE	.039in	2-504569-8
OBSOLETE	860µm	2-504569-7
OBSOLETE	641µm	2-504569-6
OBSOLETE	640µm	2-504569-5
OBSOLETE	600µm	2-504569-4
OBSOLETE	500µm	2-504569-3
OBSOLETE	470µm	2-504569-2
OBSOLETE	460µm	2-504569-1
OBSOLETE	450µm	2-504569-0
OBSOLETE	436µm	1-504569-9
OBSOLETE	410µm	1-504569-8
OBSOLETE	400µm	1-504569-7
OBSOLETE	350µm	1-504569-6
OBSOLETE	340µm	1-504569-5
OBSOLETE	336µm	1-504569-4
OBSOLETE	320µm	1-504569-3
OBSOLETE	280µm	1-504569-2
OBSOLETE	270µm	1-504569-1
OBSOLETE	267µm	1-504569-0
OBSOLETE	250µm	504569-9
OBSOLETE	240µm	504569-8
OBSOLETE	231µm	504569-7
OBSOLETE	229µm	504569-6
OBSOLETE	200µm	504569-5
OBSOLETE	170µm	504569-4
OBSOLETE	145µm	504569-3
OBSOLETE	140µm	504569-2
OBSOLETE	125µm	504569-1

THIS DRAWING IS A CONTROLLED DOCUMENT.		DWN P. YEAGER 1-18-93	AMP Incorporated Harrisburg, PA 17105-3608
DIMENSIONS: mm (INCHES)		CHK R. HILEMAN 1-27-93	
TOLERANCES UNLESS OTHERWISE SPECIFIED:		APVD S. BUCHTER 1-27-93	
0 PLC ±- 1 PLC ±- 2 PLC ±- 3 PLC ±- 4 PLC ±- ANGLES ±- FINISH 2		NAME	
MATERIAL 1		PRODUCT SPEC -	CONNECTRO KIT, SMA 905 SST FRONT BODY, SST REAR BODY, 3.1mm CABLE
		APPLICATION SPEC -	SIZE A2
		WEIGHT -	CAGE CODE 00779
		CUSTOMER DRAWING	DRAWING NO C-504569
			RESTRICTED TO -
			SCALE 2:1 SHEET 1 OF 1 REV D