

Direct Conversion 4FSK Data Receiver Target Specification

DS4760 - 1.2 August 1997

The ZIF100 IC is a direct conversion receiver. The device provides the functions required for the reproduction of I and Q from either 2FSK or 4FSK transmission.

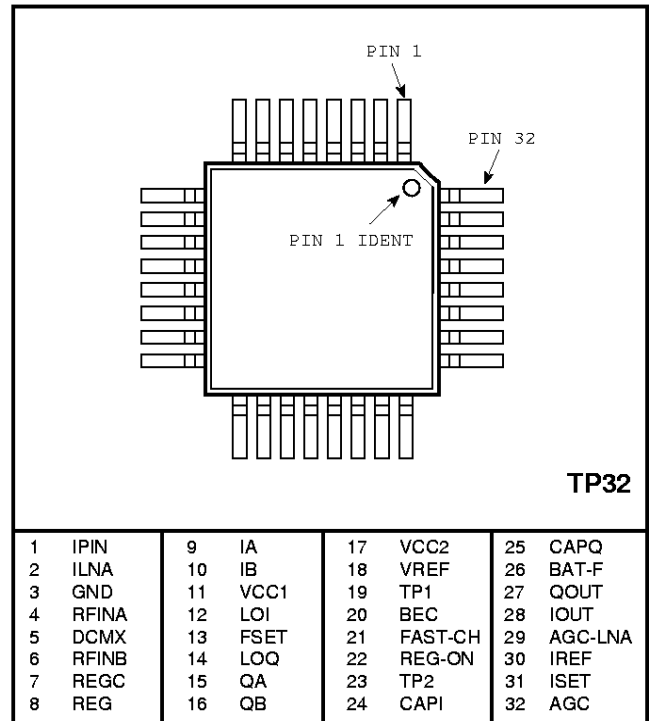
Adjacent channel rejection is provided using programmable channel filters. RF and Audio AGC functions assist operation when large interfering signals are present. The ZIF100 also includes an on chip 1 volt regulator function capable of sourcing up to 3mA and a battery flag function. Both the I and Q channel outputs and battery flag have open collector outputs to ease their interface with other devices.

FEATURES

- Low Power Consumption - most of the device is powered directly from a single cell to minimise the power consumed
- Very Competitive Sensitivity Performance
- Programmable Channel Filtering
- 1 Volt Regulator and 1.25 Volt Reference Voltage with Pre-wakeup Mode
- Wide Range Automatic Gain Control (AGC) including Mixer Overload Protection
- Battery Economy Function
- 1mm Thick TQFP Package
- Programmable LNA Current Source

APPLICATIONS

- Pagers - including small form factor designs such as credit card pagers, watch pagers and PCMCIA applications
- Low data rate receivers - security/remote control



ABSOLUTE MAXIMUM RATINGS

Supply Voltage	4V
Storage temperature	-55°C to +150°C
Operating temperature	-20°C to +70°C

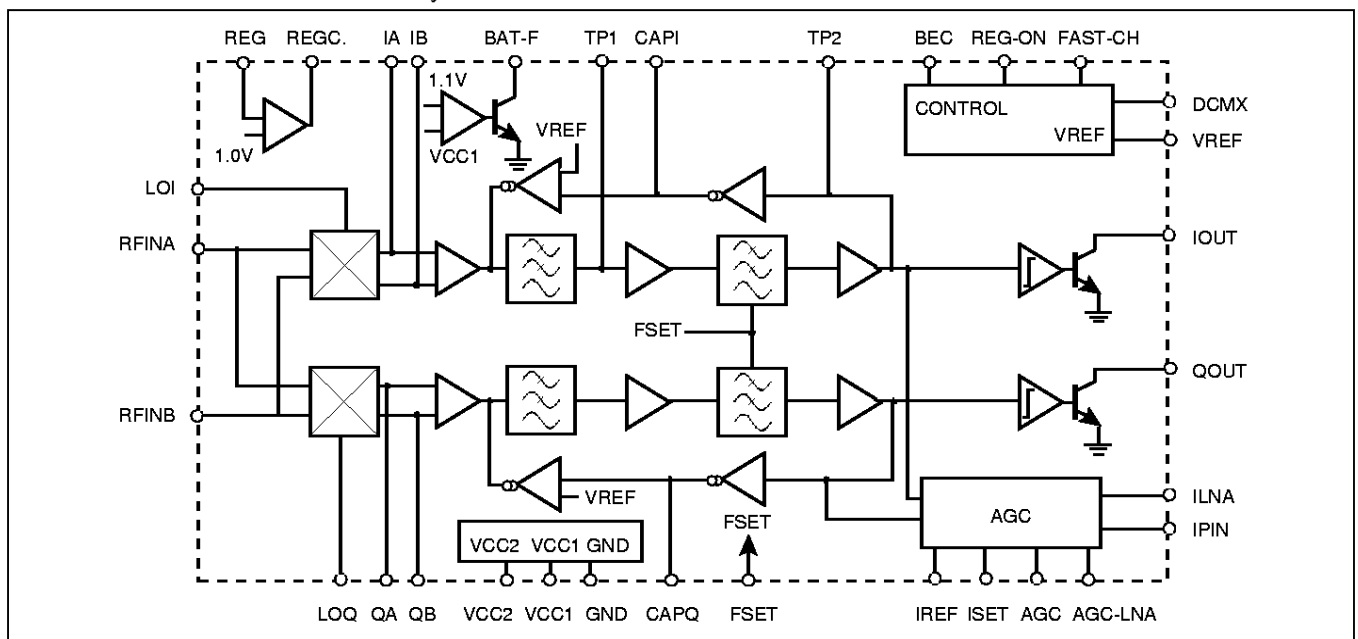
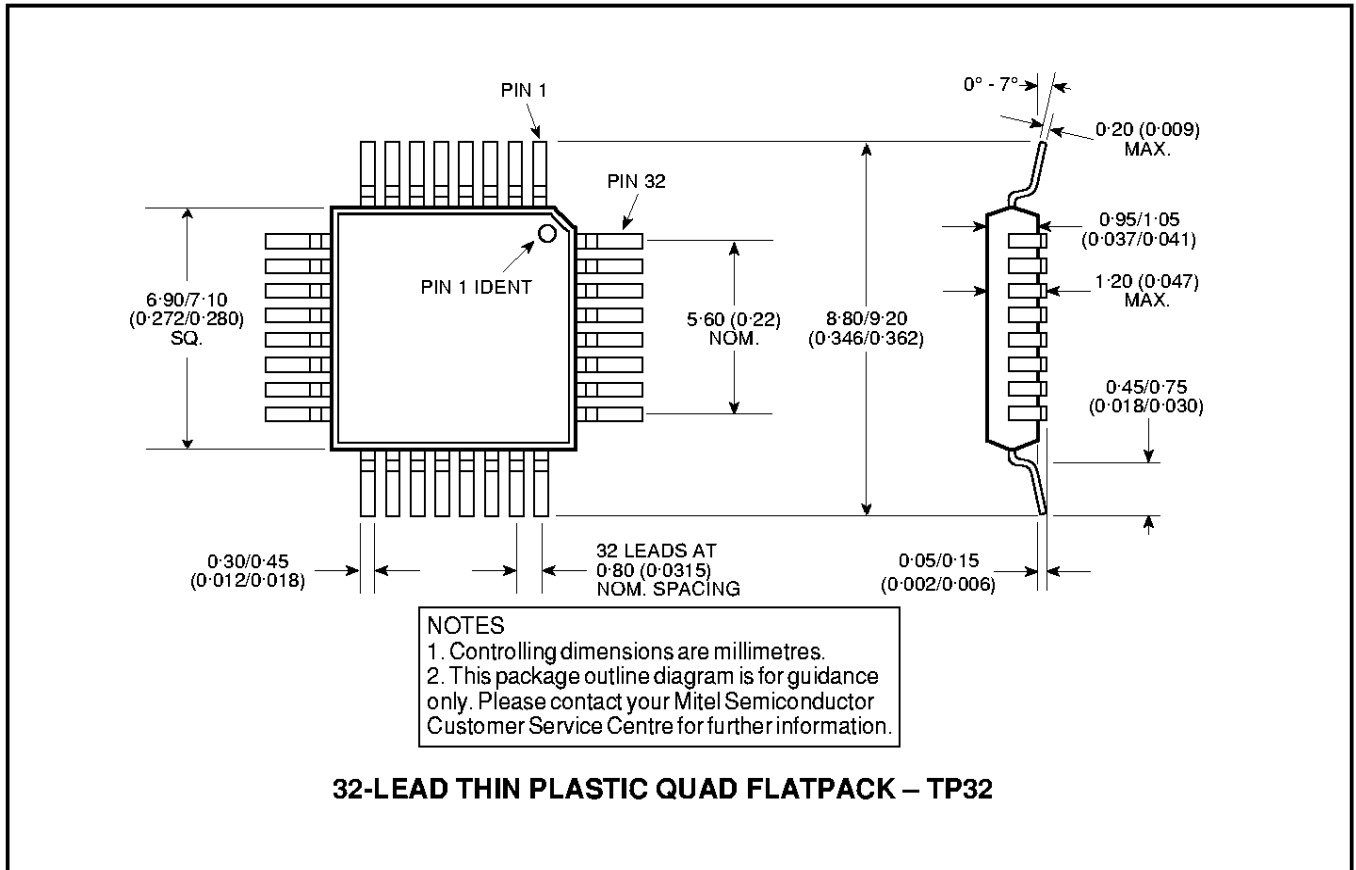


Fig.2 ZIF100 block diagram

ZIF100

PACKAGE DETAILS

Dimensions are shown thus: mm (in). For further package information, please contact your local Customer Service Centre.



HEADQUARTERS OPERATIONS
MITEL SEMICONDUCTOR
Cheney Manor, Swindon,
Wiltshire SN2 2QW, United Kingdom.
Tel: (01793) 518000
Fax: (01793) 518411

MITEL SEMICONDUCTOR
1500 Green Hills Road,
Scotts Valley, California 95066-4922
United States of America.
Tel (408) 438 2900
Fax: (408) 438 5576/6231

Internet: <http://www.gpsemi.com>

CUSTOMER SERVICE CENTRES

- **FRANCE & BENELUX** Les Ulis Cedex Tel: (1) 69 18 90 00 Fax: (1) 64 46 06 07
- **GERMANY** Munich Tel: (089) 419508-20 Fax: (089) 419508-55
- **ITALY** Milan Tel: (02) 6607151 Fax: (02) 66040993
- **JAPAN** Tokyo Tel: (03) 5276-5501 Fax: (03) 5276-5510
- **KOREA** Seoul Tel: (2) 5668141 Fax: (2) 5697933
- **NORTH AMERICA** Scotts Valley, USA Tel: (408) 438 2900 Fax: (408) 438 5576/6231
- **SOUTH EAST ASIA** Singapore Tel: (65) 3827708 Fax: (65) 3828872
- **SWEDEN** Stockholm Tel: 46 8 702 97 70 Fax: 46 8 640 47 36
- **TAIWAN, ROC** Taipei Tel: 886 2 25461260 Fax: 886 2 271 90260
- **UK, EIRE, DENMARK, FINLAND & NORWAY**
Swindon Tel: (01793) 726666 Fax: (01793) 518582

These are supported by Agents and Distributors in major countries world-wide.

© Mitel Corporation 1998 Publication No. DS4760 Issue No. 1.2 August 1997

TECHNICAL DOCUMENTATION – NOT FOR RESALE. PRINTED IN UNITED KINGDOM

This publication is issued to provide information only which (unless agreed by the Company in writing) may not be used, applied or reproduced for any purpose nor form part of any order or contract nor to be regarded as a representation relating to the products or services concerned. No warranty or guarantee express or implied is made regarding the capability, performance or suitability of any product or service. The Company reserves the right to alter without prior notice the specification, design or price of any product or service. Information concerning possible methods of use is provided as a guide only and does not constitute any guarantee that such methods of use will be satisfactory in a specific piece of equipment. It is the user's responsibility to fully determine the performance and suitability of any equipment using such information and to ensure that any publication or data used is up to date and has not been superseded. These products are not suitable for use in any medical products whose failure to perform may result in significant injury or death to the user. All products and materials are sold and services provided subject to the Company's conditions of sale, which are available on request.

All brand names and product names used in this publication are trademarks, registered trademarks or trade names of their respective owners.