

MB85103

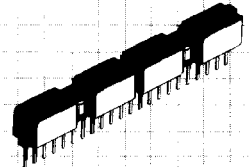
■ MB85103A-12, MB85103A-15

MOS 65,536 x 8-Bit
Dynamic RAM Module

Description

The Fujitsu MB85103A is a 64K x 8 dynamic RAM high density memory module. It consists of eight MB8264A DRAMs in 18-pad LCC packages mounted on a 22-pin multilayer ceramic substrate.

The MB85103A is intended for use in memory applications in which large amounts of memory are required in a compact space or in which board space is limited. Significant size reduction can be realized in applications such as mainframe memory, buffer memory, desktop computers and peripheral storage.

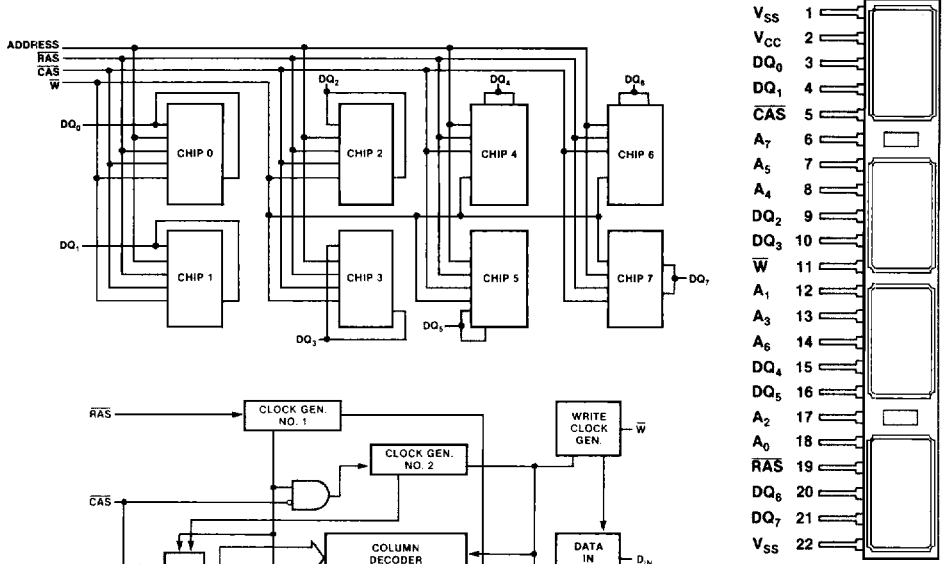


Features

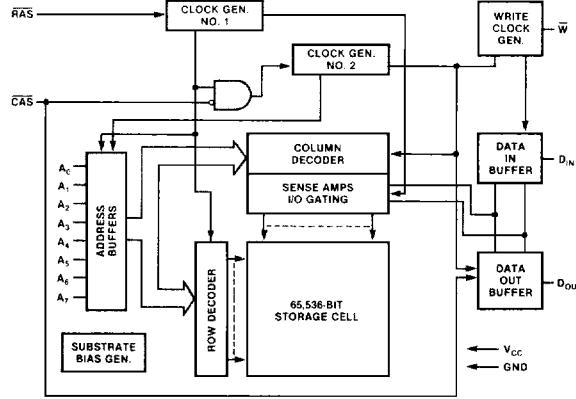
- 65,536 x 8-bit DRAM module
- Row Access Time
 - 120 ns max. (MB85103A-12)
 - 150 ns max. (MB85103A-15)
- Cycle Time
 - 230 ns min. (MB85103A-12)
 - 260 ns min. (MB85103A-15)
- Single +5 V supply, $\pm 10\%$ tolerance
- Low power (active)
 - 1980 mW max. (MB85103A-12)
 - 1760 mW max. (MB85103A-15)
 - 176 mW max. (standby)
- 2 ms/128 cycle refresh
- RAS-only and Hidden refresh capability
- Page Mode capability
- Common I/O
- Output unlatched at cycle end allows extended page boundary and two dimensional chip selects.
- On-chip latches for Addresses and Data-in

MB85103A-12
MB85103A-15

MB85103 Block Diagram and Pin Assignment



Block Diagram for Each Chip



Package Dimensions
 Dimensions in inches
 (millimeters)

22-Lead Single In-Line Package
 (Module MDL-22S-CC02)

