

MATERIAL AND FINISH:

Insulator: PBT, UL 94 V-0 rated
 Socket case: Stainless steel, Nickel plated
 Contact terminal: Brass, Tin Plated
 Earth terminal: Phosphor bronze, Tin plated
 Rivet: Aluminum, Nickel plated

ELECTRICAL SPECIFICATIONS:

Contact resistance: 20 mohm max.
 Insulation resistance: 300 Mohm min. @ 500 V
 Dielectric withstanding voltage: 1000VAC for 1 minute

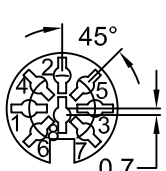
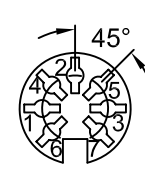
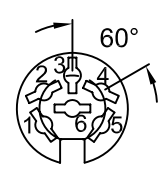
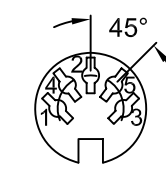
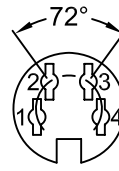
MECHANICAL SPECIFICATIONS:

Insertion force: 4.0 KG max.
 Withdrawal force: 1-3.5 KG

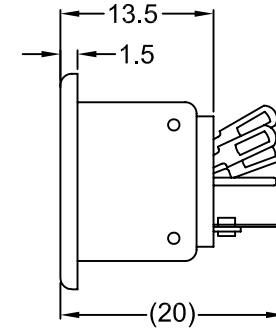
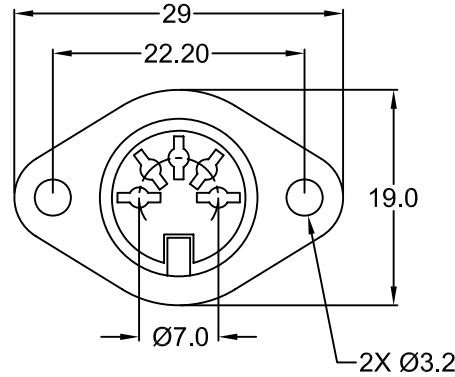
NOTES:

- DS-005 shown
- DS-004 solder terminals are straight

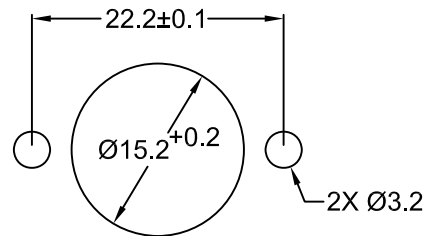
Arrangement
of contacts
mating face



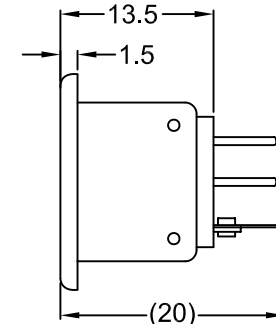
No of contacts	4	5	6	7	8
P/N	DS-004	DS-005	DS-006	DS-007	DS-008



DS-005 ~ DS-008



RECOMMENDED
PANEL CUTOUT



DS-004

REV	DATE	CHANGE	CHNG CHECK		APPR	
			TD	PB	PB	PB
A	3/1/02	REVISED & UPDATED	PB	TD	PB	PB
B	7/26/02	ADD SIDE VIEW DS-004	PB	TD	PB	PB
C	11/20/02	REVISED	TD	PB	PB	PB
D	6/27/08	ADD ROHS	PB			

RoHS
COMPLIANT

TOLERANCE UNLESS OTHERWISE SPECIFIED	
X	± 1
X.X	± 0.4
X.XX	± 0.20
DRAWN BY	DT
DATE:	11/7/00
CHECK BY	JJ
DATE:	11/7/00
APPR BY	SS
DATE:	11/7/00

Power Dynamics, Inc.
 Phone: 973 560-0019 Whippany, New Jersey Fax: 973 560-0076

PART: 4~8 POSITION; DIN SOCKET
 PANEL MOUNT

DS-00X

SIZE: A
 SCALE: NTS

ALL DIMENSIONS FOR REFERENCE ONLY
 DIMENSIONS ARE IN MILLIMETERS

SHEET 1 of 1
 REV: D

6

5

4

3

2

1

MATERIAL AND FINISH:

Insulator: PBT, UL 94 V-0 rated
 Socket case: Stainless Steel, Nickel plated
 Contact terminal: Brass, Tin plated
 Earth terminal: Phosphor Bronze, Tin plated
 Rivet: Aluminum, Nickel plated

ELECTRICAL SPECIFICATIONS:

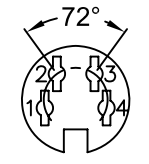
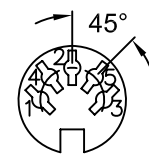
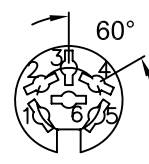
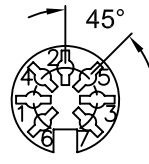
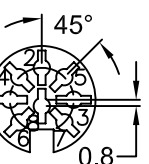
Contact resistance: 20 mohm max
 Insulation resistance: 300 Mohm min @ 500VDC
 Dielectric withstanding voltage: 1000VAC for 1 minute

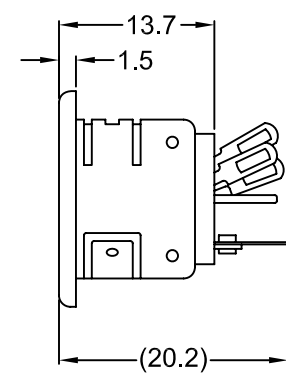
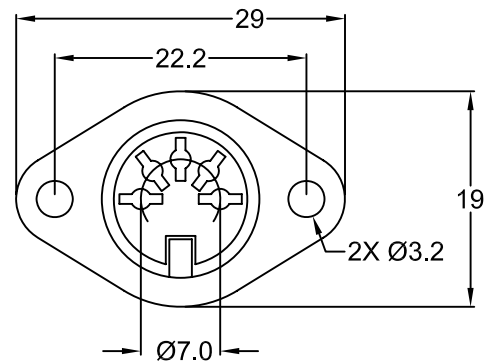
MECHANICAL SPECIFICATIONS:

Insertion force: 4.0kg max
 Withdrawal force: 1 ~ 3.5kg
 Recommended panel thickness: 1.0mm

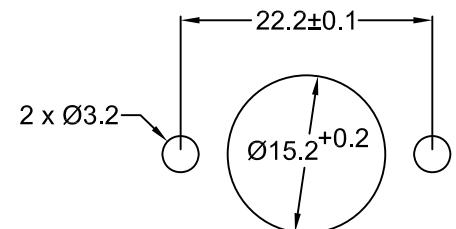
NOTES:

- DS-045 shown
- DS-044 solder terminals are straight

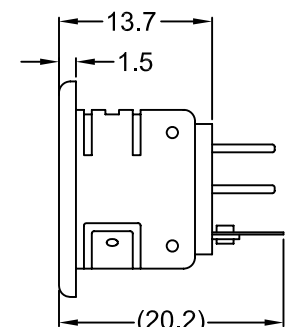
Arrangement of contacts mating face					
No of Contacts	4	5	6	7	8
P/N	DS-044	DS-045	DS-046	DS-047	DS-048



DS-045 ~ DS-048



RECOMMENDED PANEL CUT-OUT (REAR MOUNTING ONLY)



DS-044

RoHS COMPLIANT

TOLERANCE UNLESS OTHERWISE SPECIFIED	
X	± 1
X.X	± 0.4
X.XX	± 0.20
DRAWN BY	TD
DATE:	02/24/99
CHECK BY	JJ
DATE:	02/24/99
APPR BY	SS
DATE:	02/24/99

Power Dynamics, Inc.
 Phone: 973 560-0019 Whippany, New Jersey Fax: 973 560-0076

PART: 4 ~ 8 PIN DIN SOCKET
 PANEL MOUNT

PART #: **DS-04X**

SIZE: A
 SCALE: NTS

ALL DIMENSIONS FOR REFERENCE ONLY
 DIMENSIONS ARE IN MILLIMETERS

SHEET 1 of 1
 REV: C

REV	DATE	CHANGE	CHNG		CHK		APPR	
			PB	TD	PB	TD	SS	PB
A	6/30/00	UPDATED DRAWING						
B	11/20/02	REVISED & UPDATED						
C	6/27/08	REV. MATERIAL PLATING-ADD RHS						

6

5

4

3

2

1

D

C

B

A

D

C

B

A

6

5

4

3

2

1

MATERIAL AND FINISH:

Insulator: PBT, UL 94 V-0, color black
 Socket case: Steel 0.4 thick, Nickel plated
 Contact terminal: Brass, Tin plated
 Earth terminal: Phosphor bronze, Tin plated

ELECTRICAL SPECIFICATIONS:

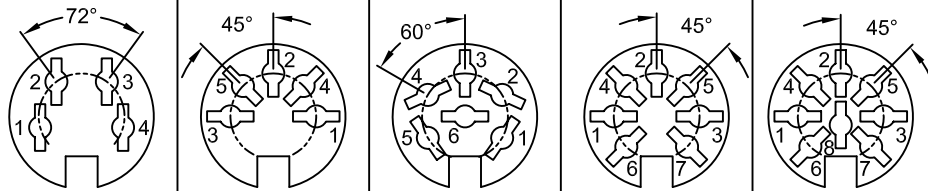
Contact resistance: 20 mohm max.
 Insulation resistance: 300 Mohm min. @ 500 VDC
 Dielectric withstanding voltage: 1000VAC for 1 minute

MECHANICAL SPECIFICATIONS:

Insertion force: 6.5 kg max.
 Withdrawal force: 1 ~ 5 kg
 Recommended panel thickness: 1.0mm

NOTES:

DS-068 shown

ARRANGEMENT OF CONTACTS MATING VIEW

P/N

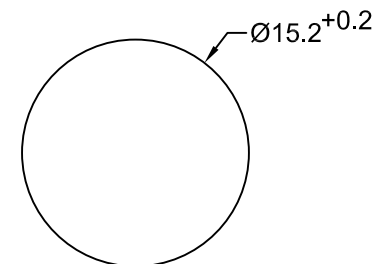
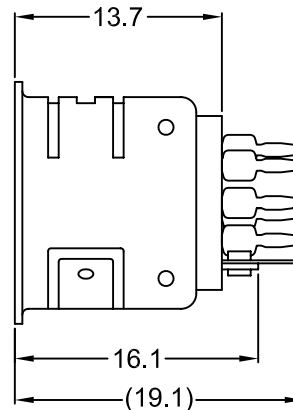
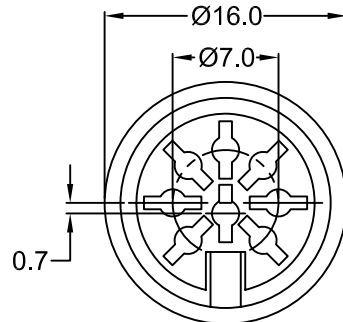
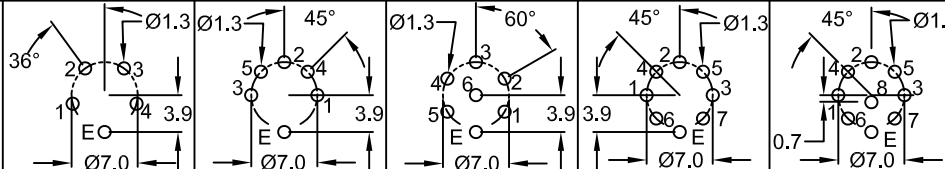
DS-064

DS-065

DS-066

DS-067

DS-068

RECOMMENDED PCB LAYOUT (TOP VIEW)

RECOMMENDED
 PANEL CUTOUT

REVISIONS

REV	DATE	CHANGE	CHNG	CHK	APPR
A	1/29/02	REV'D + ADD 5 POS.	TD	PB	PB
B	9/18/02	REVISED & UPDATED	TD	PB	PB
C	11/20/02	ADD RECOMM'D PAN THICK.	TD	PB	PB
D	10/25/05	REV. PLATING	PB	DF	PB
E	6/27/08	ADD RoHS	PB		

RoHS
 COMPLIANT

TOLERANCE
 UNLESS OTHERWISE SPECIFIED
 X ± 1
 X.X ± 0.4
 X.XX ± 0.20

Power Dynamics, Inc.

Phone: 973 560-0019 Whippany, New Jersey Fax: 973 560-0076

PART: 4 ~ 8 POSITION DIN SOCKET
 PCB MOUNT

DRAWN BY TD DATE: 2/24/99
 CHECK BY TD DATE: 2/25/99
 APPR BY SS DATE: 2/25/99

PART # **DS-06X**

SHEET
 1 of 1

SIZE: A
 SCALE: NTS

ALL DIMENSIONS FOR REFERENCE ONLY
 DIMENSIONS ARE IN MILLIMETERS

REV: E

6

5

4

3

2

1

6

5

4

3

2

1

MATERIAL AND FINISH:

Insulator: PBT, UL 94V-0 rated, color black
 Socket case: Steel 0.8 thick, Nickel plated
 Contact terminal: Brass 0.7 thick, Tin plated
 Earth terminal: Phosphor bronze 0.25 thick, Tin plated
 Rivet: Aluminum, Nickel plated

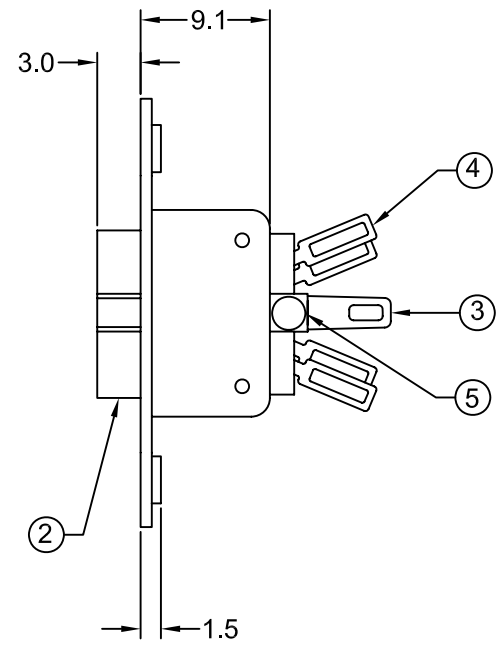
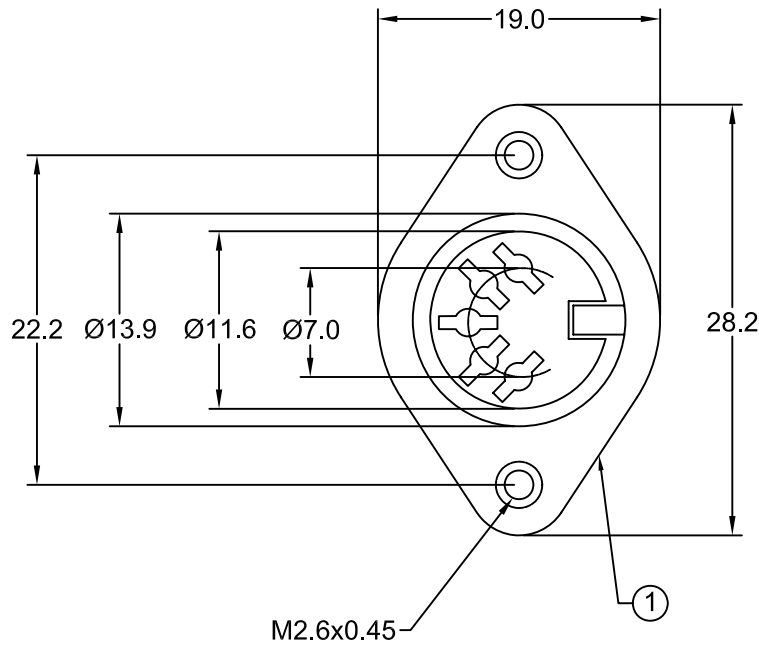
ELECTRICAL SPECIFICATIONS:

Contact resistance: 20 mohm max.
 Insulation resistance: 300 Mohm min. @ 500 VDC
 Dielectric withstanding voltage: 1000VAC for 1 minute

MECHANICAL SPECIFICATIONS:

Insertion force: 4.0 kg max.
 Withdrawal force: 1 ~ 3.5 kg

ARRANGEMENT OF CONTACTS					
P/N	DS-074	DS-075	DS-076	DS-077	DS-078
NO OF CONTACTS	4	5	6	7	8



RoHS COMPLIANT

REVISIONS	REV	DATE	CHANGE	CHKG	CHKD	APPR
	A	6/27/08	REV. PLATING; ADD RoHS	PB		

NO	PART NAME	QTY
1	SOCKET CASE	1
2	INSULATOR	1
3	EARTH TERMINAL	1
4	CONTACT TERMINAL	4-8
5	RIVET	1

TOLERANCE UNLESS OTHERWISE SPECIFIED	
X	± 1
X.X	± 0.4
X.XX	± 0.13
DRAWN BY	DF
CHECK BY	DATE: 4/21/05
APPR BY	DATE:
	DATE:

Power Dynamics, Inc.
 Phone: 973 560-0019 Whippany, New Jersey Fax: 973 560-0076

PART: 4-8 PIN DIN SOCKET FLANGE MOUNT

DS-07X

PART #: DS-07X

SIZE: A

SCALE: NTS

ALL DIMENSIONS FOR REFERENCE ONLY
 DIMENSIONS ARE IN MILLIMETERS

SHEET 1 of 1

REV: A

6

5

4

3

2

1