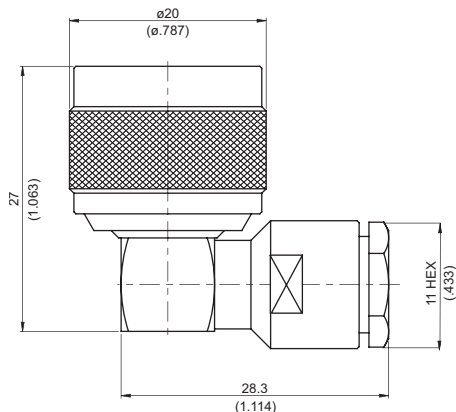
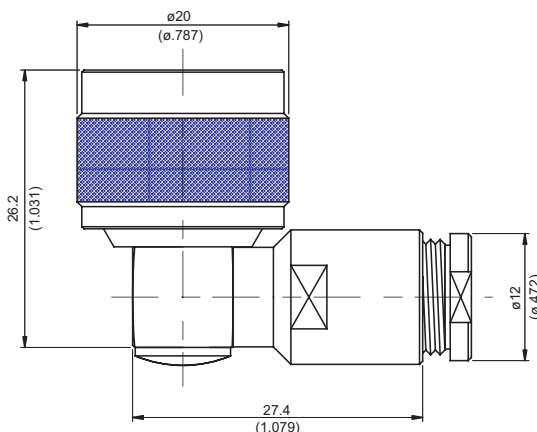


► **N PLUG CLAMP RIGHT ANGLE**



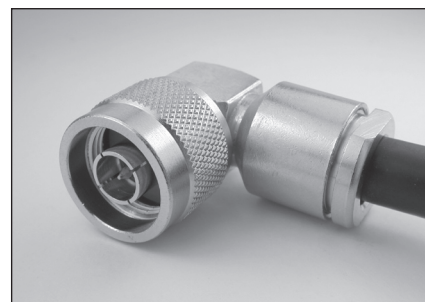
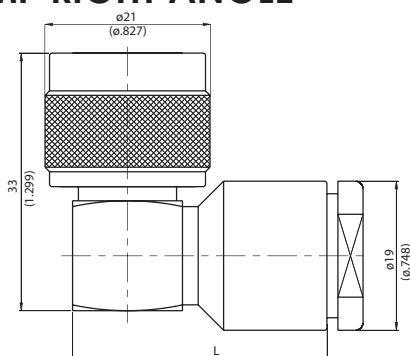
Part Number	Weight	Material	Suitable Cables	Remarks
N3200B-9058	38.32g	A11	RG55, RG142, RG142-E, RG223, RG400, RG58, JBY195	
N3200B-9059	37.50g	A11	RG59	Impedance=75ohm

► **N PLUG CLAMP RIGHT ANGLE**



Part Number	Material	Suitable Cables
N3200-95DF	A11	5DFB

► **N PLUG CLAMP RIGHT ANGLE**



Part Number	Measurements	Weight	Material	Suitable Cables	Remarks
N3200B-9008	L = 32.4 (1.276)	71.75g	A11	RG8	Impedance=75ohm
N3200B-9011	L = 32.4 (1.276)		A11	RG11	Impedance=75ohm
N3200B-9213	L = 32.4 (1.276)	70.96g	A11	RG8, RG213	
N3200B-9214	L = 37.0 (1.457)	70.79g	A11	RG214	
N3200BA-9011	L = 32.4 (1.276)		A11	RG11	Impedance=75ohm; A=Shell 20mm HEX
N3200BA-9213	L = 32.4 (1.276)		A11	RG8, RG213	A=Shell 20mm HEX
N3200BA-9214	L = 32.4 (1.276)		A11	RG214	A=Shell 20mm HEX