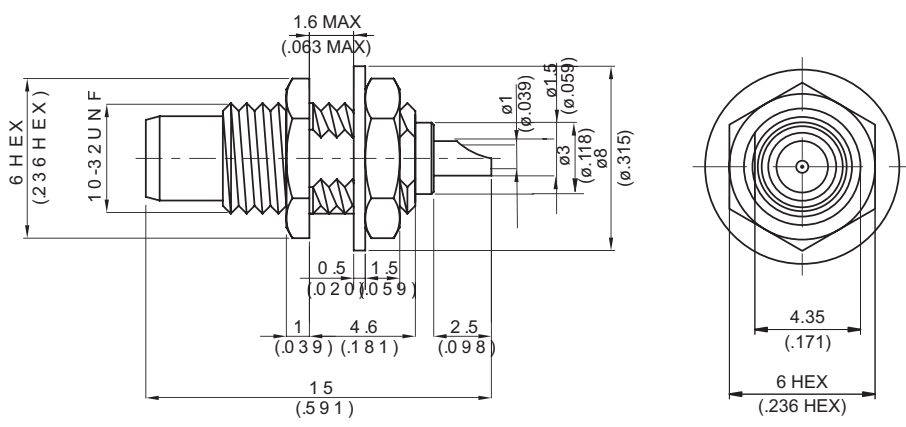
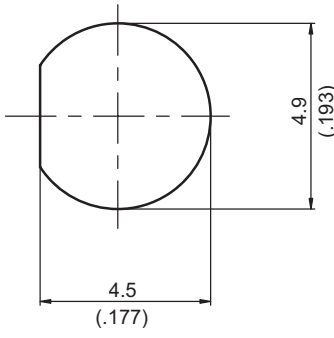


SMC8500-0000	<b>SMC Jack For Bulkhead</b>	<b>50Ω</b>																		
 <p style="text-align: center;">MOUNTING HOLE :</p> 																				
<table border="1" style="width: 100%; border-collapse: collapse; text-align: center;"> <thead> <tr> <th style="width: 15%;">Parts</th> <th style="width: 15%;">Material</th> <th style="width: 70%;">Plating (Micro-inch)</th> </tr> </thead> <tbody> <tr> <td>Hex Nut</td> <td>Brass</td> <td>Gold 5 Over Nickel 50 Over Copper 50</td> </tr> <tr> <td>Lock Washer</td> <td>Brass</td> <td>Gold 5 Over Nickel 50 Over Copper 50</td> </tr> <tr> <td>Contact Pin</td> <td>Brass</td> <td>Gold 20 Over Nickel 50 Over Copper 50</td> </tr> <tr> <td>Insulator</td> <td>Teflon</td> <td></td> </tr> <tr> <td>Body</td> <td>Brass</td> <td>Gold 5 Over Nickel 50 Over Copper 50</td> </tr> </tbody> </table>			Parts	Material	Plating (Micro-inch)	Hex Nut	Brass	Gold 5 Over Nickel 50 Over Copper 50	Lock Washer	Brass	Gold 5 Over Nickel 50 Over Copper 50	Contact Pin	Brass	Gold 20 Over Nickel 50 Over Copper 50	Insulator	Teflon		Body	Brass	Gold 5 Over Nickel 50 Over Copper 50
Parts	Material	Plating (Micro-inch)																		
Hex Nut	Brass	Gold 5 Over Nickel 50 Over Copper 50																		
Lock Washer	Brass	Gold 5 Over Nickel 50 Over Copper 50																		
Contact Pin	Brass	Gold 20 Over Nickel 50 Over Copper 50																		
Insulator	Teflon																			
Body	Brass	Gold 5 Over Nickel 50 Over Copper 50																		
<p>Weight: 1.22 g</p>																				

**This part number complies with RoHS.**

**Notice: JYEBAO reserves the right to make modifications deemed appropriate.**