

Raychem

TE Internal #: 0680693001

Hook Up Wire, FLT, 600V Voltage Rating, White Wire Color, 17AWG Wire Size, 1mm<sup>2</sup> Wire Size

[View on TE.com >](#)



Wire & Cable > Hook Up Wire



Cable Type: **FLT**

Voltage Rating: **600 V**

Wire Color: **White**

Insulation Material: **Radiation-Crosslinked, Modified Polyalkene**

Conductor Material: **Bare Copper**

## Features

### Product Type Features

Cable Style	Primary, Stranded
Product Type	Cable
Cable Type	FLT

### Configuration Features

Number of Conductors	1
Number of Strands	19

### Electrical Characteristics

Voltage Rating	600 V
----------------	-------

### Body Features

Wire Color	White
Insulation Material	Radiation-Crosslinked, Modified Polyalkene
Conductor Material	Bare Copper

### Dimensions

Overall Outside Diameter	1.625 mm[.064 in]
Wire Diameter	1.625 mm[.064 in]
Conductor Diameter	1.21 mm[.048 in]
Strand Size	30 AWG
Wire Size	1 mm <sup>2</sup>



## Product Compliance

[For compliance documentation, visit the product page on TE.com>](#)

EU RoHS Directive 2011/65/EU	Compliant
EU ELV Directive 2000/53/EC	Compliant
China RoHS 2 Directive MIIT Order No 32, 2016	No Restricted Materials Above Threshold
EU REACH Regulation (EC) No. 1907/2006	Current ECHA Candidate List: JUN 2020 (209) Candidate List Declared Against: JAN 2020 (205) Does not contain REACH SVHC
Halogen Content	Out of Scope - excluded from Halogen requirements
Solder Process Capability	Not applicable for solder process capability

### Product Compliance Disclaimer

This information is provided based on reasonable inquiry of our suppliers and represents our current actual knowledge based on the information they provided. This information is subject to change. The part numbers that TE has identified as EU RoHS compliant have a maximum concentration of 0.1% by weight in homogenous materials for lead, hexavalent chromium, mercury, PBB, PBDE, DBP, BBP, DEHP, DIBP, and 0.01% for cadmium, or qualify for an exemption to these limits as defined in the Annexes of Directive 2011/65/EU (RoHS2). Finished electrical and electronic equipment products will be CE marked as required by Directive 2011/65/EU. Components may not be CE marked. Additionally, the part numbers that TE has identified as EU ELV compliant have a maximum concentration of 0.1% by weight in homogenous materials for lead, hexavalent chromium, and mercury, and 0.01% for cadmium, or qualify for an exemption to these limits as defined in the Annexes of Directive 2000/53/EC (ELV). Regarding the REACH Regulation, the information TE provides on SVHC in articles for this part number is based on the latest European Chemicals Agency (ECHA) 'Guidance on requirements for substances in articles' posted at this URL: <https://echa.europa.eu/guidance-documents/guidance-on-reach>

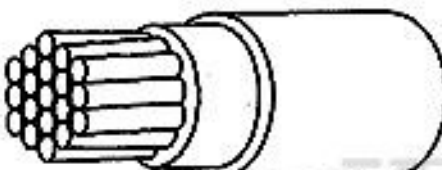
## Customers Also Bought



TE Model / Part #165563-1  
110 PIDG FASTON REC



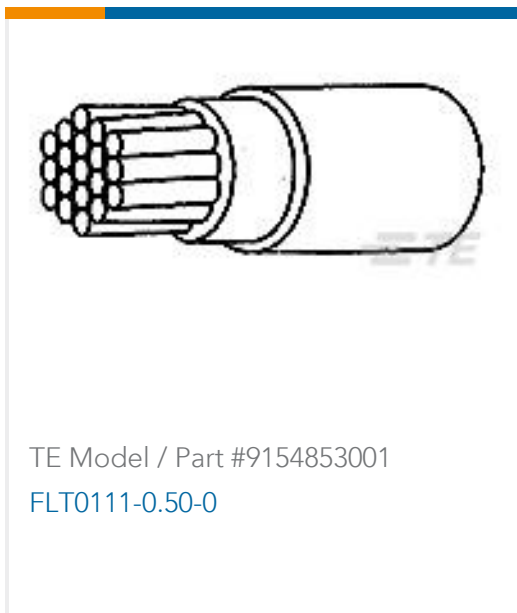
TE Model / Part #4-1879314-5  
DPL12S 24P 24DET 25K RD/GRN



TE Model / Part #5449653001  
FLT0111-0.50-9



TE Model / Part #9070953001  
FLT0111-0.50-5



## Documents

### Product Drawings

[FLT0111-1.00-9](#)

English

### Datasheets & Catalog Pages

[1654025\\_Sec9\\_FlexLite](#)

English

### Wire and Cable Overview

English