



Raychem

TE Internal #: 8811853001

Twisted Pair Cable, Spec 99M, 750VAC Voltage Rating, 24AWG

Wire Size, Operating Temperature Range -55 – 120 °C

[View on TE.com >](#)

Wire & Cable > Twisted Pair Cable



Cable Type: **Spec 99M**

Voltage Rating: **750 VAC**

Insulation Material: **Radiation-Crosslinked, Modified Polyester**

Conductor Material: **Tin-Plated Copper**

Wire Size: **24 AWG**

Features

Product Type Features

| | |
|------------|----------|
| Cable Type | Spec 99M |
|------------|----------|

Electrical Characteristics

| | |
|----------------|---------|
| Voltage Rating | 750 VAC |
|----------------|---------|

Body Features

| | |
|---------------------|-------------------------------------------|
| Insulation Material | Radiation-Crosslinked, Modified Polyester |
| Conductor Material | Tin-Plated Copper |

Dimensions

| | |
|-----------|--------|
| Wire Size | 24 AWG |
|-----------|--------|

Usage Conditions

| | |
|-----------------------------|--------------|
| Operating Temperature Range | -55 – 120 °C |
|-----------------------------|--------------|

Product Compliance

[For compliance documentation, visit the product page on TE.com>](#)

| | |
|-----------------------------------------------|---------------------------------------------|
| EU RoHS Directive 2011/65/EU | Compliant |
| EU ELV Directive 2000/53/EC | Compliant |
| China RoHS 2 Directive MIIT Order No 32, 2016 | No Restricted Materials Above Threshold |
| EU REACH Regulation (EC) No. 1907/2006 | Current ECHA Candidate List: JUN 2020 (209) |




Candidate List Declared Against: JUN 2020
(209)
Does not contain REACH SVHC

| | |
|---------------------------|------------------------------------------------|
| Halogen Content | Not Low Halogen - contains Br or Cl > 900 ppm. |
| Solder Process Capability | Not applicable for solder process capability |

Product Compliance Disclaimer

This information is provided based on reasonable inquiry of our suppliers and represents our current actual knowledge based on the information they provided. This information is subject to change. The part numbers that TE has identified as EU RoHS compliant have a maximum concentration of 0.1% by weight in homogenous materials for lead, hexavalent chromium, mercury, PBB, PBDE, DBP, BBP, DEHP, DIBP, and 0.01% for cadmium, or qualify for an exemption to these limits as defined in the Annexes of Directive 2011/65/EU (RoHS2). Finished electrical and electronic equipment products will be CE marked as required by Directive 2011/65/EU. Components may not be CE marked. Additionally, the part numbers that TE has identified as EU ELV compliant have a maximum concentration of 0.1% by weight in homogenous materials for lead, hexavalent chromium, and mercury, and 0.01% for cadmium, or qualify for an exemption to these limits as defined in the Annexes of Directive 2000/53/EC (ELV). Regarding the REACH Regulation, the information TE provides on SVHC in articles for this part number is based on the latest European Chemicals Agency (ECHA) 'Guidance on requirements for substances in articles' posted at this URL: <https://echa.europa.eu/guidance-documents/guidance-on-reach>

Compatible Parts

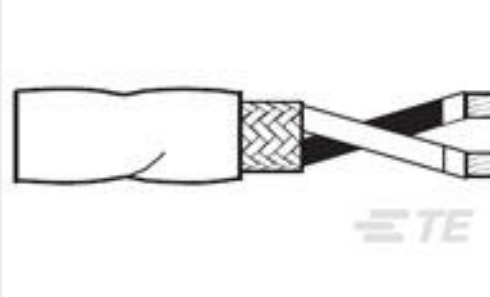


TE Model / Part # 650074-000
D-436-36

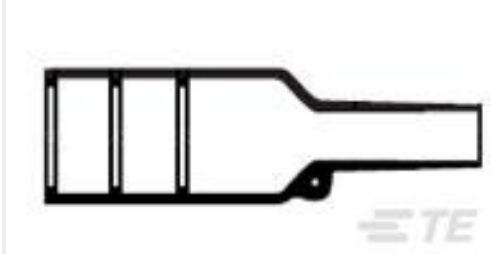
Customers Also Bought



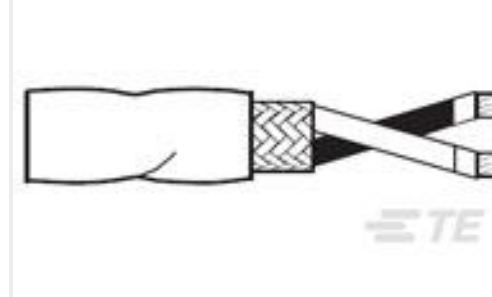
TE Model / Part #455644-000
ST18-2-55-24-9



TE Model / Part #7220453001
99M1121-22-2/6-0



TE Model / Part #016211-000
202K163-100/180-0



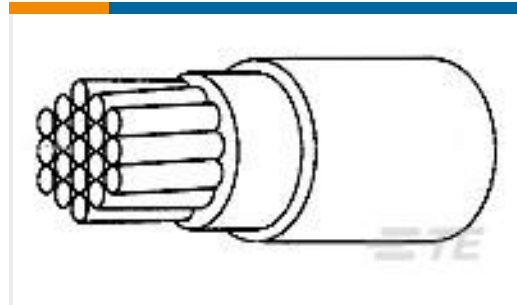
TE Model / Part #7917753001
99M1121-24-2/6-0



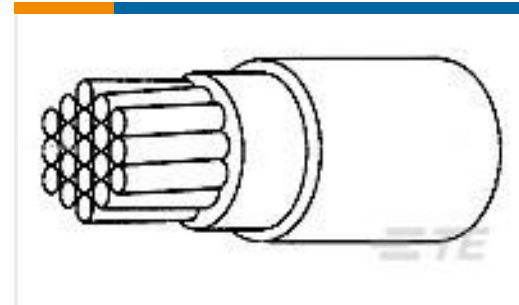
TE Model / Part #969147-000
B-150-03



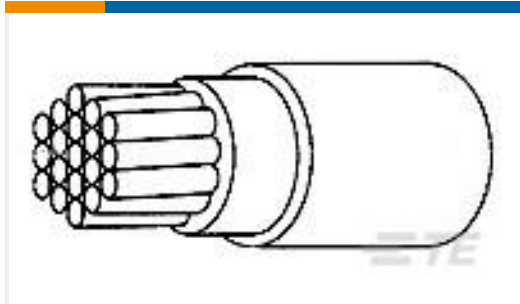
TE Model / Part #4614773001
99M0121-24-0/9



TE Model / Part #9580173001
99M0111-22-3



TE Model / Part #9307953001
99M0111-24-3



TE Model / Part #2131633001
99M0111-24-1



TE Model / Part #4400773001
7524A1311-0

Documents

Product Drawings

[99M1121-24-0/9-0](#)

English

Datasheets & Catalog Pages

[1654025_Sec9_Type99M](#)

English

[Raychem Wire and Cable Quick Reference Guide](#)

English