



**Flight II 90 - FN12C3 - 031170 - Yes**  
 (Family) (Model) (Part #) (In Stock)

### Electrical Specifications

Operating Voltage:	12 Volts
Voltage Range:	6 - 14 Volts
Power Supply:	1.5 Watts
Line Current:	0.16 Amps
Locked Rotor Current	0.32 Amps
Nominal Speed:	2261 RPM

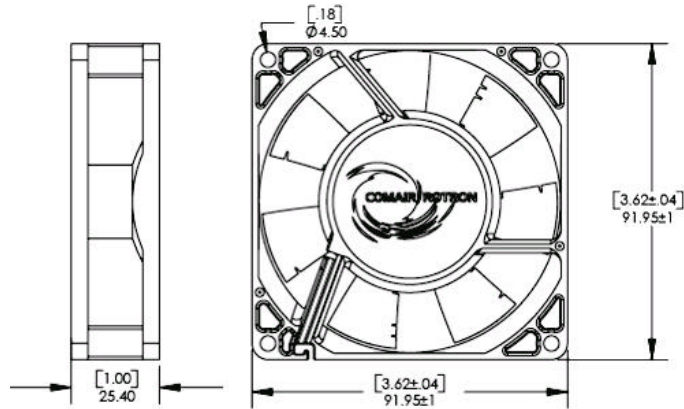


### Mechanical Specifications

Dimensions:	3.6 x 3.6 x 1.0 in
Weight	7.1 oz
Max Airflow @ 0 in H <sub>2</sub> O	37.0 CFM
Max Pressure @ 0 CFM	0.130 in H <sub>2</sub> O
Noise	34.3 dBA



### Mechanical Drawing



### Fan Performance Curve

