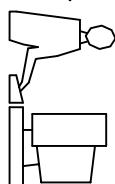


THIS IS A C.A.D. GENERATED DRAWING
DO NOT MAKE MANUAL REVISIONS TO MASTER.



ISSUE NUMBER	
ORIGINAL	①
ADD TAPE & REEL PACKAGING	②
R.STA.MONICA	OCT.29/2013
ADD FLATNESS SPECS	③
0.10	
R.STA.MONICA	NOV.25/2013

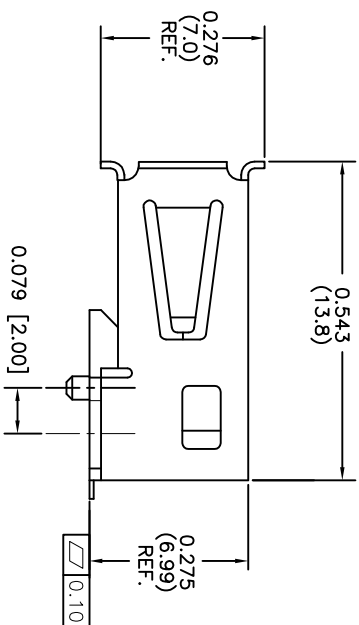
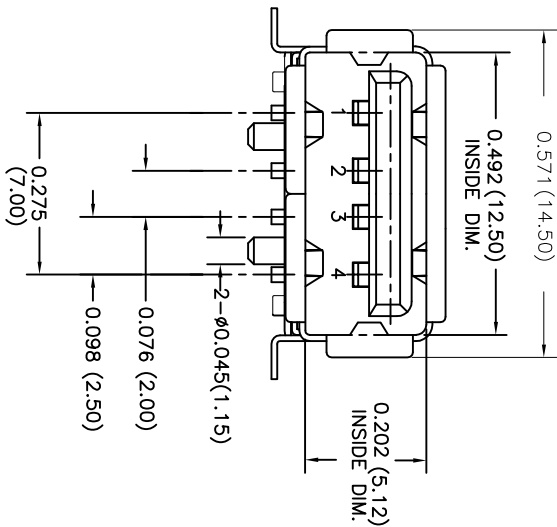
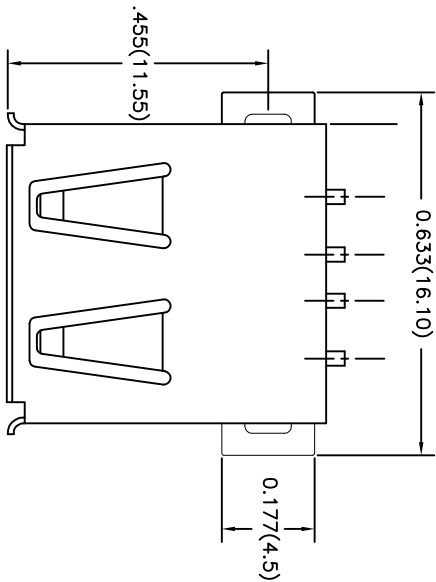
SPECIFICATIONS:

1. CURRENT RATING: 1.5 AMP AT 250V AC
2. VOLTAGE RATING: 30V
3. INSULATION RESISTANCE: 1000 MEGOHMS MIN
4. CONTACT RESISTANCE: 30 MILLIOHM MAX
5. DIELECTRIC WITHSTANDING VOLTAGE: 500V AC
6. TEMPERATURE RANGE: -20°C TO +60°C
7. MECHANICAL CHARACTERISTICS
INSERTION FORCES: 35N MAX
EXTRACTION FORCES: 10N MIN
7. DIMENSIONS: INCHES (MM)

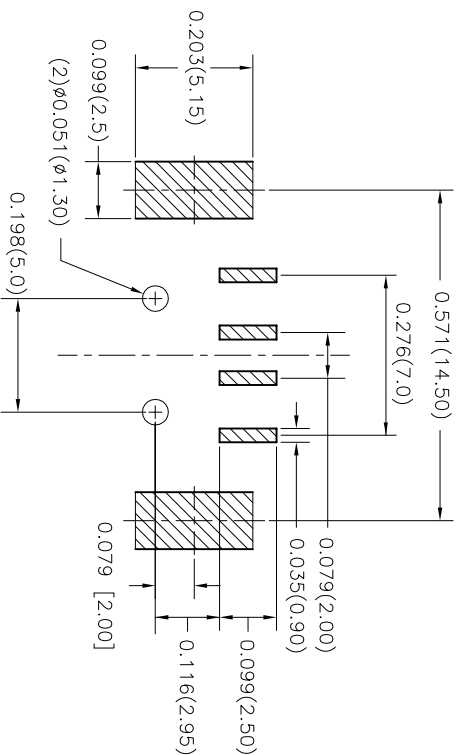
- MATERIALS:**
- SHELL: COPPER ALLOY, TIN/NICKEL PLATED
- CONTACTS: COPPER ALLOY GOLD PLATE ON CONTACT AREA
TIN ON TAIL END
- GOLD FLASH
15 MICRONS OF GOLD
30 MICRONS OF GOLD
- INSULATOR: PA6T, UL 94V-0, BLACK COLOR

PART NUMBER: 690-004-697-513

CONTACT CODE _____



THIS SERIES FULLY CONFORMS TO THE
EUROPEAN UNION DIRECTIVES 2002/95/EC
AND 2002/96/EC FOR ROHS COMPLIANCY.



PC BOARD MOUNTING DIMENSIONS

USB CONNECTOR "A" TYPE, RECEPTACLE RIGHT ANGLE
WITH POST AND SINGLE DECK (SMT)

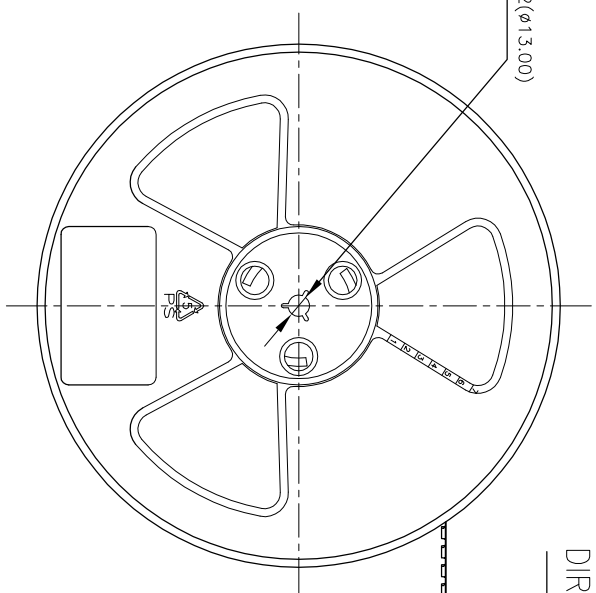
ACAD REFERENCE NO.	690-004-697-513
DRAWN: R.STA.MONICA	DATE: AUG.26/2011
CHECKED:	DATE:
SCALE: N.T.S.	SHEET 1 OF 1
DRAWING NUMBER	ISSUE
690-004-697-513	3

EDAC INC
TORONTO, ONTARIO
CANADA

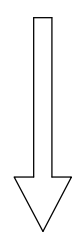
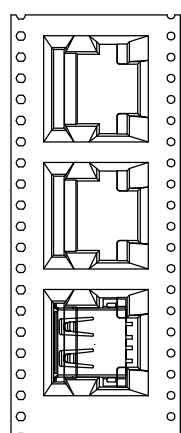
THESE DRAWINGS AND SPECIFICATIONS
ARE THE PROPERTY OF EDAC INC. AND
SHALL NOT BE REPRODUCED, OR COPIED
OR USED AS THE BASIS FOR THE
MANUFACTURE OR SALE OF APPARATUS
WITHOUT WRITTEN PERMISSION.

YOUR CONNECTION TO QUALITY & SERVICE

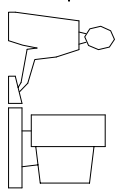
Ø0.512(Ø13.00)



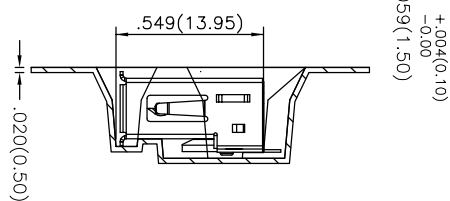
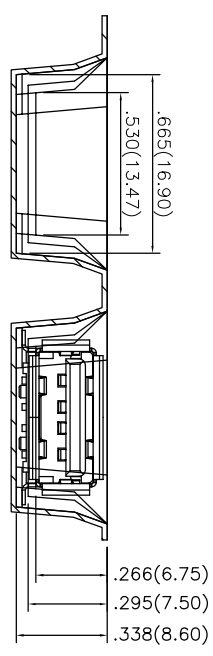
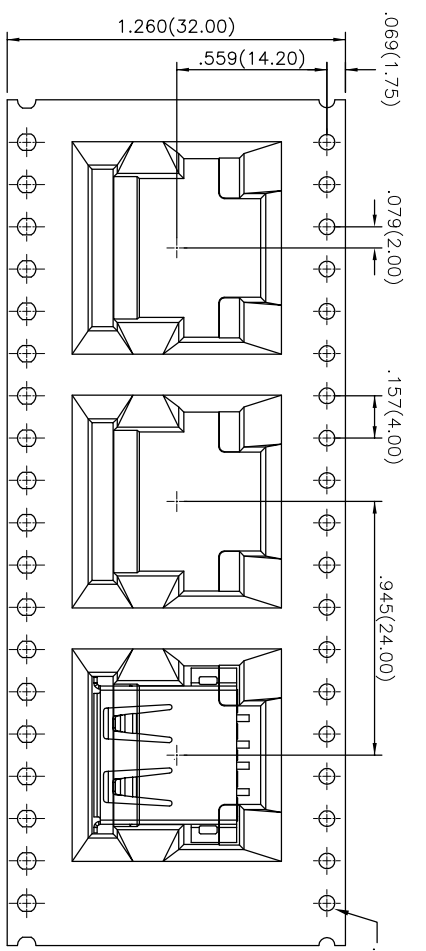
DIRECTION OF UNLOADING



THIS IS A C.A.D. GENERATED DRAWING
DO NOT MAKE MANUAL REVISIONS TO MASTER.



- TAPE AND REEL SPECIFICATIONS:
1. THE HOLE PITCH: .157±.008(4.00±0.20)
 2. THE TAPE LENGTH: 9.842(250.00), WARPING TOLERANCE: ±.039(±1.00)
 3. REEL SIZES AND DIMENSIONS ARE AS PER EIA-481-C
 4. TAPE MATERIAL: ANTISTATIC PS, BLACK COLOR, .020(0.50) THICK
 5. REEL OD: Ø13.000(Ø330.20)



USB CONNECTOR "A" TYPE, RECEPTACLE RIGHT ANGLE
WITH TAPE AND REEL PACKAGING

EDAC INC
EDAC INC
TORONTO, ONTARIO
CANADA
YOUR CONNECTION TO QUALITY & SERVICE

THESE DRAWINGS AND SPECIFICATIONS ARE THE PROPERTY OF EDAC INC. AND SHALL NOT BE REPRODUCED, OR COPIED OR USED AS THE BASIS FOR THE MANUFACTURE OR SALE OF APPARATUS WITHOUT WRITTEN PERMISSION.

ACAD REFERENCE NO.	690-004-697-513
DRAWN: R.STA.MONICA	DATE: OCT.29/2013
CHECKED:	DATE:
SCALE: N.T.S.	SHEET 1 OF 1
DRAWING NUMBER	ISSUE
690-004-697-513	3