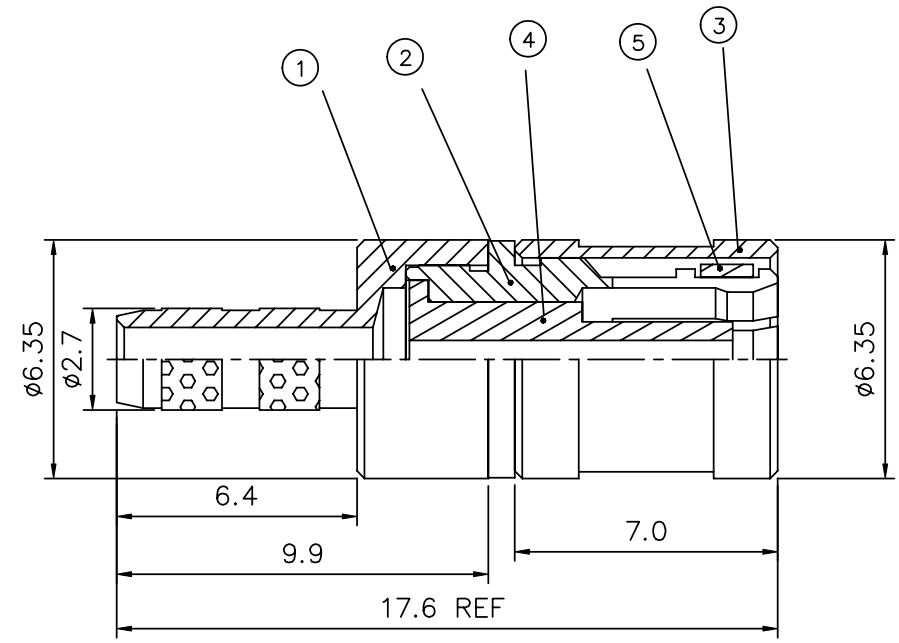
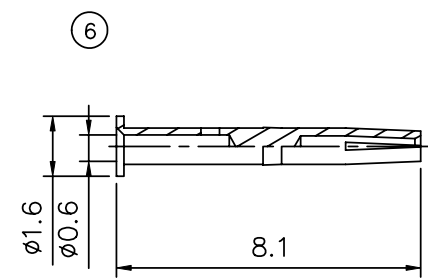
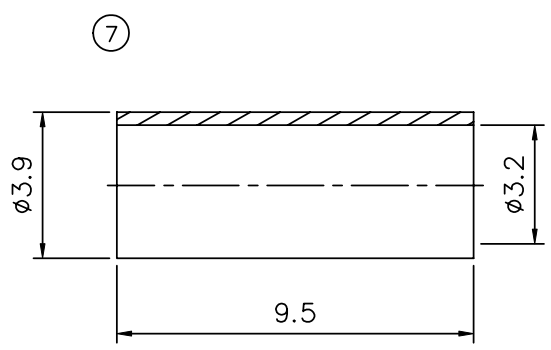


Recommended Cable Stripping Dim's



No.	Description	Material	Finish	Q'ty
7	Ring	Brass	Gold	1
6	Pin	BeCu	Gold 30u"Min.	1
5	Washer	BeCu	None	1
4	Insulator	Teflon	White	1
3	Body	Brass	Gold	1
2	Body	Brass	Gold	1
1	Body	Brass	Gold	1

RoHS Compliant

AUK A MEMBER OF AUK GROUP
太聯事業股份有限公司
AUK CONTRACTORS CO., LTD.

CATEGORY		APPROVED BY		UNLESS OTHERWISE SPECIFIED TOLERANCES ARE .XX ±0.38 .XXX ±0.25 ANG.
PART No. SMB-PCXXX50-H		MEI		
DRAWING No. SMB-PCXXX50-H		LHC		
SCALE		REV.		
NONE		A1		UNIT mm

NO.	REV.	DESCRIPTION	CHK	DATE
△A1		Modify 6.7--->6.4	EMILY	10/01/2008
△A0		NEW RELEASE		
NO.	REV.	REVISIONS	CHK	DATE